

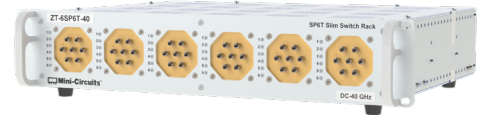


Mechanical Switch Assembly ZT-6SP6T-40

50Ω DC to 40 GHz 6 x SP6T Rack-Mount 2.92 mm Female

THE BIG DEAL

- 6 x mechanical SP6T absorptive switches
- High reliability, millions of cycles
- Software control & automation
- SSH secure Ethernet communication
- Compact rack-mountable chassis
- LED switch state indicators

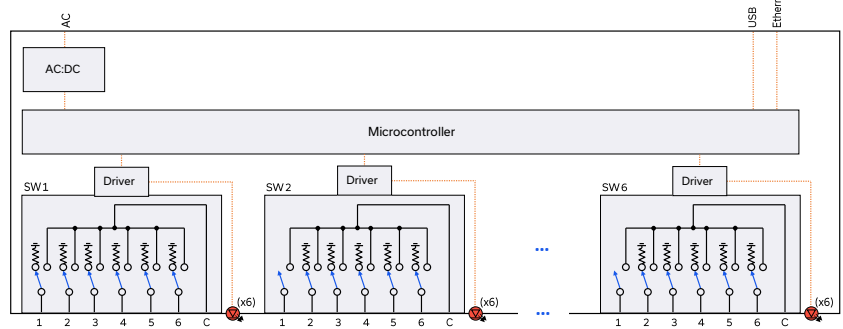


Generic photo used for illustration purposes only

APPLICATIONS

- Benchtop and rack-mounted automated test systems
- 5G FR1 & FR2, WiFi 6E, millimeter wave radio infrastructure
- Military radio, radar & electronic warfare
- Switch matrices

FUNCTIONAL BLOCK DIAGRAM



PRODUCT OVERVIEW

Mini-Circuits' ZT-6SP6T-40 houses 6 independently controlled electro-mechanical SP6T switches. Each switch operates over an exceptionally wide bandwidth from DC to 40 GHz with high isolation and low insertion loss. The absorptive switches are failsafe / normally open with a break-before-make configuration and lifetime of 2 million switching cycles when used within the noted specifications.

The switches are housed in a slim 19-inch rack chassis with all 2.92 mm (female) RF connectors on the front. LED switch state indicators on the front panel enable visual display of all switch states. The switch assembly can be controlled via USB or Ethernet (supporting SSH, HTTP and Telnet network protocols). Full software support is provided, including our user-friendly GUI application for Windows and a full API with programming instructions for Windows and Linux environments.

KEY FEATURES

Feature	Advantages
Mechanical switches	Mechanical absorptive switches provide low loss, high isolation, high reliability, repeatable performance and internal termination of input signals on the disconnected paths
Fail-safe design	The switches revert to a known default state when the DC supply is removed, allowing their use in systems that must continue to operate safely in the event of power failure
Secure Ethernet communication	Support for SSH (secure shell protocol) provides a means for secure communication over Ethernet networks with strict security policies. HTTP & Telnet communication via Ethernet are also supported.
Rack-mount chassis	Slim 2U height, 19" rack-mountable chassis minimizes the rack space required in crowded production test environments.
Integrated control & power	Easy to use on the lab bench or integrate into larger automated test systems without the need to develop custom control systems.



Mechanical Switch Assembly **ZT-6SP6T-40**

50Ω DC to 40 GHz 6 x SP6T Rack-Mount 2.92 mm Female**ELECTRICAL SPECIFICATIONS AT +25°C (EACH SWITCH)**

Parameter	Conditions	Min.	Typ.	Max.	Units
Frequency		DC		40	MHz
Path Loss	DC - 12 GHz		0.2	0.4	dB
	12 - 26 GHz		0.4	0.7	
	26 - 40 GHz		0.7	1.1	
Isolation (Inactive Paths) ¹	DC - 12 GHz	60	90		dB
	12 - 26 GHz	55	80		
	26 - 40 GHz	50	65		
Return Loss ²	DC - 12 GHz		23		dB
	12 - 26 GHz		17		
	26 - 40 GHz		14		
Switching Time			25		ms
RF Input Power (Cold Switching)	DC - 12 GHz			20	dB
	12 - 26 GHz			10	
	26 - 40 GHz			5	
	Into internal termination ³			1	
Switch Lifetime	100 mW hot switching ⁴	2			million cycles
	1 W hot switching		1		

1. Isolation measured between Com and any disconnected port. Example: Isolation for Com to 1 is the leakage measured at port 1 from a signal input at Com when the active switch path is set to Com to 2
2. Return loss into Com when active or ports 1-6 in any state; Com is reflective when disconnected
3. Maximum power into any internal termination is 1W per port, 3W total per switch
4. Hot switching power above this level will degrade the switch lifetime



Mechanical Switch Assembly **ZT-6SP6T-40**

50Ω DC to 40 GHz 6 x SP6T Rack-Mount 2.92 mm Female**CONTROL INTERFACES**

Ethernet Control	Supported Protocols	TCP / IP, SSH, HTTP, Telnet, DHCP, UDP (limited)
	Max Data Rate	100 Mbps (100 Base-T Full Duplex)
USB Control	Supported Protocols	HID – High Speed
	Min Communication Time ⁵	400 μs typ

5. Based on the polling interval of the USB HID protocol (1 ms with 64 bytes per packet) and no other significant CPU or USB activity

SOFTWARE & DOCUMENTATION

Mini-Circuits' full software and support package including user guide, Windows GUI, API, programming manual and examples can be downloaded free of charge (refer to the last page for the download path).

A comprehensive set of software control options is provided:

- GUI for Windows – Simple software interface for control via Ethernet and USB
- Programming / automation via Ethernet
 - Complete set of control commands which can be sent via any supported protocol – simple to implement in the majority of modern programming environments
- Programming / automation via USB
 - DLL files provide a full API for Windows with a set of intuitive functions which can be implemented in any programming environment supporting .Net Framework or ActiveX
 - Direct USB programming is possible in any other environment (not supporting .Net or ActiveX)

Please contact testsolutions@minicircuits.com for support

MINIMUM SYSTEM REQUIREMENTS

Hardware	Intel i3 (or equivalent) or later
GUI (USB or Ethernet Control)	Windows 7 or later
USB API DLL	Windows 7 or later with support for Microsoft .Net Framework or ActiveX
USB Direct Programming	Windows 7 or later; Linux
Ethernet	Windows, Linux or macOS with Ethernet TCP / IP support

PROGRAMMING COMMANDS

The key ASCII / SCPI commands for control of the system for control via the Ethernet or USB API are summarized below (refer to the programming manual for full details):

Command / Query	Description
:MN?	Read model name
:SN?	Read serial number
:FIRMWARE?	Read firmware version
:SP6T:[sw_label]:STATE:[port]	Set a single path: <ul style="list-style-type: none"> • [sw_label] = Switch number (1 to 6) • [port] = The port to be connected to Com of the specified switch (1 to 6) • Example :SP6T:1:STATE:2
:SP6T:[sw_label]:STATE?	Get the state of all switches: <ul style="list-style-type: none"> • [sw_label] = Switch number (1 to 6) • Example :SP6T:1:STATE?

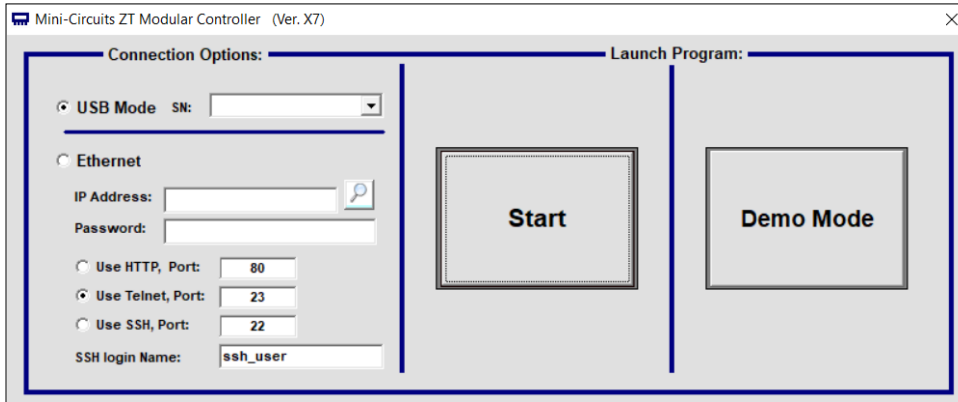


Mechanical Switch Assembly ZT-6SP6T-40

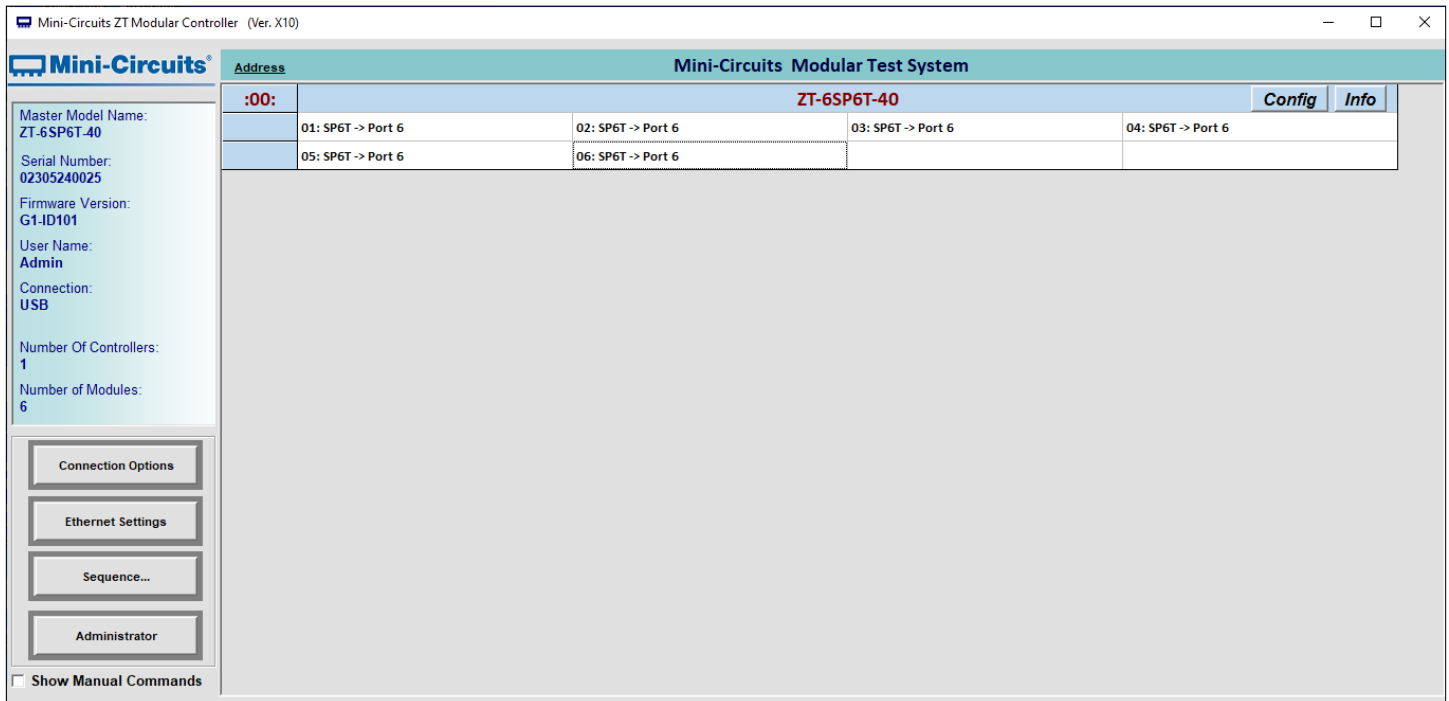
50Ω DC to 40 GHz 6 x SP6T Rack-Mount 2.92 mm Female

GRAPHICAL USER INTERFACE (GUI) FOR WINDOWS

- Connect via USB or Ethernet
- Run GUI in "demo mode" to evaluate software without a hardware connection



- View and set all switch states at the click of a button
- Configure automated switching sequences
- Define custom switch and port labels
- Set switch power-up states
- Configure Ethernet settings
- Update firmware

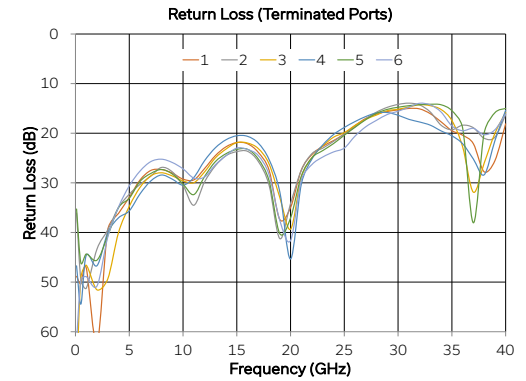
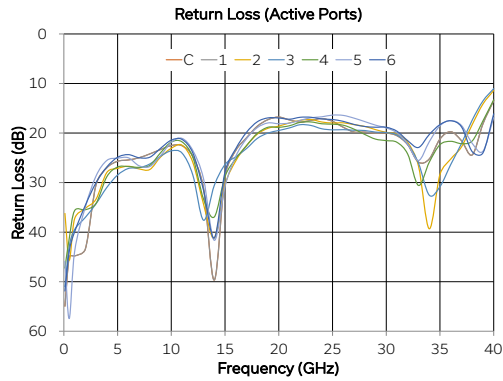
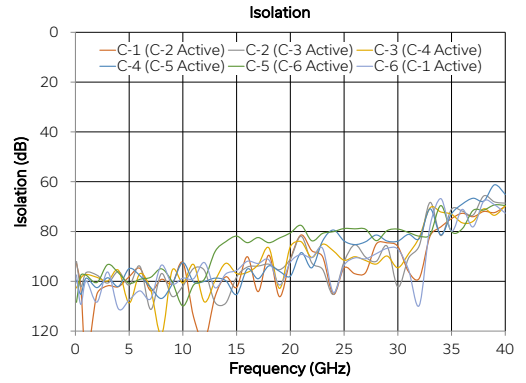
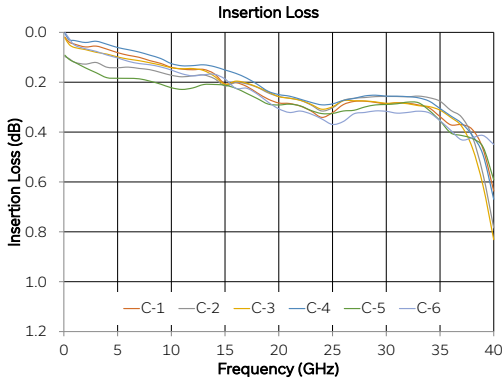




Mechanical Switch Assembly ZT-6SP6T-40

50Ω DC to 40 GHz 6 x SP6T Rack-Mount 2.92 mm Female

TYPICAL PERFORMANCE GRAPHS





Mechanical Switch Assembly ZT-6SP6T-40

50Ω DC to 40 GHz 6 x SP6T Rack-Mount 2.92 mm Female

ABSOLUTE MAXIMUM RATINGS

Parameter	Conditions	Limits	Units
Temperature	Operating	0 to +50	°C
	Storage	-20 to +60	
Input Power (No Damage)	Cold switching		W
	DC-12 GHz	20	
	12-26 GHz	10	
	26-40 GHz	5	
	Hot switching	1	
	Into internal termination	1	

Permanent damage may occur if any of these limits are exceeded. Operating in the range between operating power limits and absolute maximum ratings for extended periods of time may result in reduced life and reliability.

POWER SUPPLY

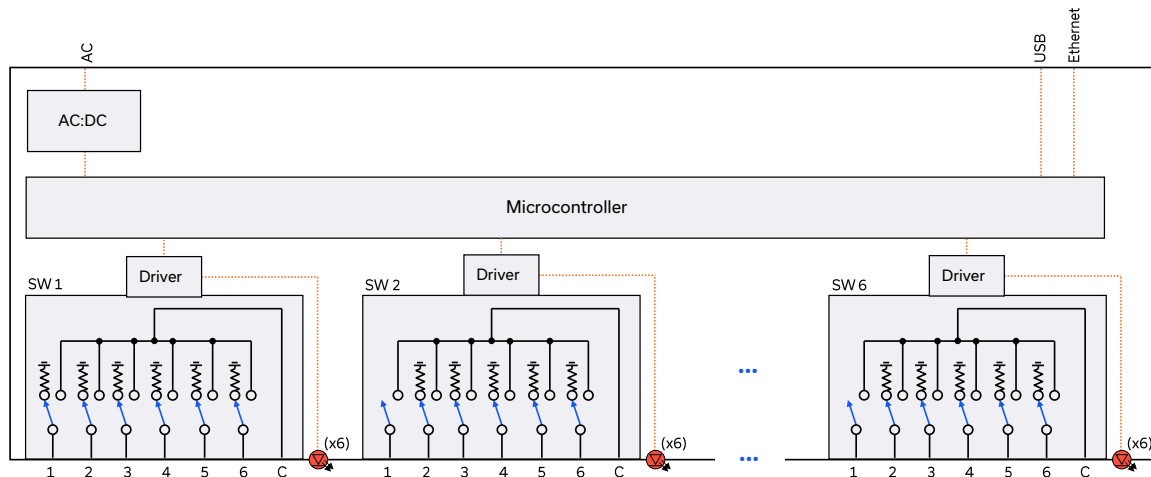
Power Supply	AC mains input: 100-240 V, 50 / 60 Hz
Fuse	2A, 250V rating
Power Consumption	150W maximum

CONNECTIONS

Port	Connector
C & 1-6 (each SP6T)	2.92 mm female
USB	USB type B
Ethernet / LAN	RJ45
AC Input	IEC C14 inlet

C = Common port
1-6 = input / output ports

FUNCTIONAL BLOCK DIAGRAM



SWITCH STATE TABLE (EACH SWITCH)

Switch Command	Switch x State	Switch x LED State					
		LED1	LED2	LED3	LED4	LED5	LED6
:SP6T:[x]:STATE:0	All ports disconnected (C open; 1-6 terminated)	Off	Off	Off	Off	Off	Off
:SP6T:[x]:STATE:1	C to 1	On	Off	Off	Off	Off	Off
:SP6T:[x]:STATE:2	C to 2	Off	On	Off	Off	Off	Off
:SP6T:[x]:STATE:3	C to 3	Off	Off	On	Off	Off	Off
:SP6T:[x]:STATE:4	C to 4	Off	Off	Off	On	Off	Off
:SP6T:[x]:STATE:5	C to 5	Off	Off	Off	Off	On	Off
:SP6T:[x]:STATE:6	C to 6	Off	Off	Off	Off	Off	On

x = switch number (1 to 6)

POWER-UP OPTIONS

Mode	Initial Switch Paths
Default	All switches power up in the default state (all ports disconnected)
Last States	All switches resume the previous state from the point of last power supply disconnection

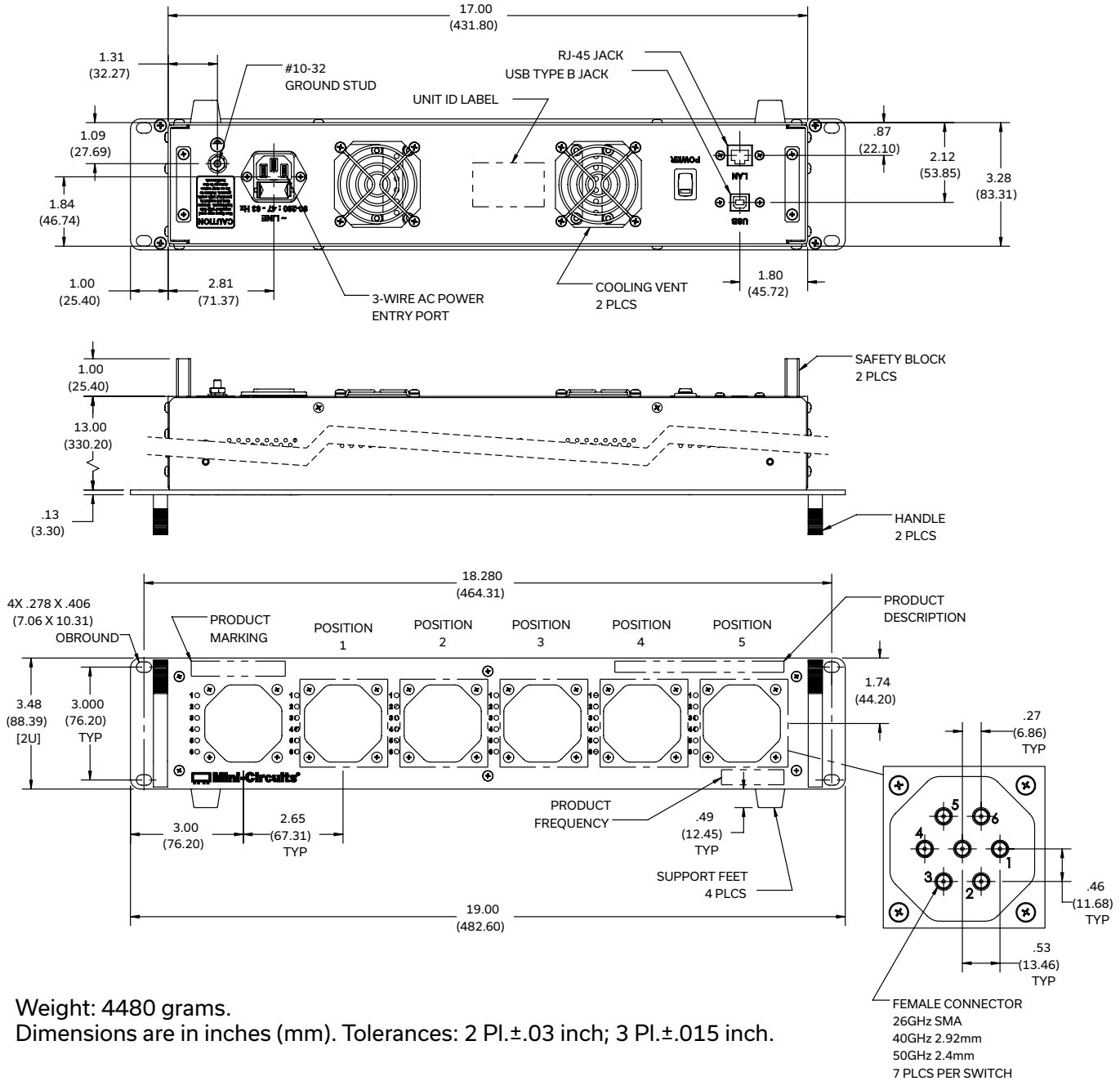
All switches revert to the default state when the power supply is turned off or disconnected



Mechanical Switch Assembly ZT-6SP6T-40

50Ω DC to 40 GHz 6 x SP6T Rack-Mount 2.92 mm Female

CASE STYLE DRAWING



Weight: 4480 grams.

Dimensions are in inches (mm). Tolerances: 2 Pl.±.03 inch; 3 Pl.±.015 inch.

PRODUCT MARKING*

Product Marking: ZT-6SP6T-40

Product Description: SP6T Slim Switch Rack

Product Frequency: DC-40 GHz

Unit ID Label: Serial number and other identification marks

*Marking may contain other features or characters for internal lot control






Mechanical Switch Assembly **ZT-6SP6T-40**

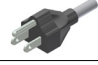




50Ω DC to 40 GHz 6 x SP6T Rack-Mount 2.92 mm Female

DETAILED MODEL INFORMATION IS AVAILABLE ON OUR WEBSITE [CLICK HERE](#)

Case Style	BAJ3229	
Software, User Guide & Programming Manual	https://www.minicircuits.com/softwaredownload/ztm_ztm2.html	
Environmental Rating	ENV55	
Regulatory Compliance	Refer to our website for compliance methodologies and qualifications 	www.minicircuits.com/quality/environmental_introduction.html

Contact Us: testsolutions@minicircuits.com

Included Accessories	Part Number	Description
	USB-CBL-AB-7+	USB cable (6.8ft) type A to type B
	CBL-RJ45-MM-5+	Ethernet cable (5 ft)
	HT-4-SMA	SMA connector wrench (4" length)
	CBL-3W-xx	AC power cord (IEC C13 connector to local plug) Select one option from the list below. Please contact testsolutions@minicircuits.com if your region is not listed.

AC Power Cord Options	Part Number	Description
	CBL-3W-US	USA NEMA 5-15 plug (type B) to IEC C13 connector
	CBL-3W-EU	Europe CEE 7/7 plug (type E/F) to IEC C13 connector
	CBL-3W-UK	UK BS-1363 plug (type G) to IEC C13 connector
	CBL-3W-AU	Australia & China AS/NZS 3112 plug (type I) to IEC C13 connector
	CBL-3W-IL	Israel SI-32 plug (type H) to IEC C13 connector

- NOTES
- A. Performance and quality attributes and conditions not expressly stated in this specification document are intended to be excluded and do not form a part of this specification document.
 - B. Electrical specifications and performance data contained in this specification document are based on Mini-Circuit's applicable established test performance criteria and measurement instructions.
 - C. The parts covered by this specification document are subject to Mini-Circuits standard limited warranty and terms and conditions (collectively, "Standard Terms"); Purchasers of this part are entitled to the rights and benefits contained therein. For a full statement of the standard terms and the exclusive rights and remedies thereunder, please visit Mini-Circuits' website at www.minicircuits.com/terms/viewterm.html