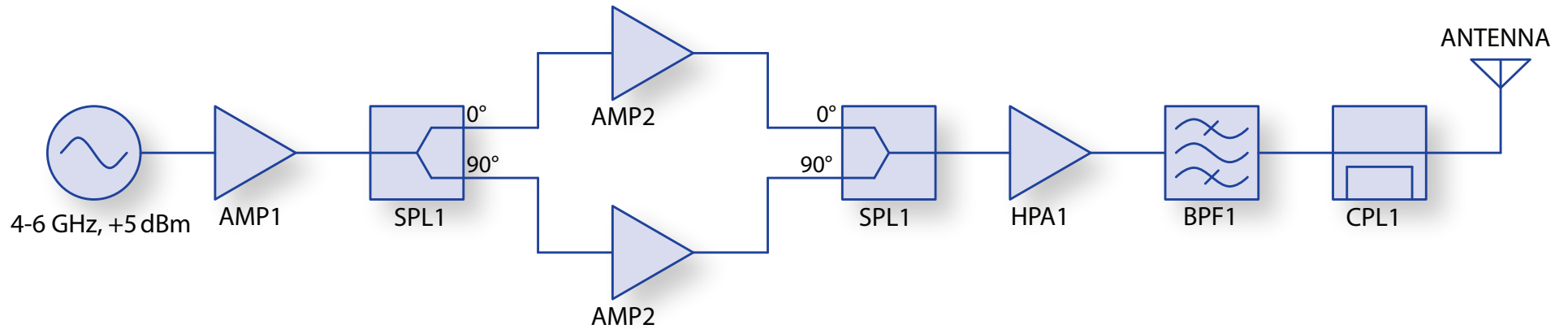


4-6 GHz AMPLIFIER



Schematic Part No.	Sample Mini-Circuits Model Families
AMP1, AMP2	PHA , PGA , GVA , GALI , LEE , ERA ,
BPF1	BFCN
CPL1	SYBD , SCBD , CPL
HPA1	GVA (up to 1 watt)
OSC1	SSG series
SPL1	EP2W , GP2X , EP2C , EP2K