



COAXIAL

# Adapter

## 10F-135M+

50Ω DC to 90 GHz 1.0 mm-Female to 1.35 mm-Male

### KEY FEATURES

- Wideband, DC to 90 GHz
- Low Insertion Loss, 0.26 dB Typ.
- Excellent VSWR, 1.06:1 Typ.
- Straight Body



Generic photo used for illustration purposes only

### PRODUCT OVERVIEW

Mini-Circuits' 10F-135M+ is a coaxial 1.0 mm Female to 1.35 mm Male adapter supporting a wide range of applications from DC to 90 GHz. This model provides excellent VSWR and low insertion loss versus frequency. The 10F-135M+ features passivated stainless-steel construction and measures only 0.62" in length.

### ELECTRICAL SPECIFICATIONS AT +25°C

Parameter	Frequency (GHz)	Min.	Typ.	Max.	Units
Frequency Range		DC		90	GHz
Insertion Loss	0.01-30	-	0.12	0.66	dB
	30-60	-	0.25	0.66	
	60-90	-	0.40	0.66	
VSWR	0.01-30	-	1.04	1.32	:1
	30-60	-	1.06	1.32	
	60-90	-	1.09	1.32	

### ABSOLUTE MAXIMUM RATINGS<sup>1</sup>

Operating Case Temperature	-55°C to +100°C
Storage Temperature	-55°C to +100°C

1. Permanent damage may occur if any of these limits are exceeded.



COAXIAL

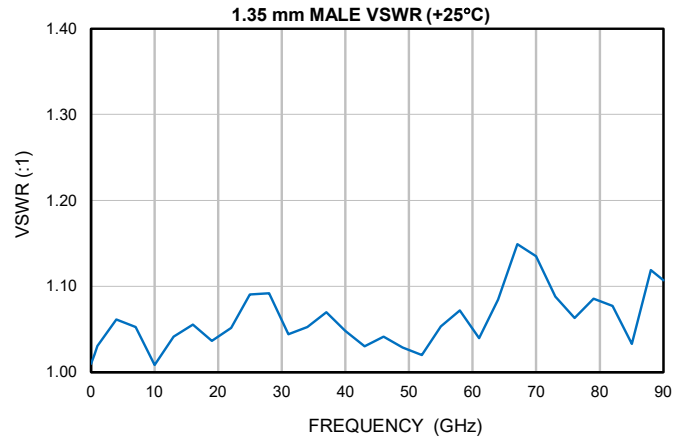
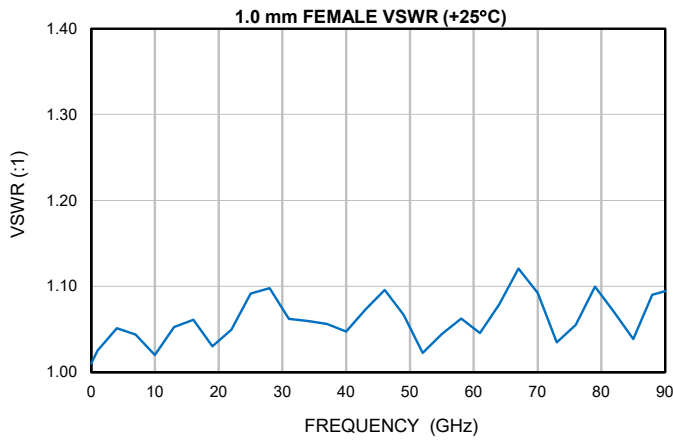
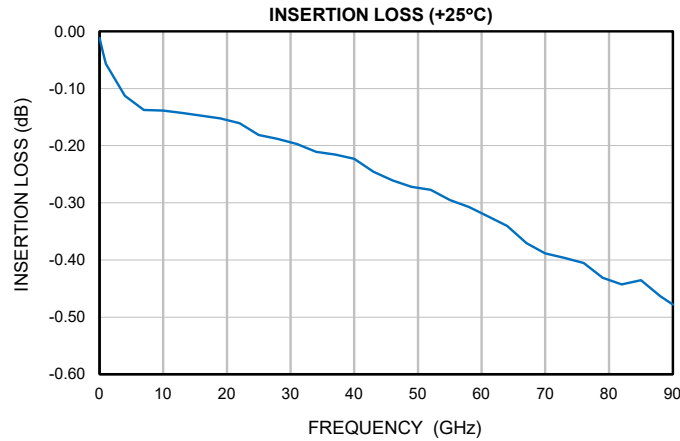
# Adapter

10F-135M+

Mini-Circuits

50Ω DC to 90 GHz 1.0 mm-Female to 1.35 mm-Male

## TYPICAL PERFORMANCE GRAPHS





COAXIAL

# Adapter

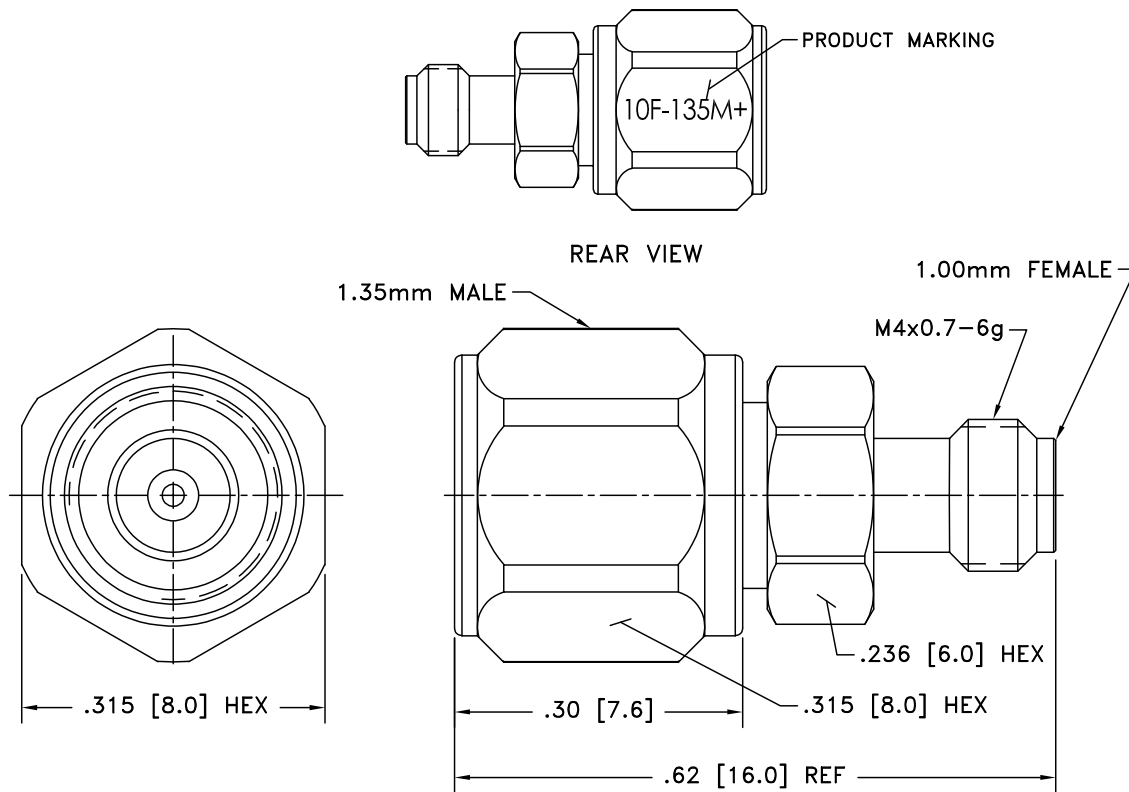
## 10F-135M+

50Ω DC to 90 GHz 1.0 mm-Female to 1.35 mm-Male

### CONNECTOR SPECIFICATIONS

Description	Connector 1	Connector 2
Connector Type	1.0 mm Female	1.35 mm Male
Orientation	Straight	Straight

### CASE STYLE DRAWING



Weight: 2.9 grams

Dimensions are in inches [mm]. Tolerances: 2 Pl.  $\pm .03$ ; 3 Pl.  $\pm .015$  inches

**PRODUCT MARKING\*:** 10F-135M+

\*Marking may contain other features or characters for internal lot control.





COAXIAL

# Adapter

## 10F-135M+

Mini-Circuits

50Ω DC to 90 GHz 1.0 mm-Female to 1.35 mm-Male

ADDITIONAL INFORMATION IS AVAILABLE ON OUR DASHBOARD [CLICK HERE](#)

Performance Data & Graphs	Data Graphs S-Parameter (S2P Files) Data Set (.zip file)
Case Style	DJ3602-4
RoHS Status	Compliant
Environmental Ratings	ENV89

- NOTES**
- A. Performance and quality attributes and conditions not expressly stated in this specification document are intended to be excluded and do not form a part of this specification document.
  - B. Electrical specifications and performance data contained in this specification document are based on Mini-Circuit's applicable established test performance criteria and measurement instructions.
  - C. The parts covered by this specification document are subject to Mini-Circuits standard limited warranty and terms and conditions (collectively, "Standard Terms"); Purchasers of this part are entitled to the rights and benefits contained therein. For a full statement of the standard terms and the exclusive rights and remedies thereunder, please visit Mini-Circuits' website at [www.minicircuits.com/terms/viewterm.html](http://www.minicircuits.com/terms/viewterm.html)

