

PRODUCT CHANGE NOTICE

PCN Form (D4-E000-73)

PCN25-006

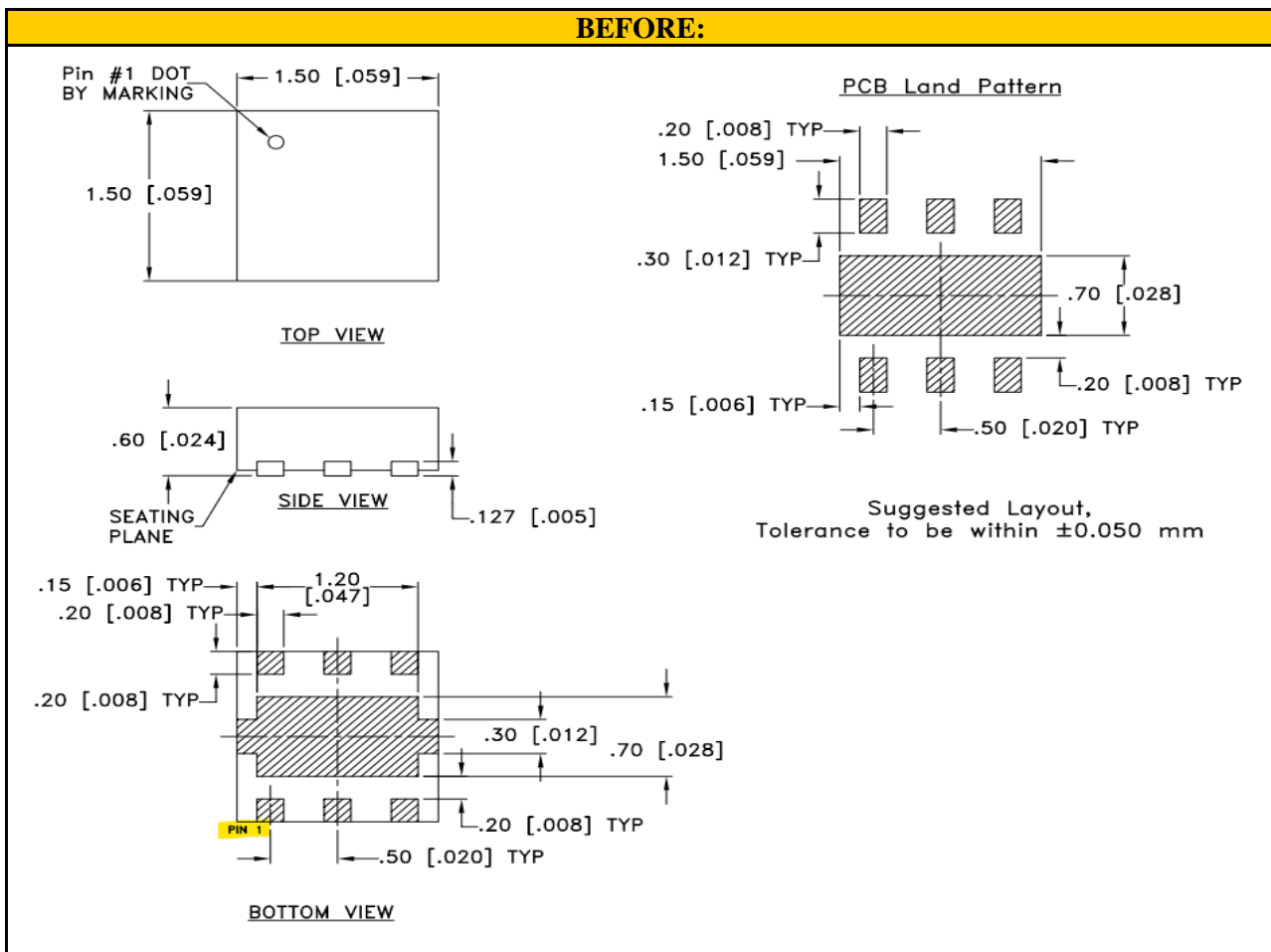
NOTIFICATION DATE: February 24, 2025

MODELS AFFECTED

BAT-0+	BAT-10+
BAT-2+	BAT-15+
BAT-5+	BAT-30+
BAT-6+	PMA1-14LN+
BAT-7+	

EXTENT OF CHANGE:

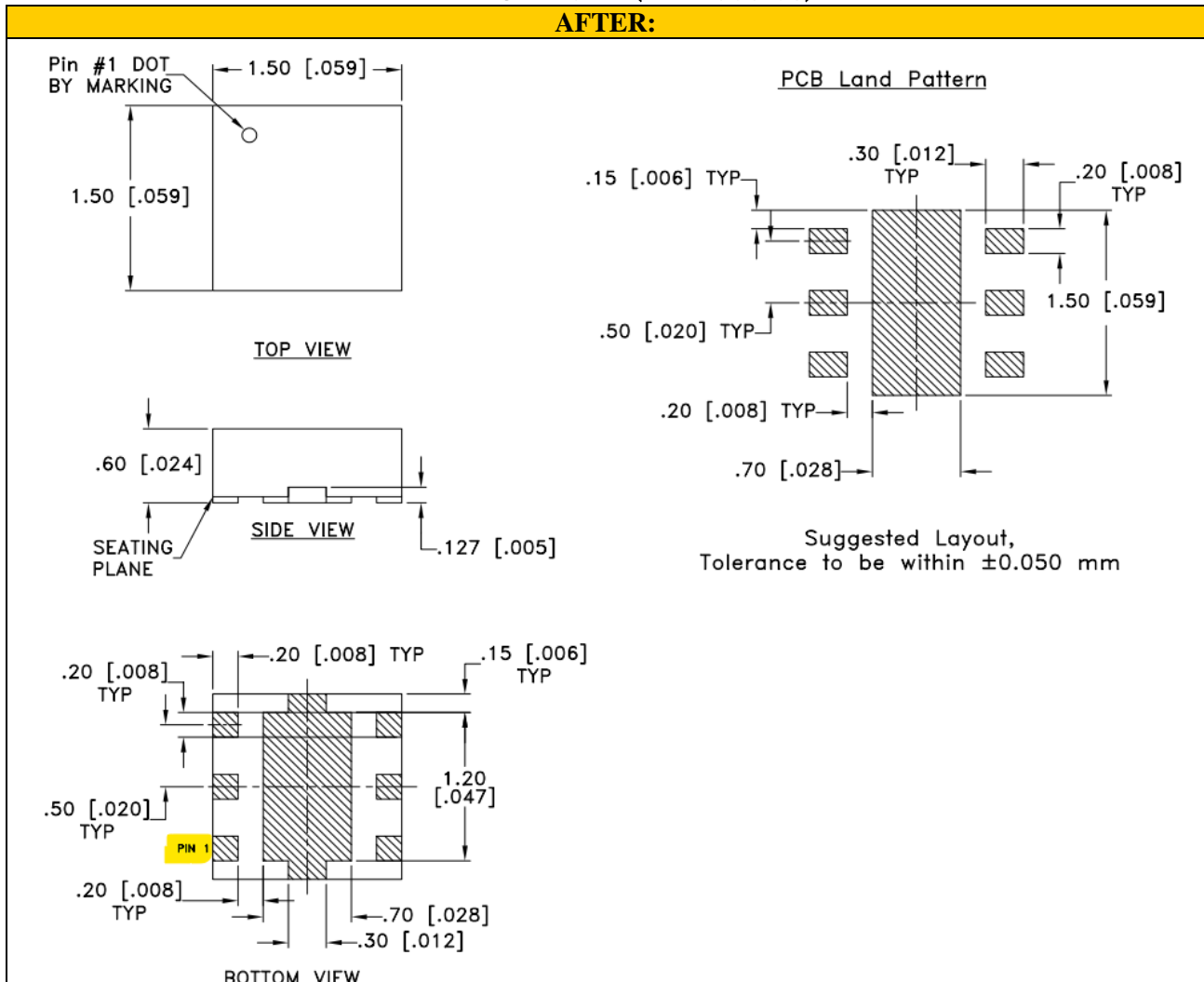
Correction of typo on Web Datasheet for PIN 1 Location



PRODUCT CHANGE NOTICE

PCN Form (D4-E000-73)

AFTER:



EFFECT OF CHANGE:

No physical change to the device FIT, FORM or FUNCTION. Correction of drawing

REASON FOR CHANGE:

Correction of Error in original web datasheet

EFFECTIVE DATE OF CHANGE:

Immediate

QUESTIONS?

[PLEASE CONTACT US.](#)