



PRODUCT CHANGE NOTICE
PCN Form (D4-E000-73)

PCN #06-003

NOTIFICATION DATE: July 26, 2006

MODELS AFFECTED:

TC Gold Plated Series of RoHS Transformers

EXTENT OF CHANGE:

Enable use of alternate substrate on TC gold plated series of RoHS transformers

EFFECT OF CHANGE:

Minor modification of substrate form (see drawings).
No change in internal components, processes, customer footprint, fit, or function.

REASON FOR CHANGE:

Provide greater manufacturing capabilities using an industry accepted substrate.

EFFECTIVE DATE OF CHANGE:

Immediate

DELIVERY:

Parts using either substrate may be shipped.

ATTACHMENTS:

Case style drawings AT224 & AT224-3

QUESTIONS?

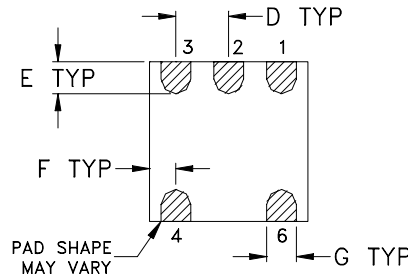
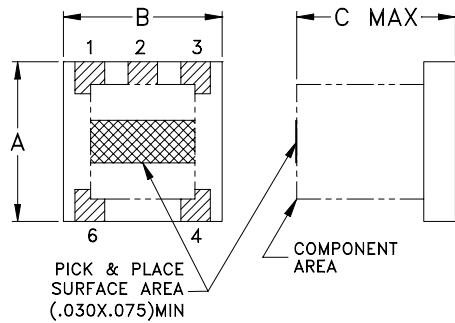
PLEASE CONTACT US.

ISO 9001 CERTIFIED

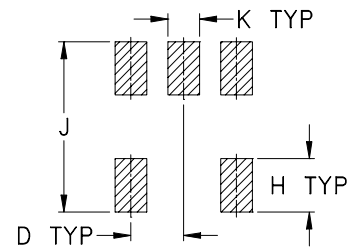
Upd. 7/31/06

Outline Dimensions

AT224



PCB Land Pattern



Suggested Layout,
Tolerance to be within $\pm.002$

CASE #	A	B	C	D	E	F	G	H	J	K	L	WT. GRAMS
AT224	.150 (3.81)	.150 (3.81)	.150 (3.81)	.050 (1.27)	.030 (0.76)	.025 (0.64)	.028 (0.71)	.065 (1.65)	.190 (4.83)	.030 (0.76)	-- --	.10

Dimensions are in inches (mm). Tolerances: 2 Pl. $\pm .01$; 3 Pl. $\pm .005$

Notes:

- Open style, ceramic base.
- Termination finish:
For RoHS Case Styles: 2-10 μ inch Gold over 100-300 μ inch Nickel plate.
For RoHS-5 Case Styles: Tin-Lead plate.

Mini-Circuits

INTERNET <http://www.minicircuits.com>

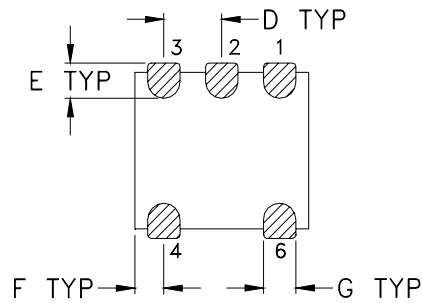
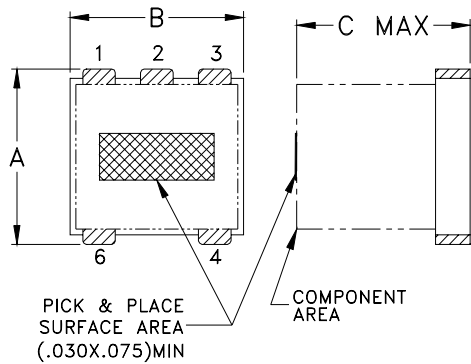
P.O. Box 350166, Brooklyn, New York 11235-0003 (718) 934-4500 Fax (718) 332-4661

Distribution Centers NORTH AMERICA 800-654-7949 • 417-335-5935 • Fax 417-335-5945 • EUROPE 44-1252-832600 • Fax 44-1252-837010

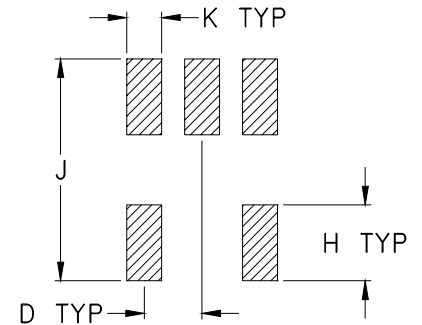
Mini-Circuits ISO 9001 & ISO 14001 Certified

Outline Dimensions

AT224-3



PCB Land Pattern



Suggested Layout,
Tolerance to be within $\pm .002$

CASE #	A	B	C	D	E	F	G	H	J	K	L	WT. GRAMS
AT224-3	.150 (3.81)	.150 (3.81)	.150 (3.81)	.050 (1.27)	.030 (0.76)	.025 (0.64)	.028 (0.71)	.065 (1.65)	.190 (4.83)	.030 (0.76)	-- --	.10

Dimensions are in inches (mm). Tolerances: 2 Pl. $\pm .01$; 3 Pl. $\pm .005$

Notes:

1. Open style, ceramic base.
2. Termination finish: 3.15-5.12 μ inch Gold over 78-236 μ inch Nickel plate.