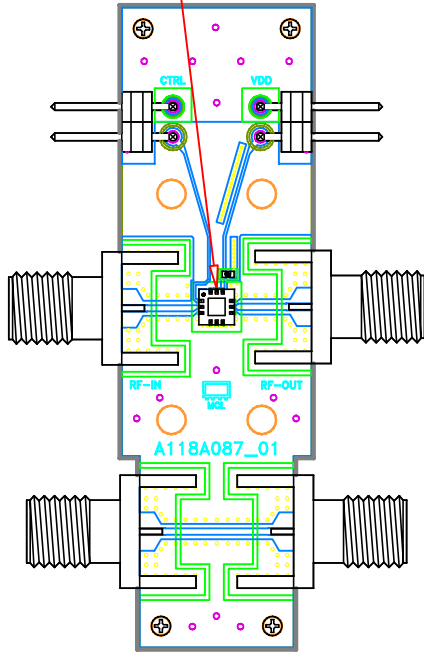


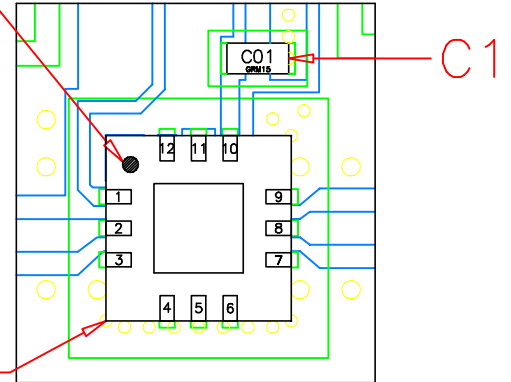
Evaluation Board and Circuit

SEE DETAIL "A"

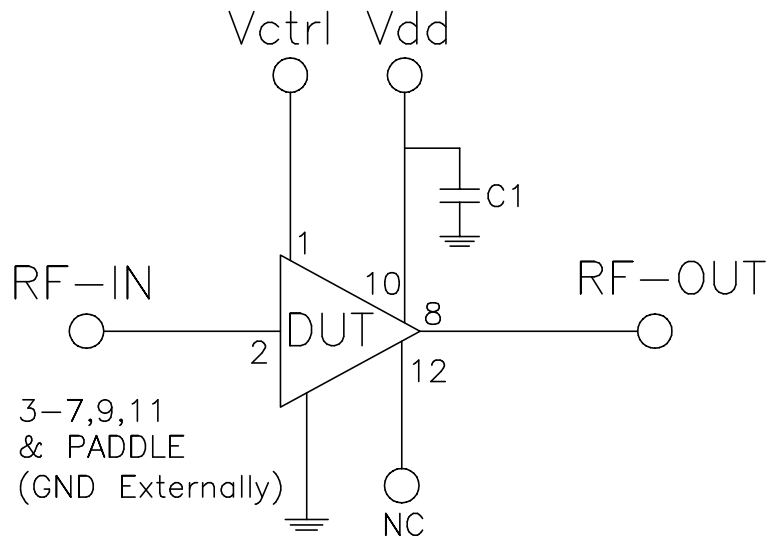


INDEX

DUT



DETAIL "A"
LOCATION OF
UNITS COMPONENTS
(SCALE 5:1)




SCHEMATIC DIAGRAM

Component	Size	Value	Part Number	Manufacturer
C1	0402	1uF	GRM155C81E105KE11D	Murata

Notes:

1. 50 Ohm SMA Female Connectors.
2. PCB Material: Roger R04350B or equivalent,
Dielectric constant=3.5, Thickness=0.010 inch

 **Mini-Circuits®**