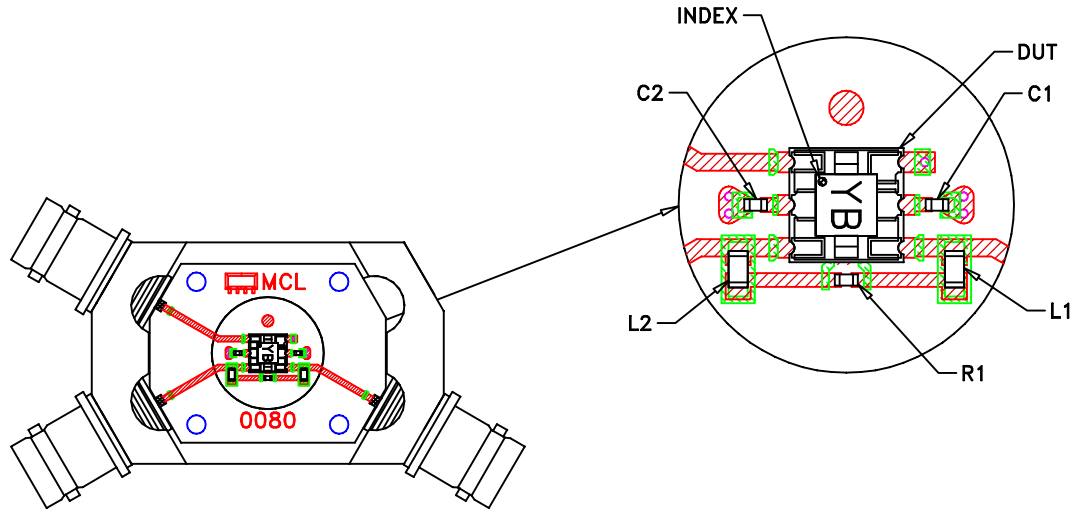
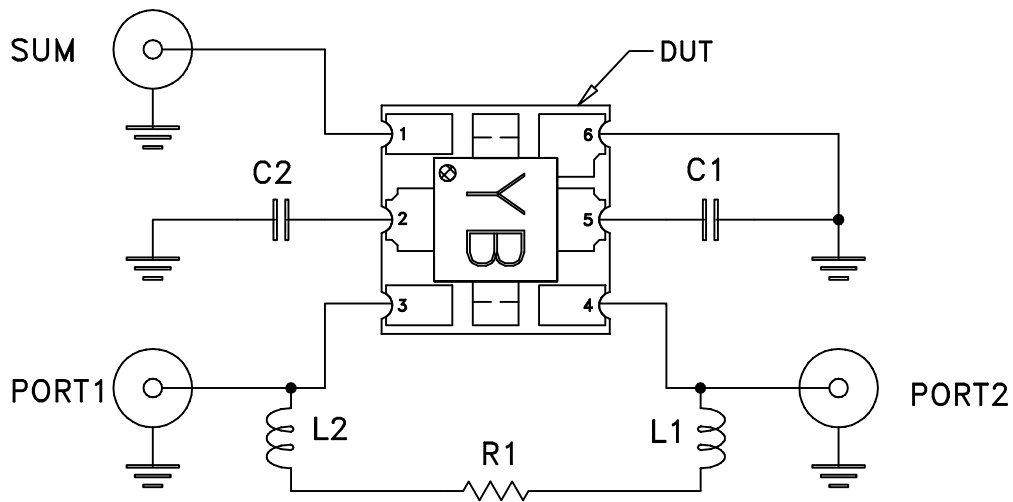


Evaluation Board and Circuit



TB-TRPS2-23275+



COMPONENT	VALUE/PART NUMBER	SIZE
DUT	TRPS2-232-75+	.200"X.200"
C1	0.6 pF	0402
C2	0.5 pF	
L1,L2	2.2 nH	0603
R1	221 Ohm	0402

Schematic Diagram

Notes:

1. 75 Ohm BNC female connectors.
2. PCB Material: R04350 or equivalent,
Dielectric Constant=3.5, Thickness=.030 inch.

 Mini-Circuits®