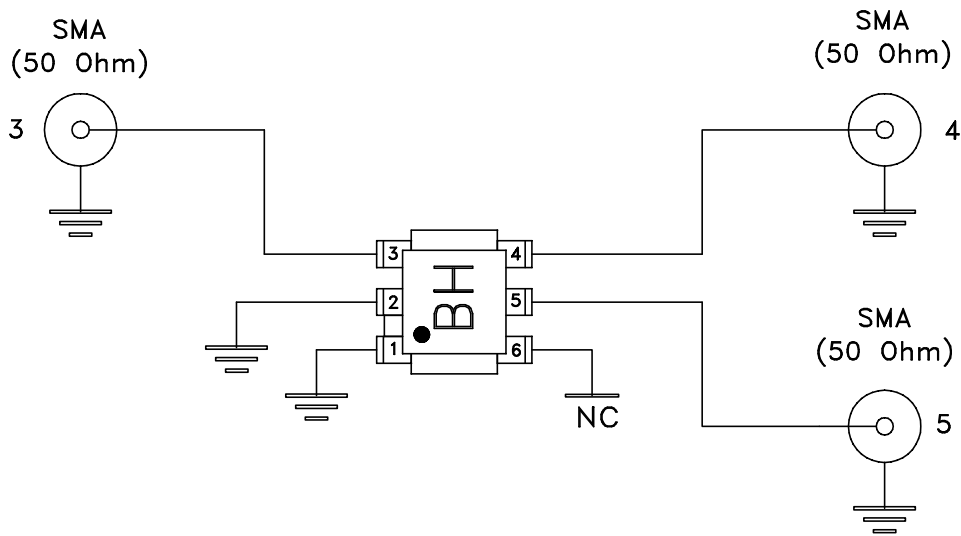
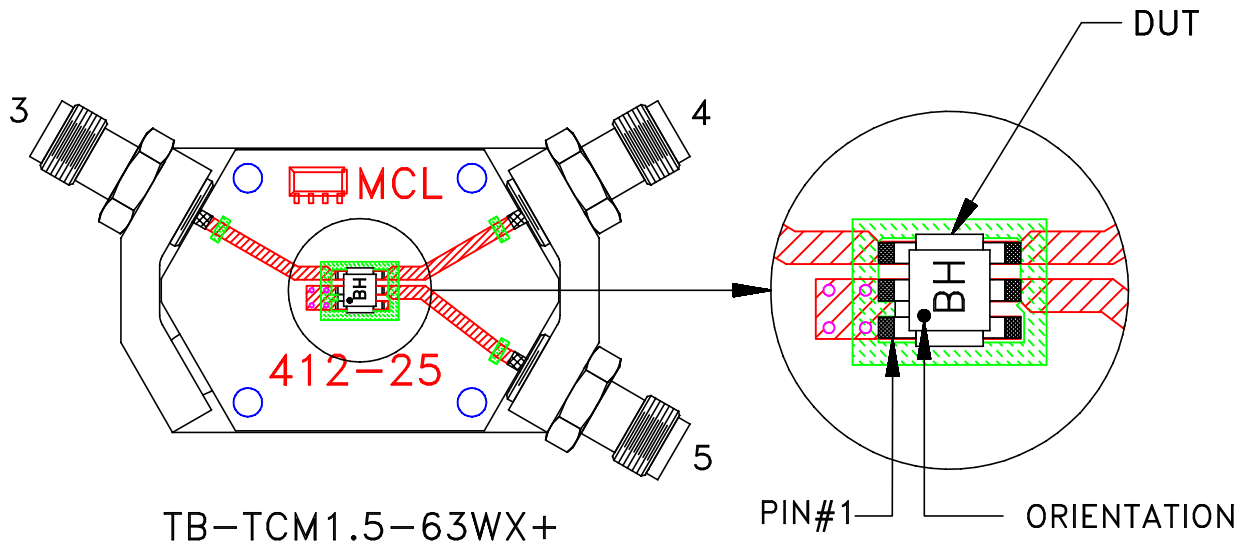


Evaluation Board and Circuit


For Pin Connections refer to Data Sheet of the DUT



Schematic Diagram

Notes:

1. 50 Ohm SMA Female connectors.
2. PCB Material: R04350B or equivalent,
Dielectric Constant=3.5, Thickness=.020 inch.

 **Mini-Circuits®**