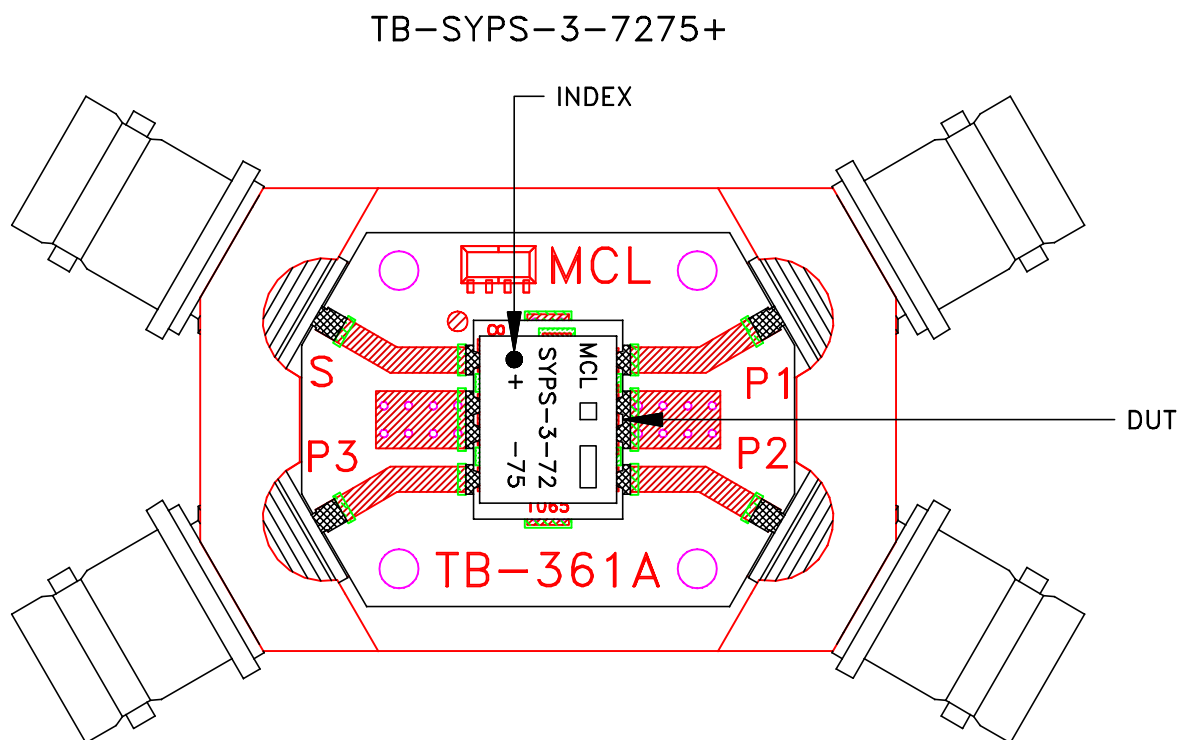
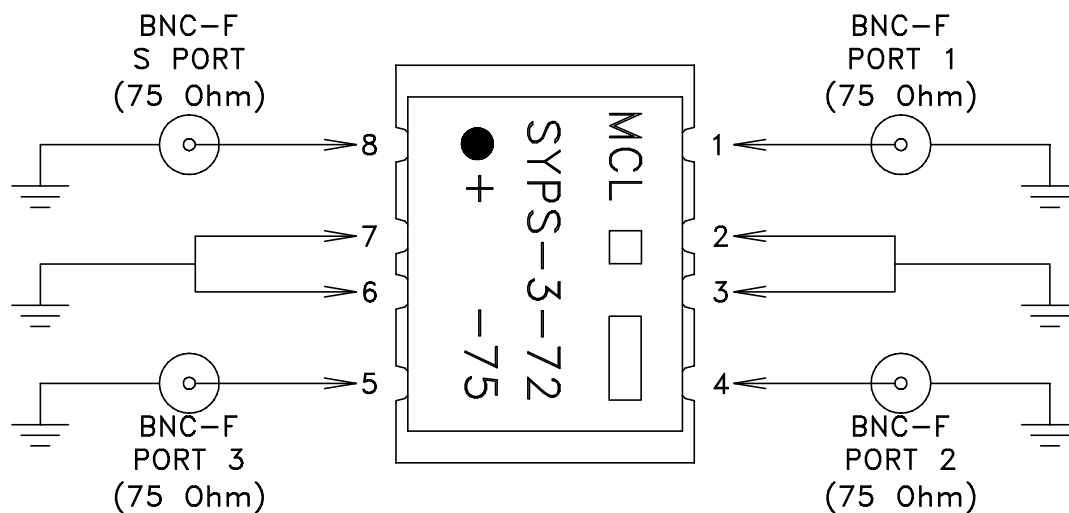


# Evaluation Board and Circuit




Schematic diagram



## Notes:

1. PCB Material: ROGERS (R04350B) OR Equivalent, Dielectric Constant= $3.48 \pm 0.05$   
Dielectric Thickness:  $.060 \pm .004$
2. 75 Ohm BNC Female Connectors.

 **Mini-Circuits®**