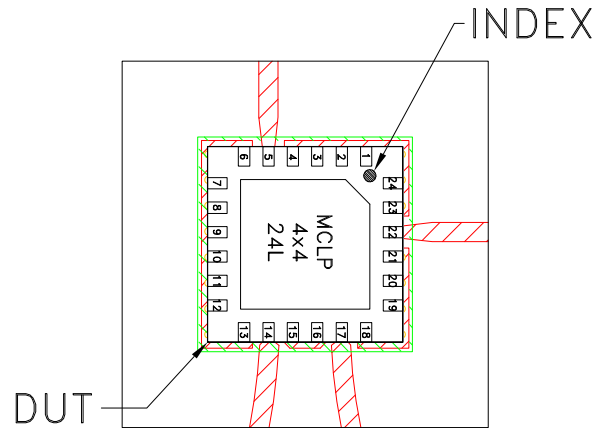
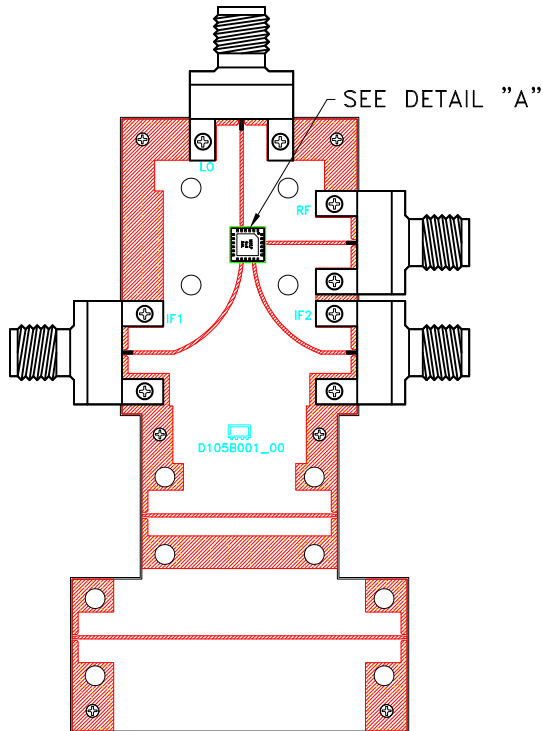
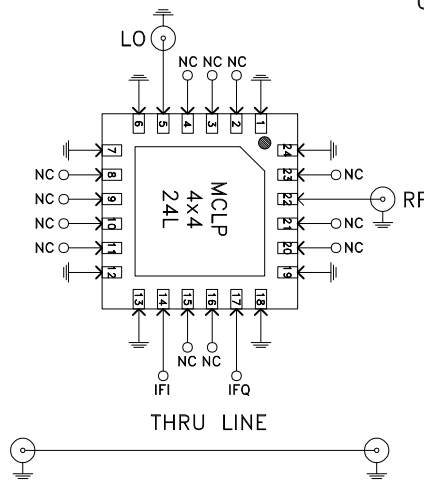


Evaluation Board and Circuit



DETAIL "A"
LOCATION OF
UNITS COMPONENTS
(SCALE 5:1)

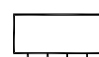


SCHEMATIC DIAGRAM

Function	Pad
RF	22
LO	5
IFQ	17
IFI	14
GND	1,6-7,12-13,18-19,24
NC, GND Externally	2-4,8-11,15-16,20-21,23

Notes:

1. 2.92mm Female Connectors.
2. PCB Material: Roger R04003C or equivalent,
Dielectric constant=3.5, Thickness=0.008 inch

 Mini-Circuits®