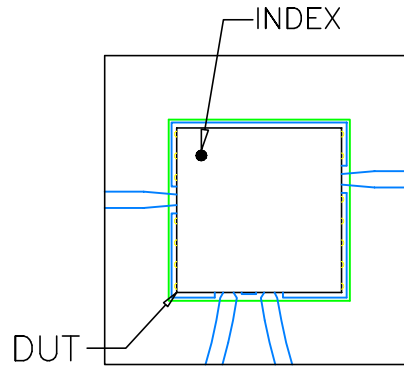
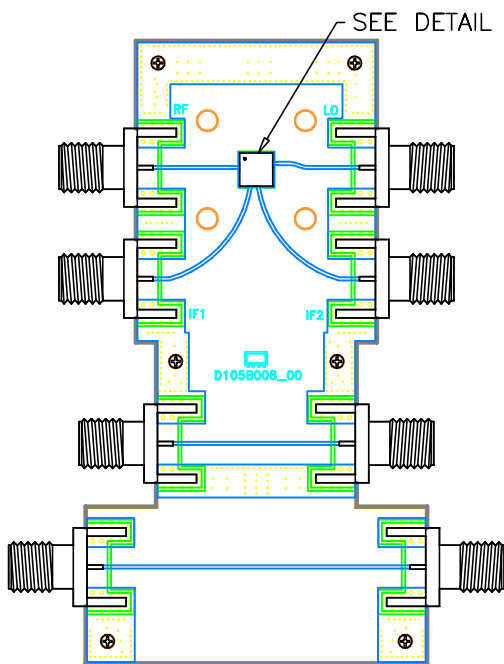
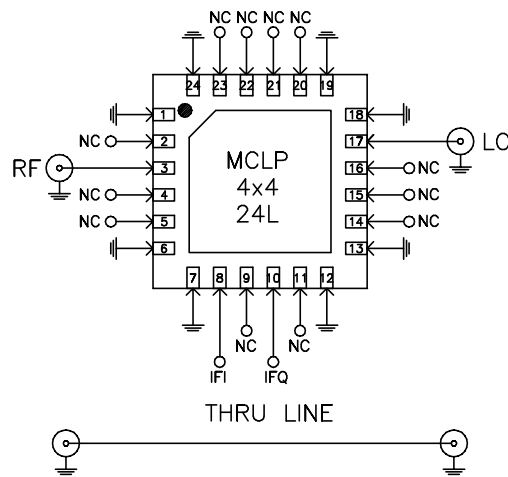


# Evaluation Board and Circuit



DETAIL "A"  
LOCATION OF  
UNITS COMPONENTS  
(SCALE 5:1)




SCHEMATIC DIAGRAM

Function	Pad
RF	3
LO	17
IFQ	10
IFI	8
GND	1,6-7,12-13,18-19,24
NC, GND Externally	2,4-5,9,11,14-16,20-23

## Notes:

1. 50 Ohm SMA Female Connectors.
2. PCB Material: Roger R04003C or equivalent,  
Dielectric constant=3.5, Thickness=0.008 inch

 **Mini-Circuits®**