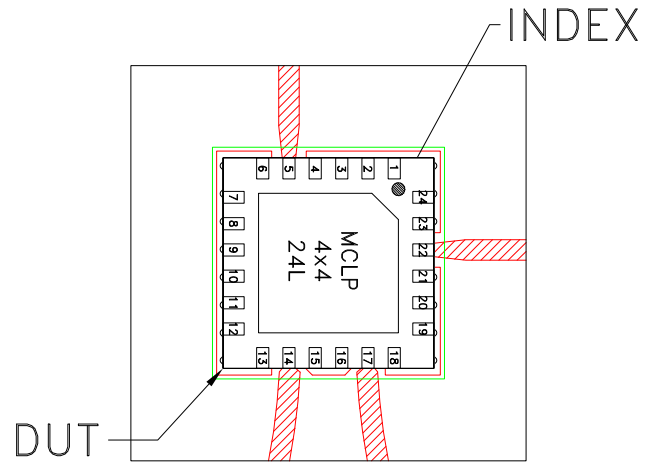
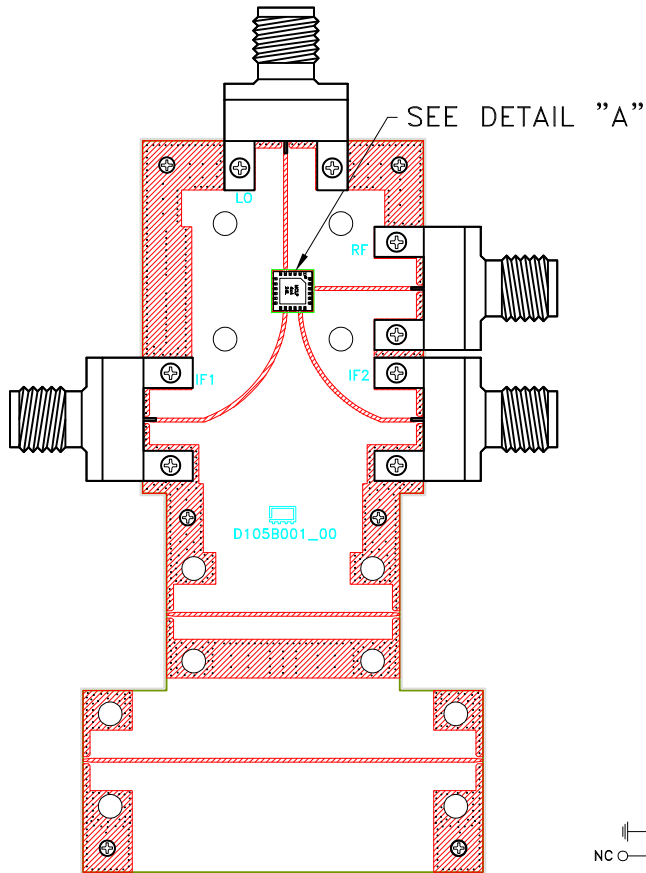
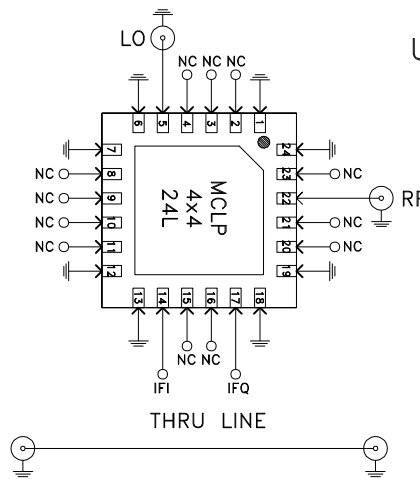


# Evaluation Board and Circuit



DETAIL "A"  
LOCATION OF  
UNITS COMPONENTS  
(SCALE 5:1)



SCHEMATIC DIAGRAM

| Function           | Pad                     |
|--------------------|-------------------------|
| RF                 | 22                      |
| LO                 | 5                       |
| IFQ                | 17                      |
| IF1                | 14                      |
| GND                | 1,6-7,12-13,18-19,24    |
| NC, GND Externally | 2-4,8-11,15-16,20-21,23 |

## Notes:

1. 2.92mm Female Connectors.
2. PCB Material: Roger RO4003C or equivalent,  
Dielectric constant=3.5, Thickness=0.008 inch

 **Mini-Circuits®**