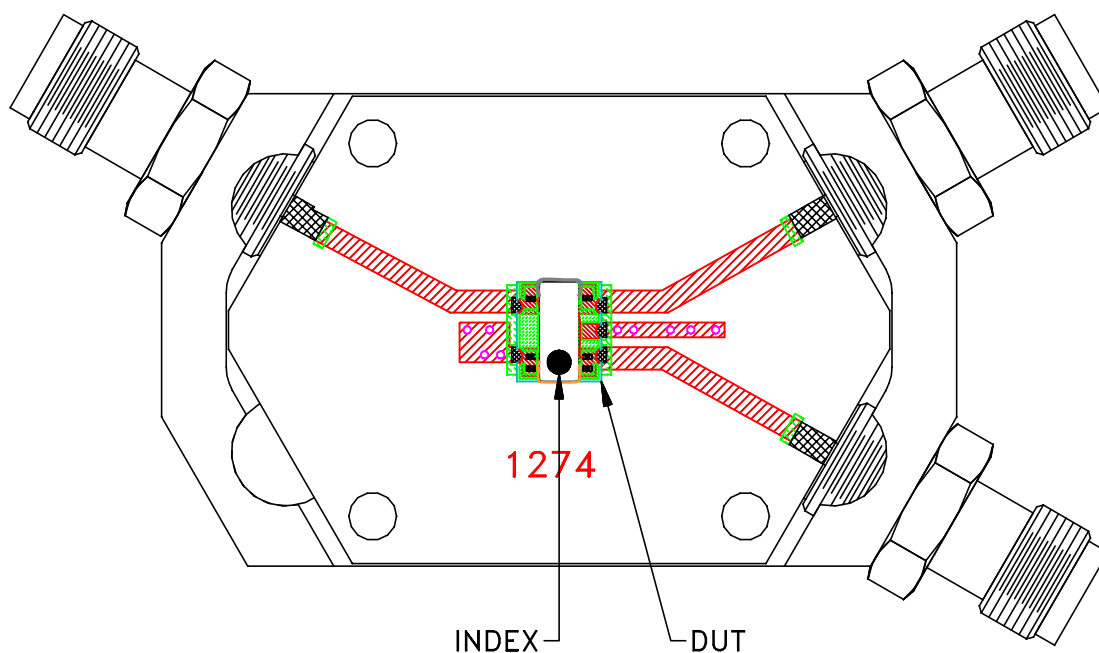


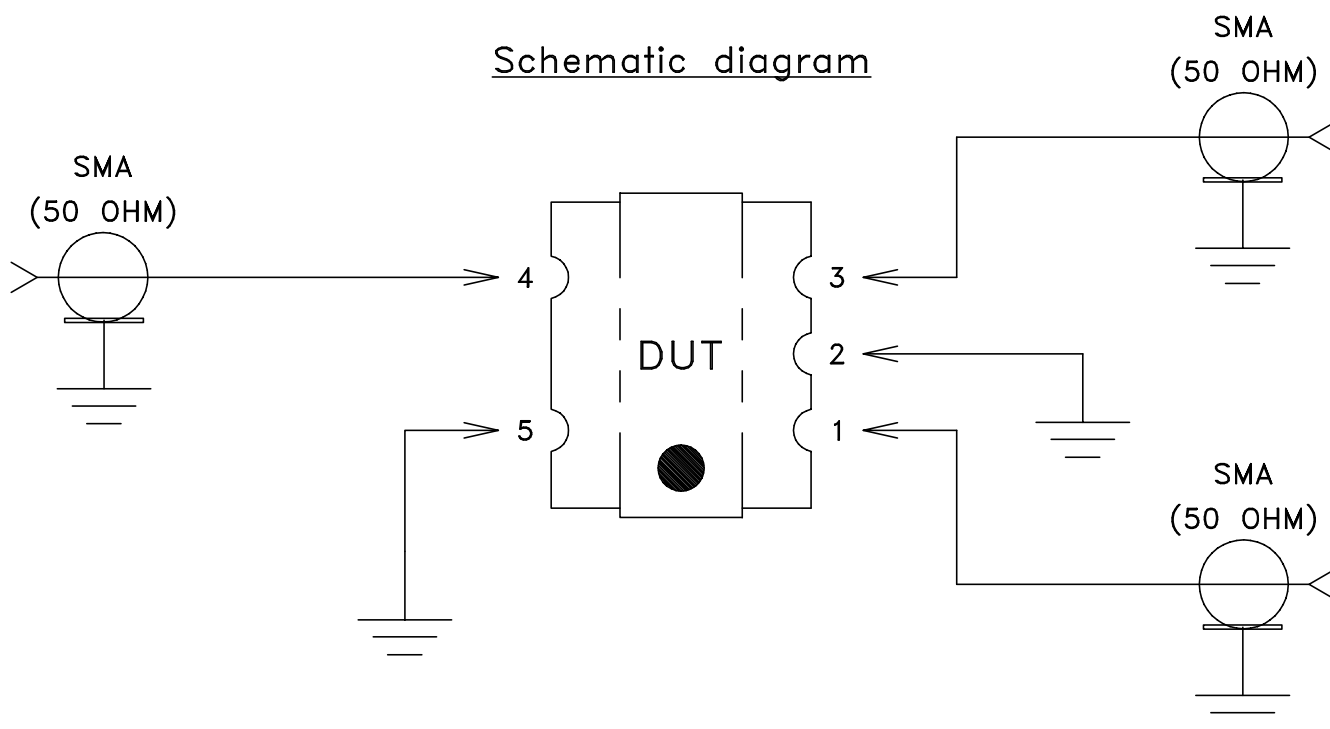
Evaluation Board and Circuit

TB-RTX1-182-75+

For Pin Connections refer to Data Sheet of the DUT




Schematic diagram



Notes:

1. PCB Material: ROGERS (R04350B) OR Equivalent, Dielectric Constant=3.48
Thickness=.020±.0015 inch
2. 50 Ohm SMA Female Connector.

 **Mini-Circuits®**