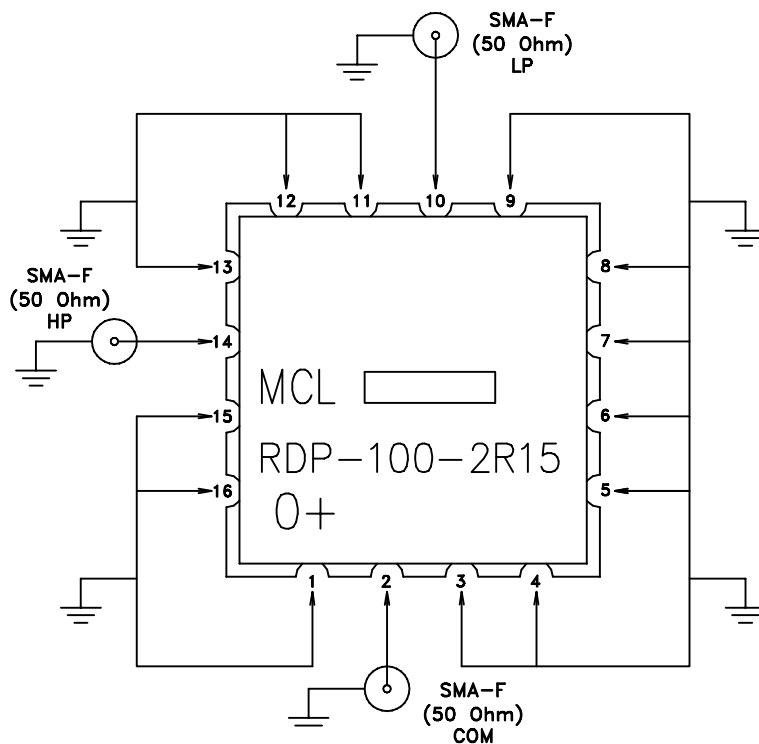
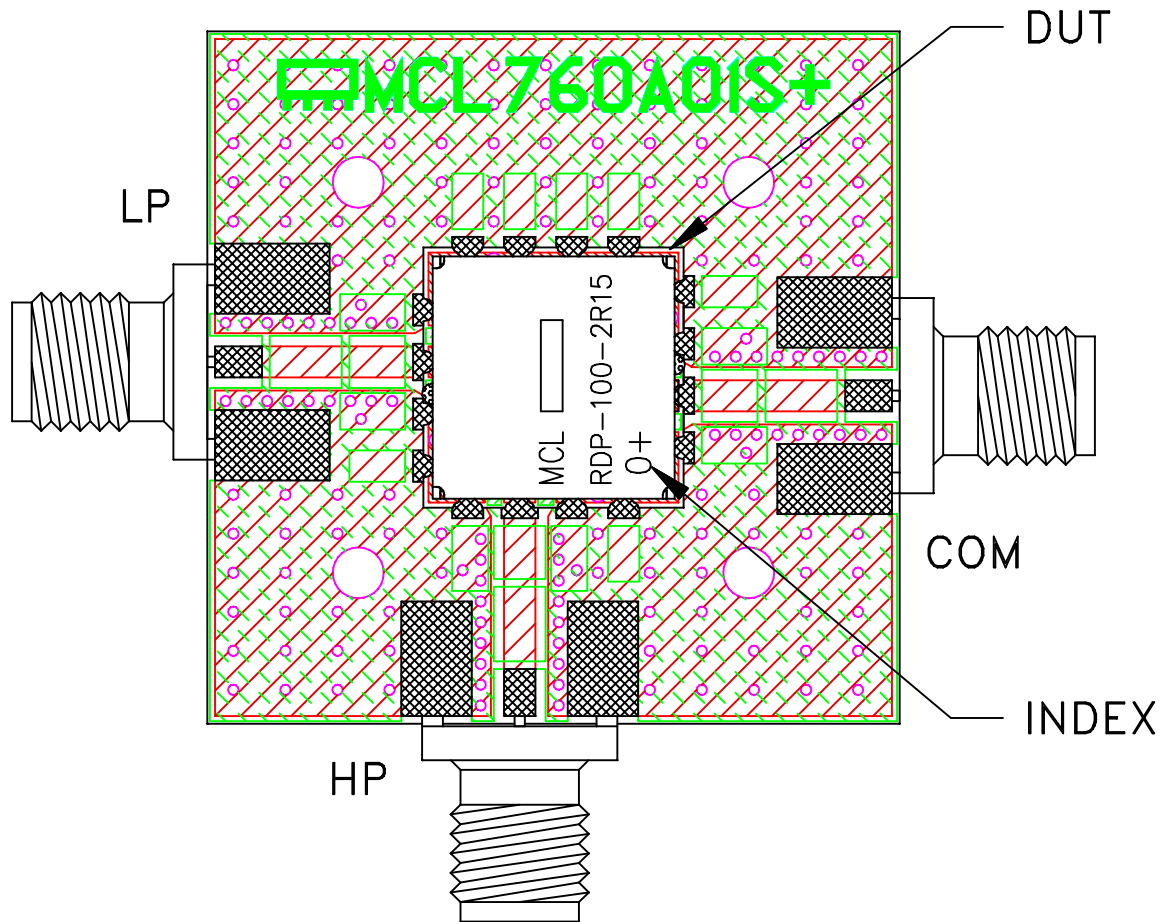


Evaluation Board and Circuit



Schematic Diagram

Notes:

1. 50 Ohm SMA Female connectors.
2. PCB Material: ROGERS (R04350B) OR Equivalent
Dielectric Constant=3.48±.05, Thickness=.030 inch.

