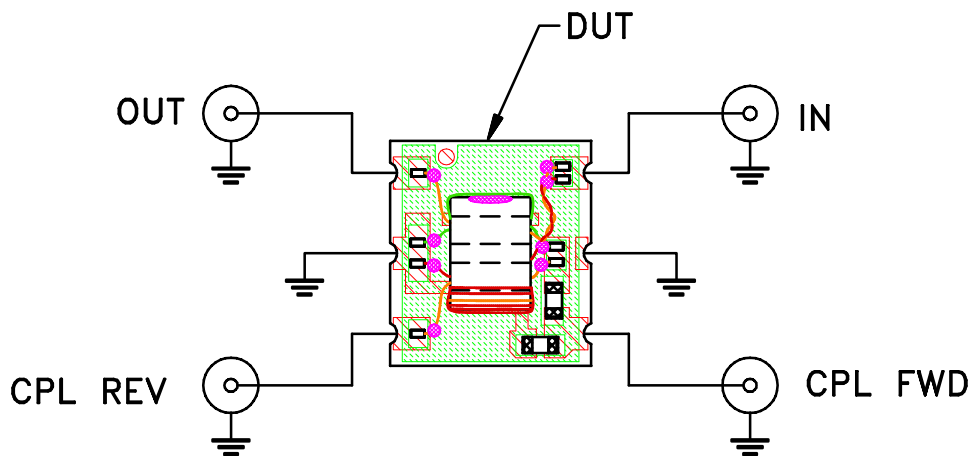
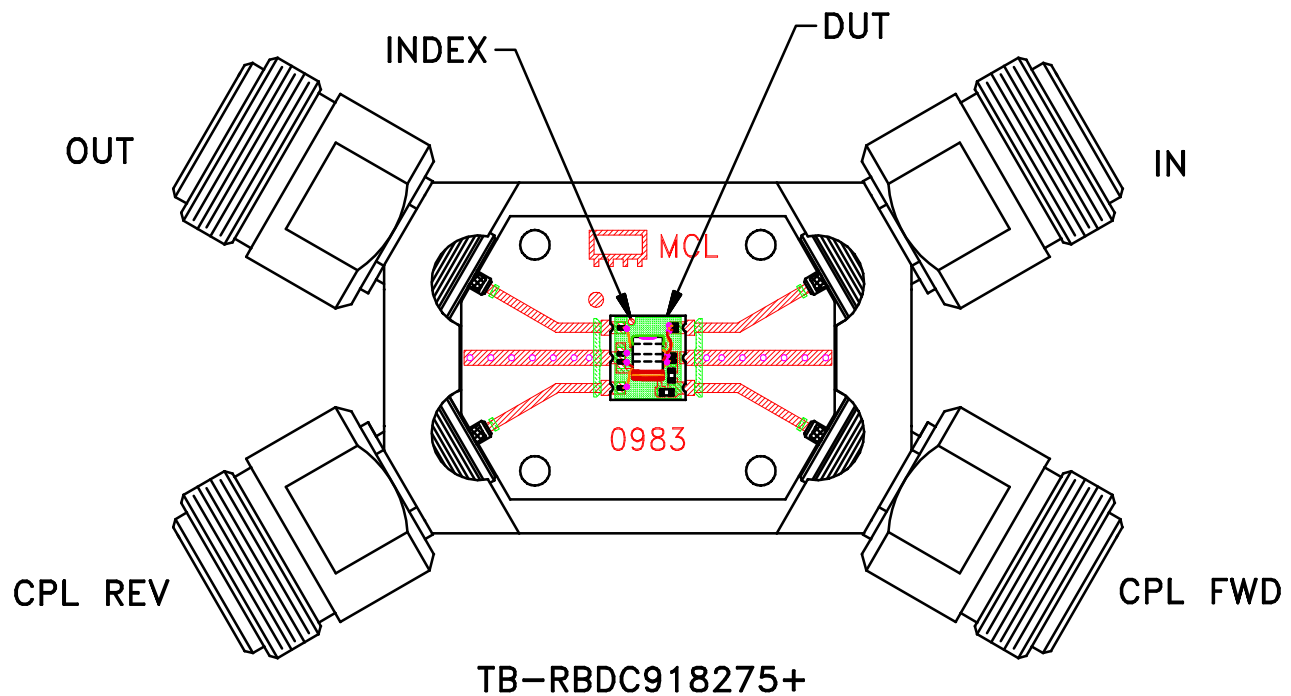


Evaluation Board and Circuit



Schematic Diagram

Notes:

1. 75 Ohm N-TYPE Female connectors.

2. PCB Material: ROGERS R04350B or equivalent,

Dielectric Constant= 0.030 ± 0.002 , Thickness= 0.030 inch.

 Mini-Circuits®