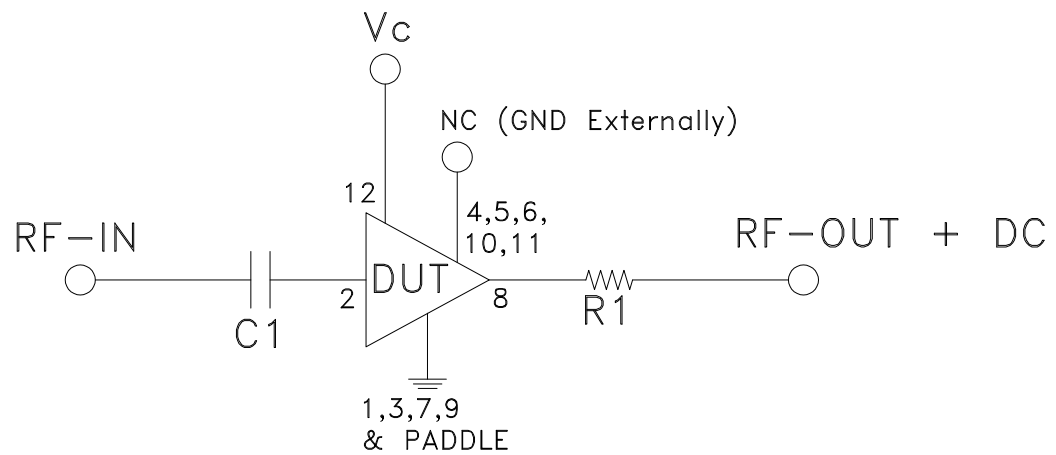
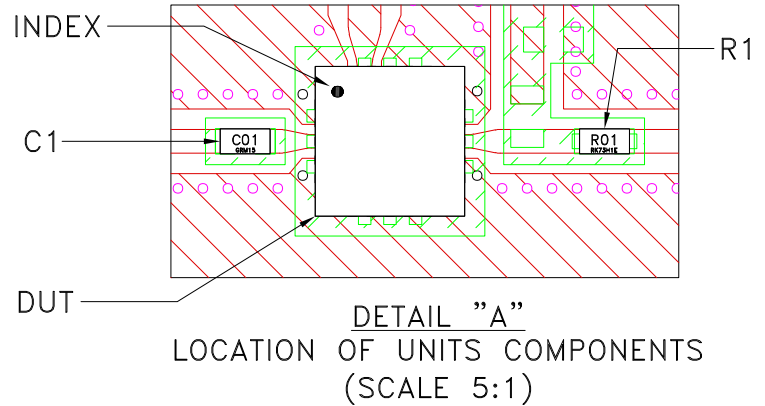
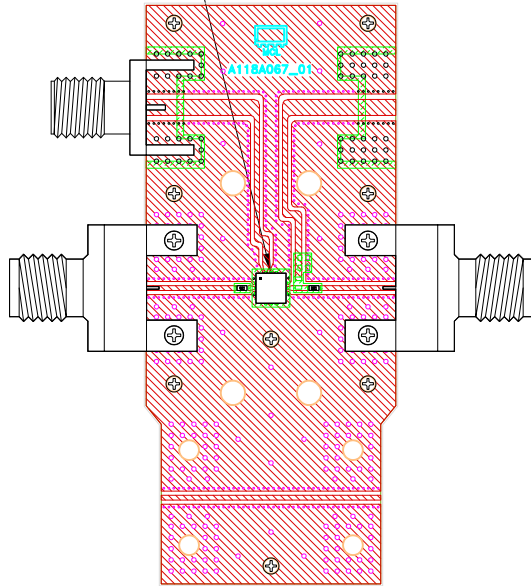


Evaluation Board and Circuit

SEE DETAIL "A"



SCHEMATIC DIAGRAM

Component	Size	Value	Part Number	Manufacturer
C1	0402	100pF	GRM1555C1H101JA01D	Murata
R1	0402	00hm	RK73Z1ETTP	KOA Speer

Notes:

- 2.92mm Female Connectors.
- PCB Material: Roger R04350B or equivalent,
Dielectric constant=3.5, Thickness=0.010 inch

 Mini-Circuits®