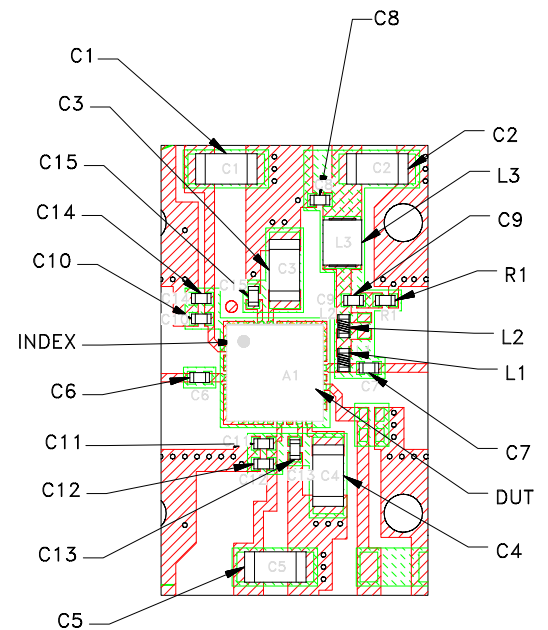
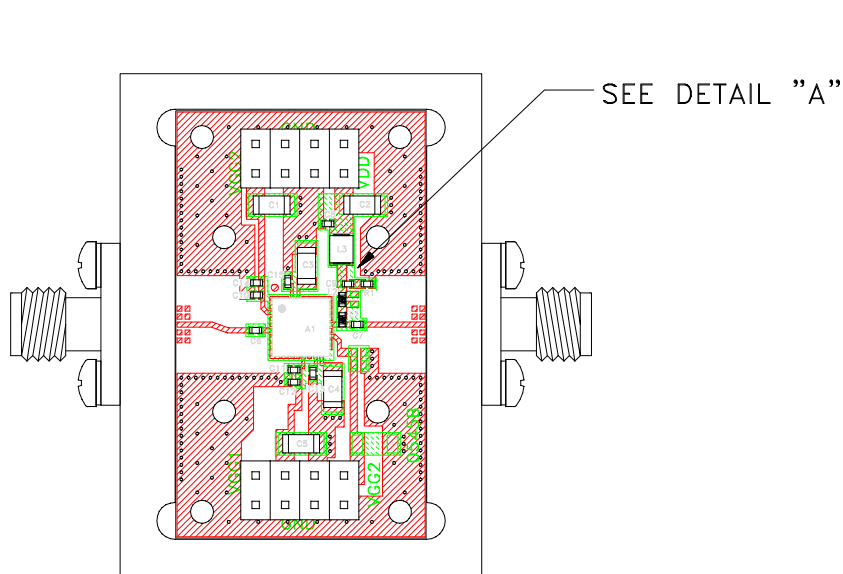
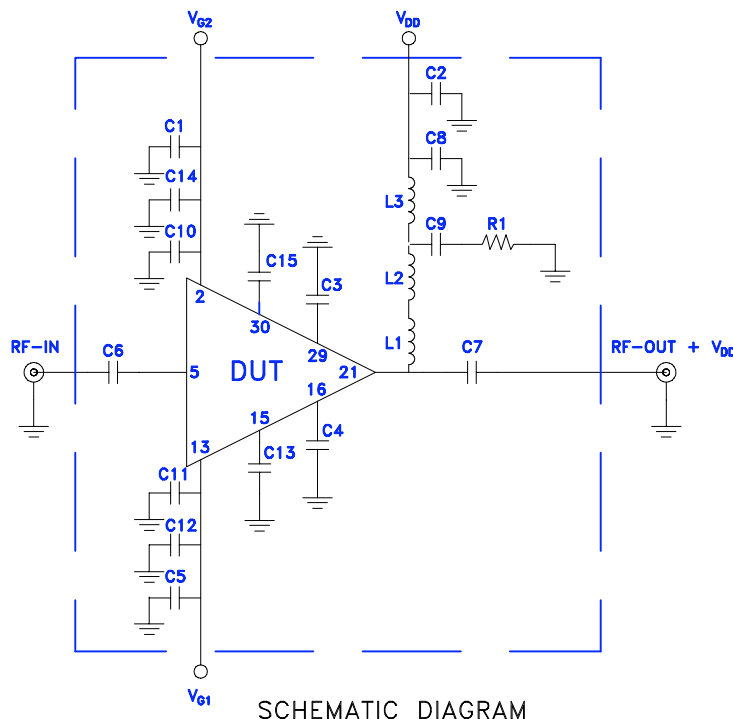


Evaluation Board and Circuit



DETAIL "A"
LOCATION OF INTERCONNECTOR
AND UNITS COMPONENTS
(SCALE 2:1)

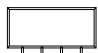


SCHEMATIC DIAGRAM

Component	Size	Value	PartNumber	Manufacturer
R1	0402	301Ω	RK73H1ETTP3010F	KOA SPEER ELECTRONICS
C1,C2,C3,C4,C5	1206	4.7μF	12063C475KAT2A	AVX CORPORATION
C6,C7,C8	0402	0.1μF	GRM155R71E104KE14D	MURATA
C9,C10,C11	0402	100pF	GRM1555C1H101JA01D	MURATA
C12,C13,C14,C15	0402	1nF	GRM1555C1H102JA01D	MURATA
L1,L2	0402	36nH	0402AF-360XJLW	COILCRAFT
L3	1008	1.1μH	1008AF-112XKRC	COILCRAFT

Notes:

- 2.92mm Female Connectors.
- PCB Material: Roger RO4003C or equivalent,
Dielectric constant=3.38, Thickness=0.0087±.001 inch

 Mini-Circuits®