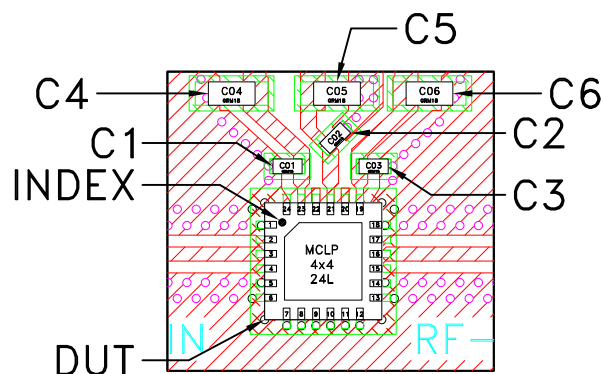
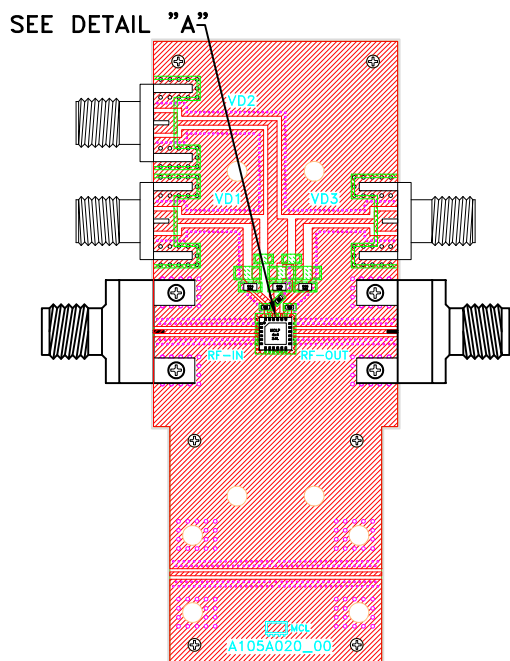
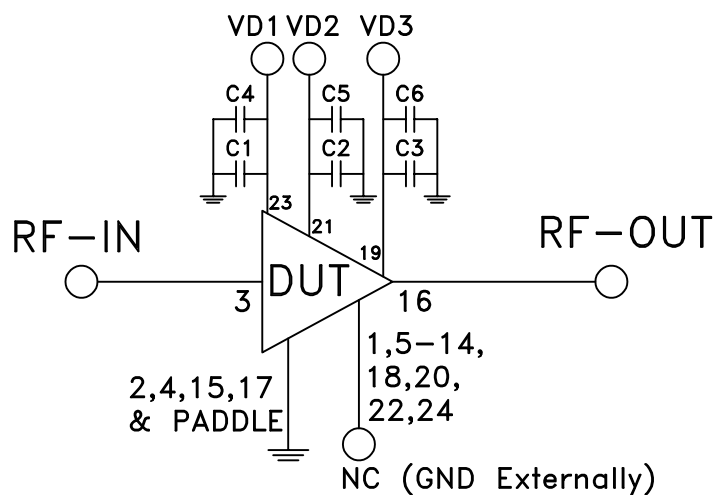


Evaluation Board and Circuit



DETAIL "A"
LOCATION OF
UNITS COMPONENTS
(SCALE 3:1)



SCHEMATIC DIAGRAM

| Component | Size | Value | Part Number | Manufacturer |
|-----------|------|-------|--------------------|--------------|
| C1,C2,C3 | 0402 | 100pF | GRM1555C1H101JA01D | Murata |
| C4,C5,C6 | 0603 | 0.1uF | GCM188R71E104JA57D | Murata |

Notes:

1. 2.4mm Female Connectors.
2. PCB Material: Roger RO4350B or equivalent,
Dielectric constant=3.5, Thickness=0.010 inch

 Mini-Circuits®