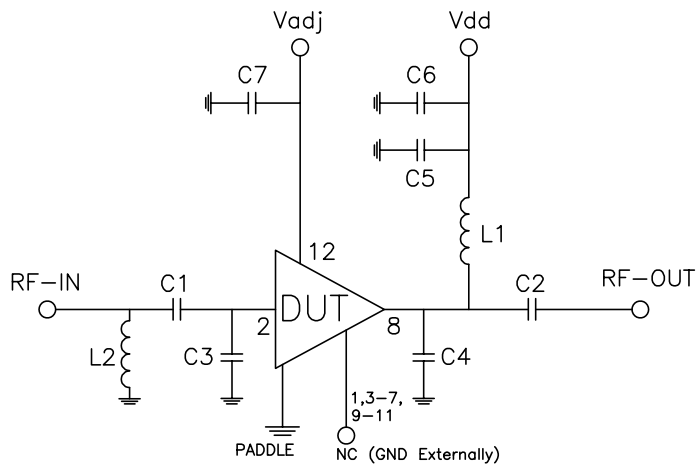
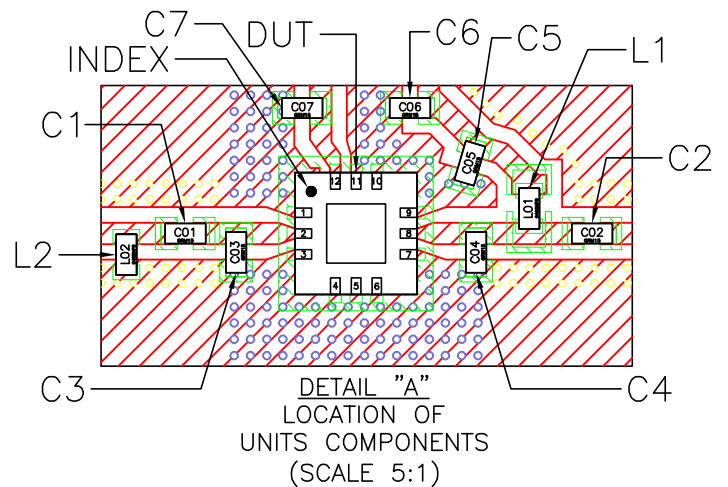
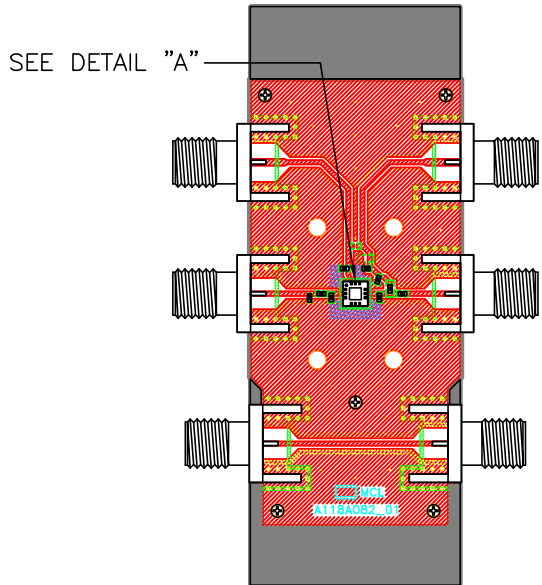


Evaluation Board and Circuit

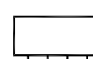


SCHEMATIC DIAGRAM

Component	Size	Value	Part Number	Manufacturer
C1,C2,C5	0402	1000pF	GRM1555C1H102JA01D	Murata
C3,C4	0402	0.4pF	GJM1555C1HR40WB01D	Murata
C6,C7	0402	0.1uF	GRM155R71H104KE14J	Murata
L1	0402	20nH	0402HP-20NXGRW	Coilcraft
L2	0402	25nH	0402HP-25NXJRW	Coilcraft

Notes:

1. 50 Ohm SMA Female Connectors.
2. PCB Material: Roger R04350B or equivalent,
Dielectric constant=3.5, Thickness=0.010 inch

 **Mini-Circuits®**