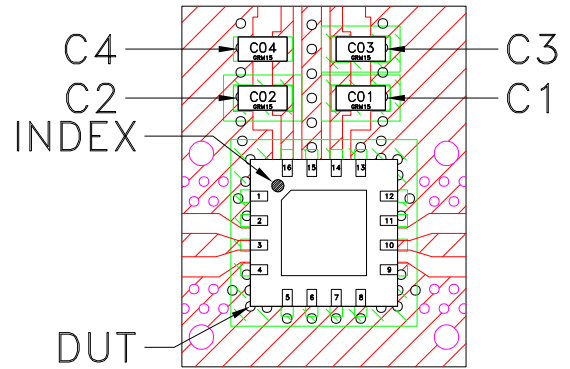
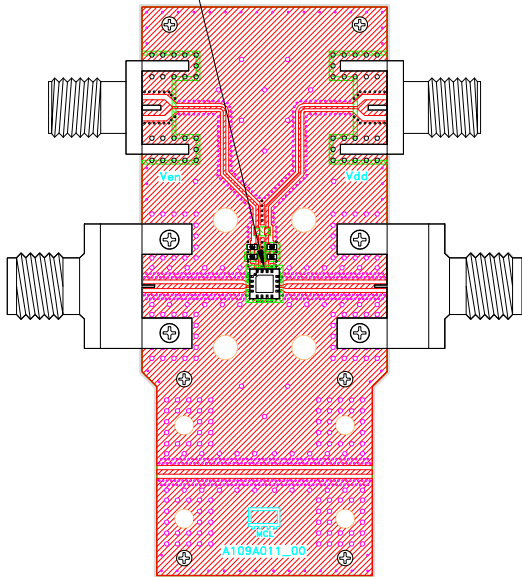
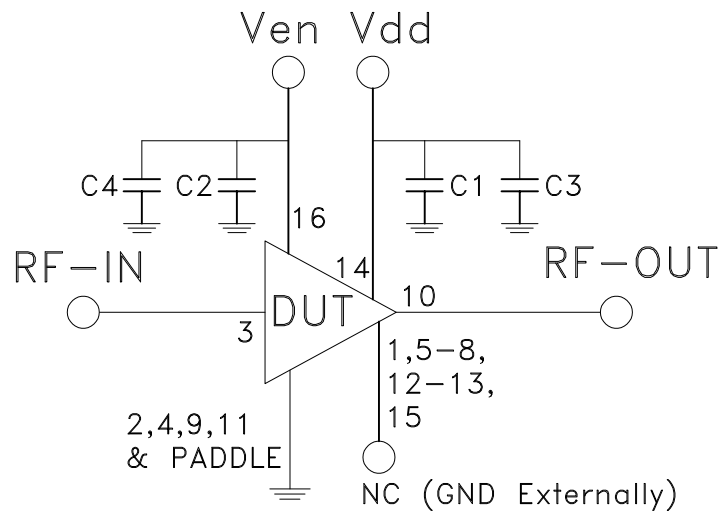


Evaluation Board and Circuit

SEE DETAIL "A"



DETAIL "A"
LOCATION OF
UNITS COMPONENTS
(SCALE 5:1)



SCHEMATIC DIAGRAM

Component	Size	Value	Part Number	Manufacturer
C1,C2	0402	100pF	GRM1555C1H101JA01D	Murata
C3,C4	0402	0.1uF	GRM155R71H104KE14J	Murata

Notes:

1. 2.92mm Female Connectors.
2. PCB Material: Roger R04350B or equivalent,
Dielectric constant=3.5, Thickness=0.010 inch

 **Mini-Circuits®**