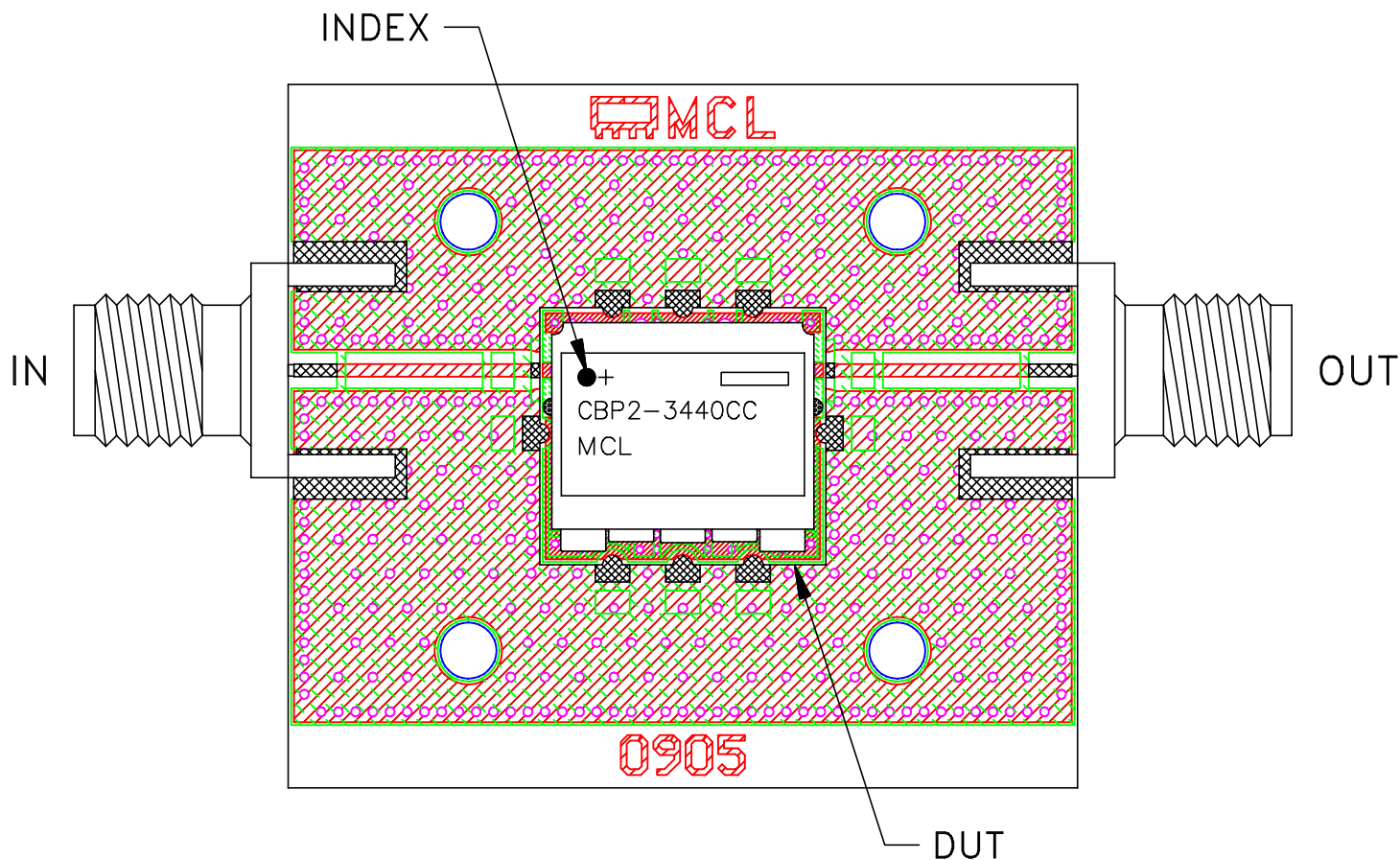
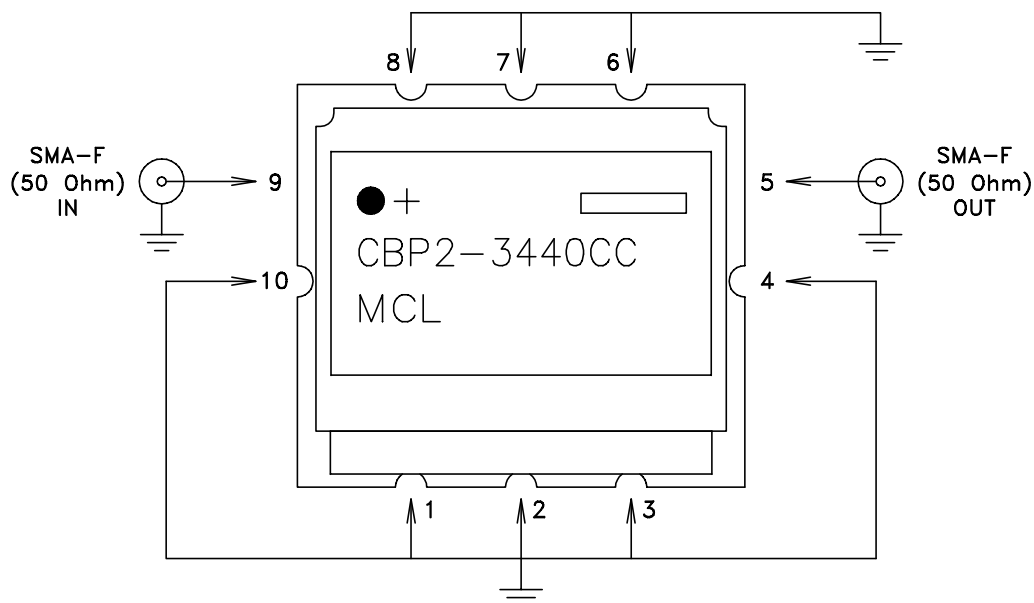


Evaluation Board and Circuit

TB-CBP2-3440CC+




Schematic diagram



Notes:

1. PCB Material: ROGERS (R04350B) OR Equivalent, Dielectric Constant=3.48
Thickness=.010 inch
2. 50 Ohm SMA Female Connector.

 Mini-Circuits®