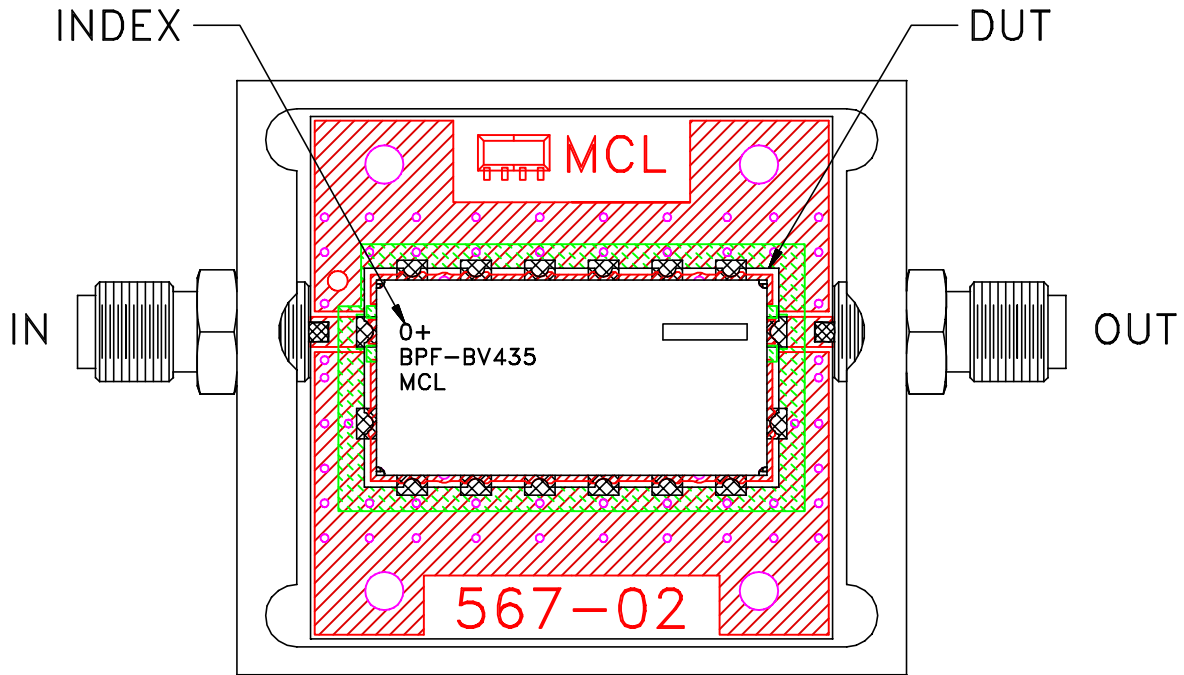
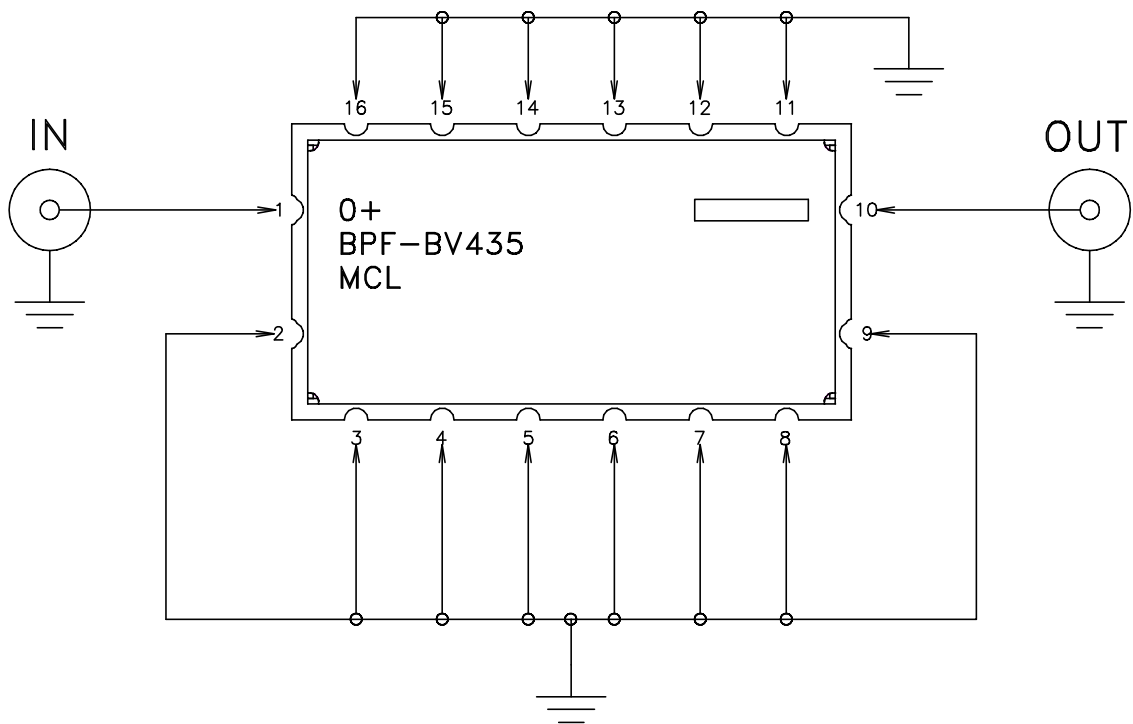


# Evaluation Board and Circuit



## TB-BPF-BV435+



Schematic Diagram

**Notes:**

1. 50 Ohm SMA Female connectors.
2. PCB Material: ROGERS (R04350B) or equivalent, Dielectric Constant=3.5, Thickness=.060 inch.

