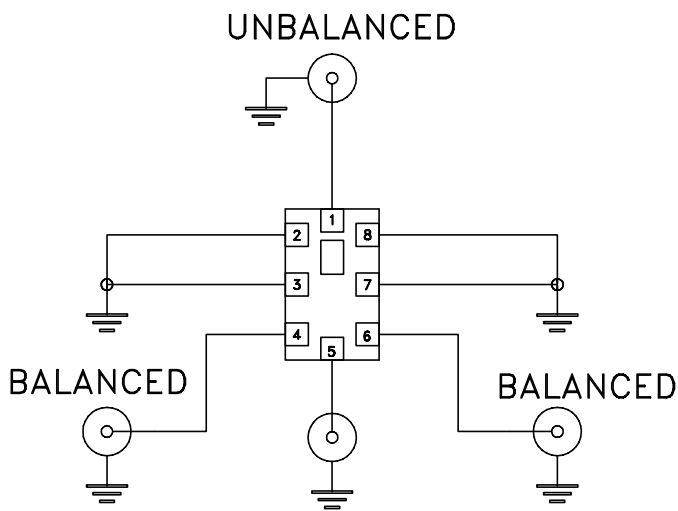
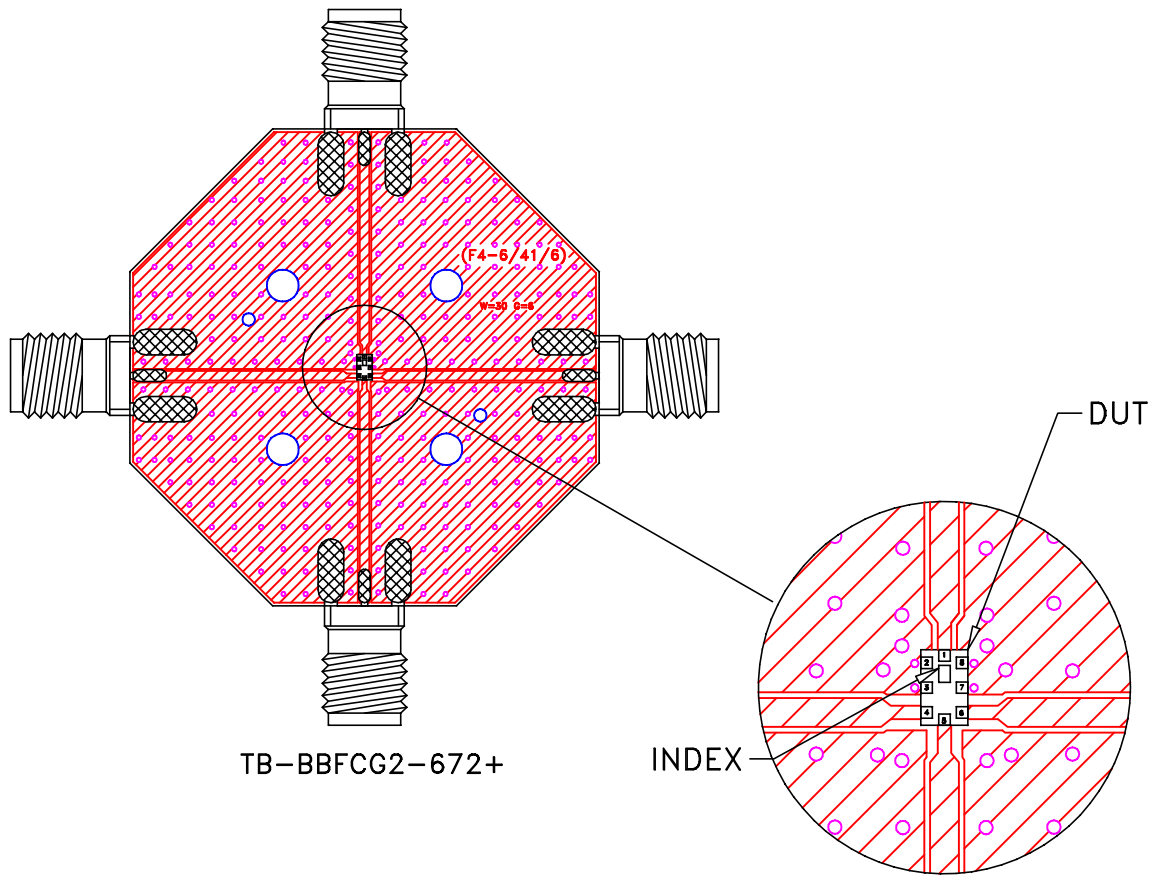
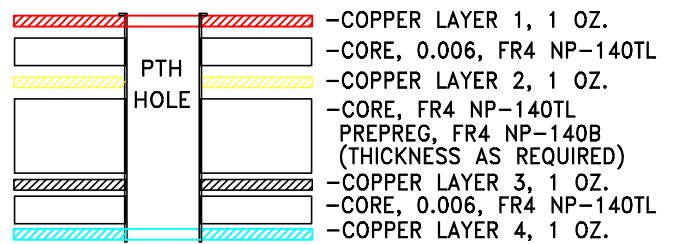


Evaluation Board and Circuit



Schematic Diagram



Stack-up Diagram

Notes:

1. 50 Ohm SMA Female connectors.
2. PCB Material: FR4 or equivalent, Dielectric Constant=4.5, Total finished Thickness = .057 inch.

