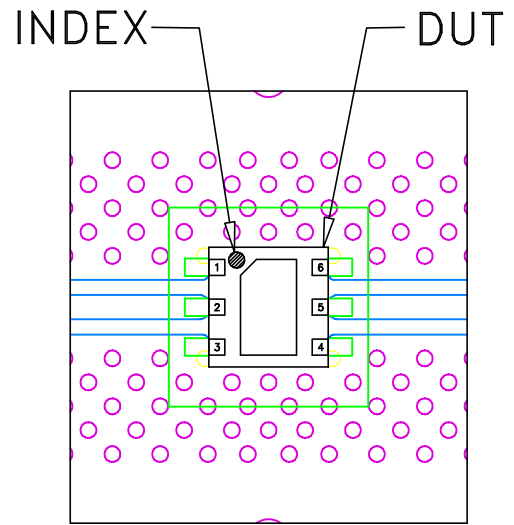
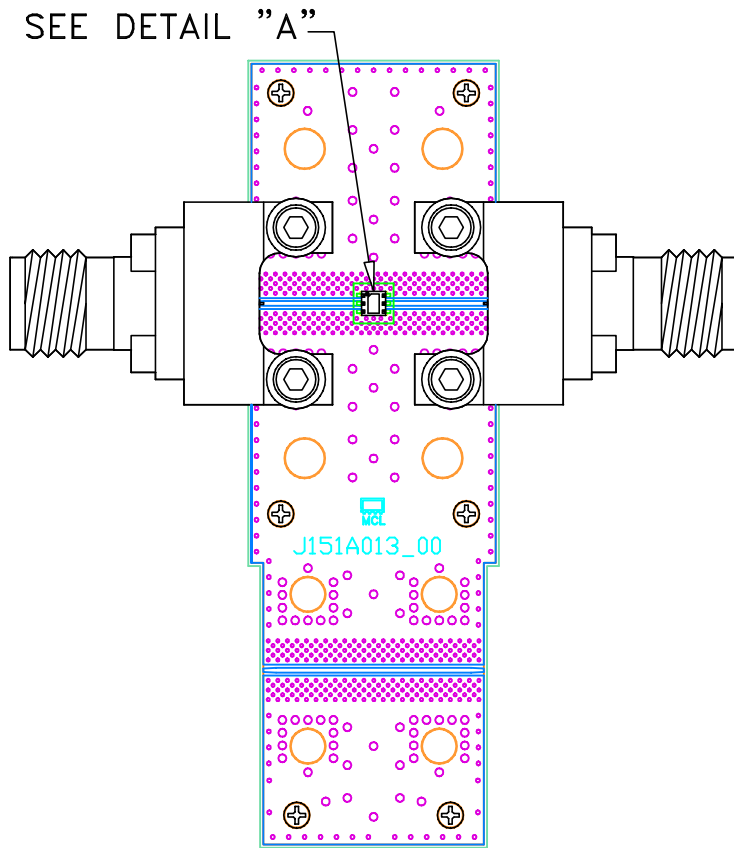
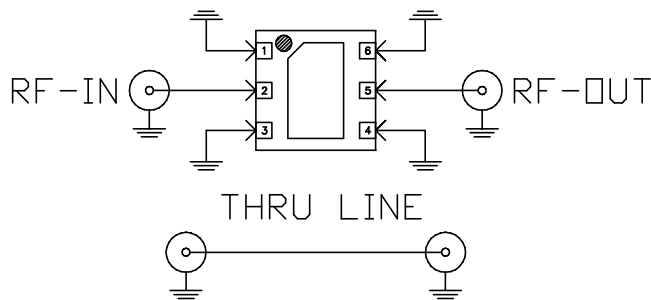


Evaluation Board and Circuit



DETAIL "A"
(SCALE 5:1)




Schematic Diagram
(Scale 5:1)

| Function | Pad |
|----------|---------|
| RF-IN | 2 |
| RF-OUT | 5 |
| GND | 1,3,4,6 |

NOTES:

1. 1.85mm Female Connectors.
2. PCB Material: Roger R04350B or equivalent,
Dielectric constant=3.5, Thickness=0.0066 inch

 **Mini-Circuits®**