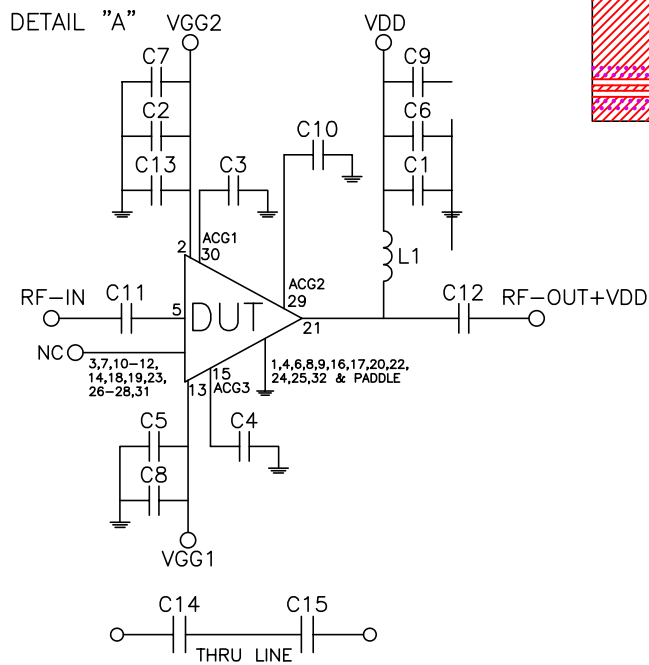
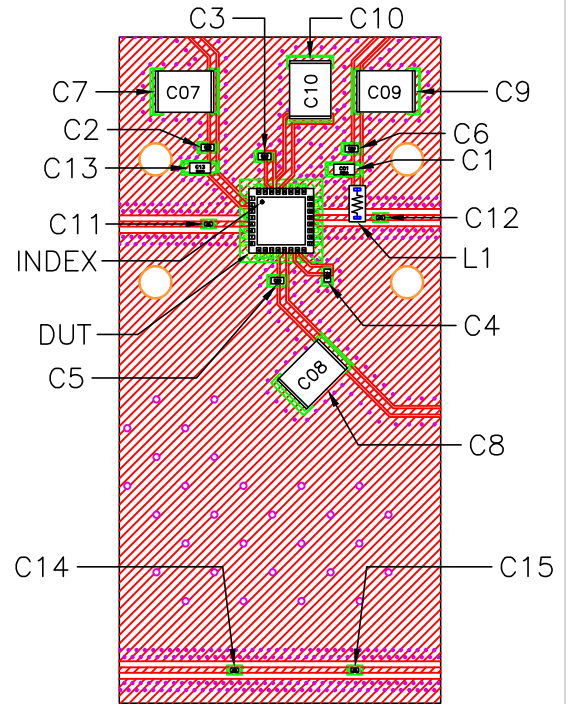
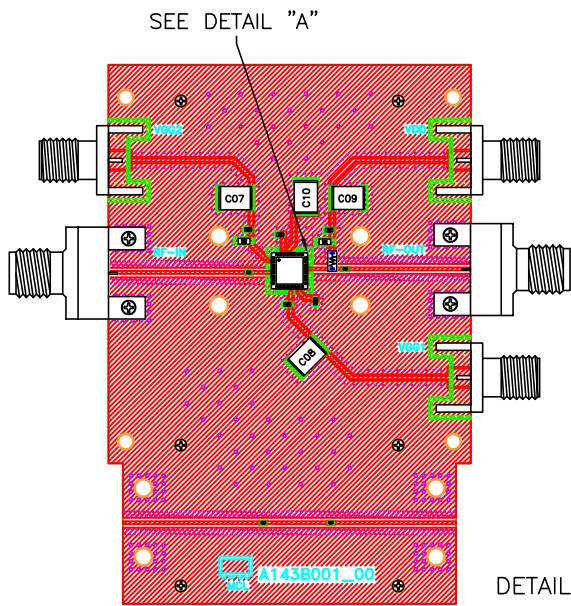


Evaluation Board and Circuit



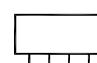
SCHEMATIC DIAGRAM

DETAIL "A"
LOCATION OF
UNITS COMPONENTS
(SCALE 2:1)

Components	Size	Value	Part Numbers	Manufacturer
C1,C13	0603	100pF	B55-19-101G+	Murata
C2,C3,C4,C5,C6	0402	0.01uF	B55-33-103K+	Murata
C7,C8,C9,C10	1812	4.7uF	B55-90-475M+	TDK Corp
C11,C12,C14,C15	0201	30pF	B55-104-300M+	DLI
L1	0.2x0.15inches	0.22uH	CCM19T40-002	Piconics

Notes:

1. 2.4mm Female Connectors.
2. PCB Material: Roger R04003C or equivalent,
Dielectric constant=3.5, Thickness=0.008 inch

 **Mini-Circuits®**