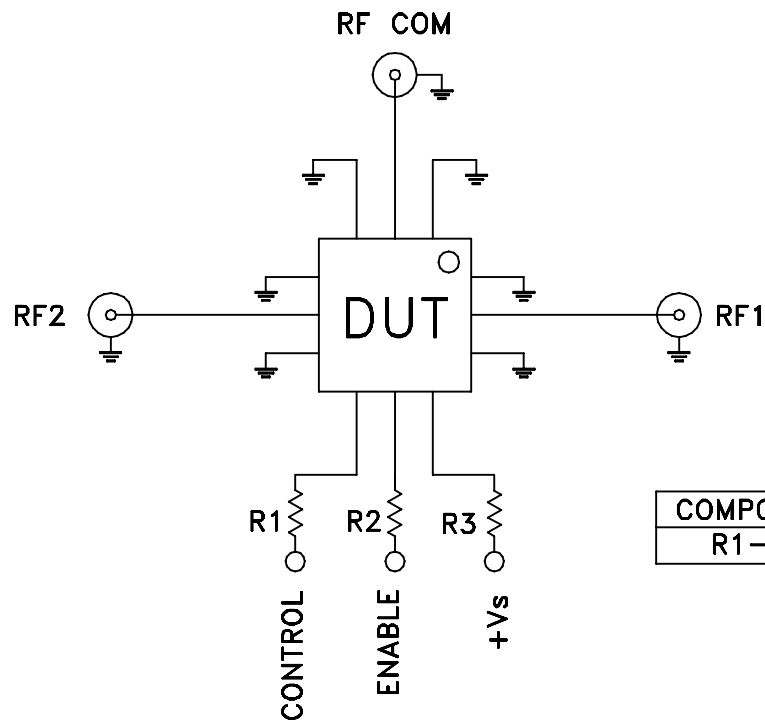
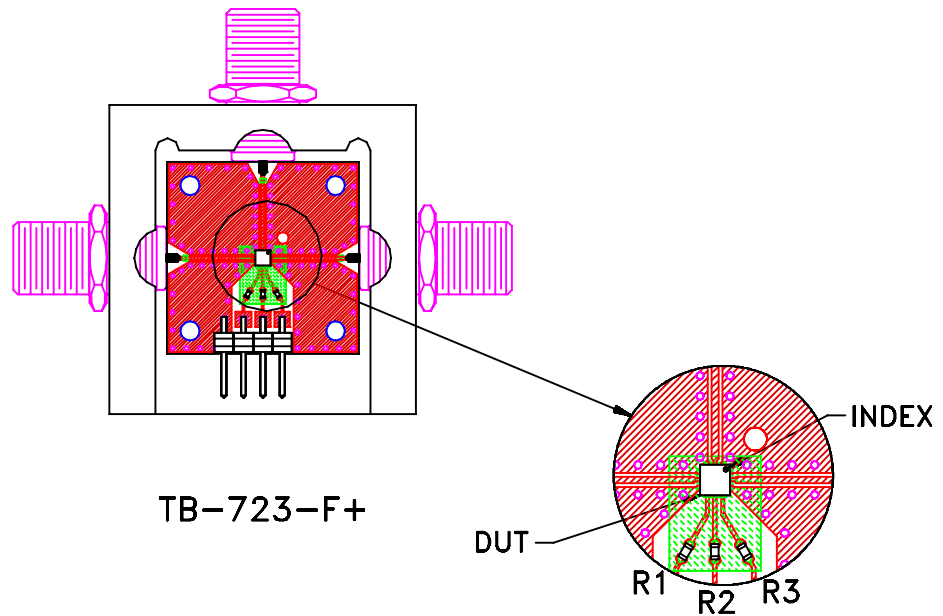


Evaluation Board and Circuit




| COMPONENT | VALUE | SIZE |
|-----------|--------|------|
| R1-R3 | 1 kOhm | 0402 |

Schematic Diagram

Notes:

1. 75 Ohm "F"-type Female connectors.
2. PCB Material: R04350 or equivalent,
Dielectric Constant=3.5, Thickness=.030 inch.

 **Mini-Circuits®**