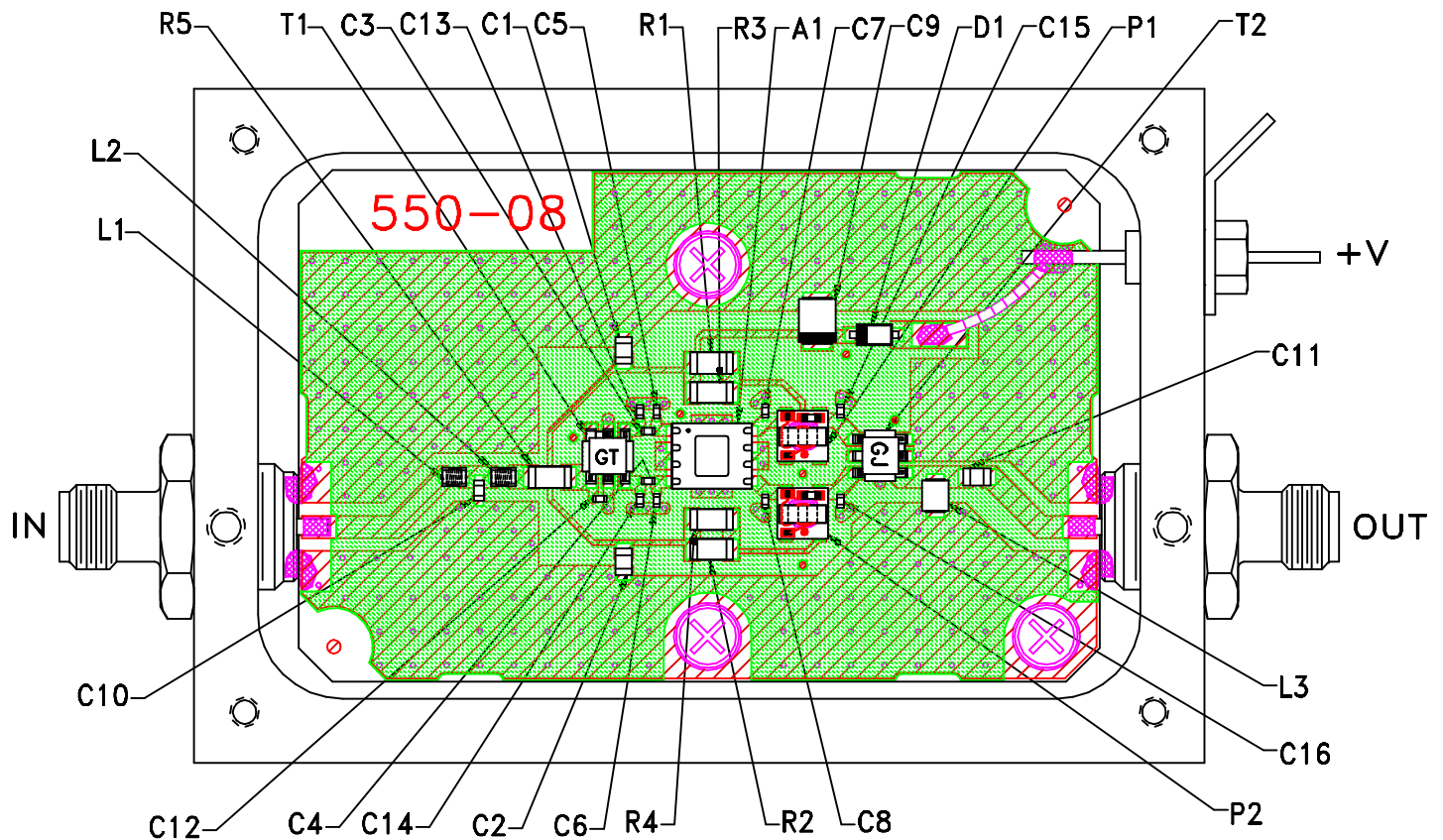



# Evaluation Board and Circuit



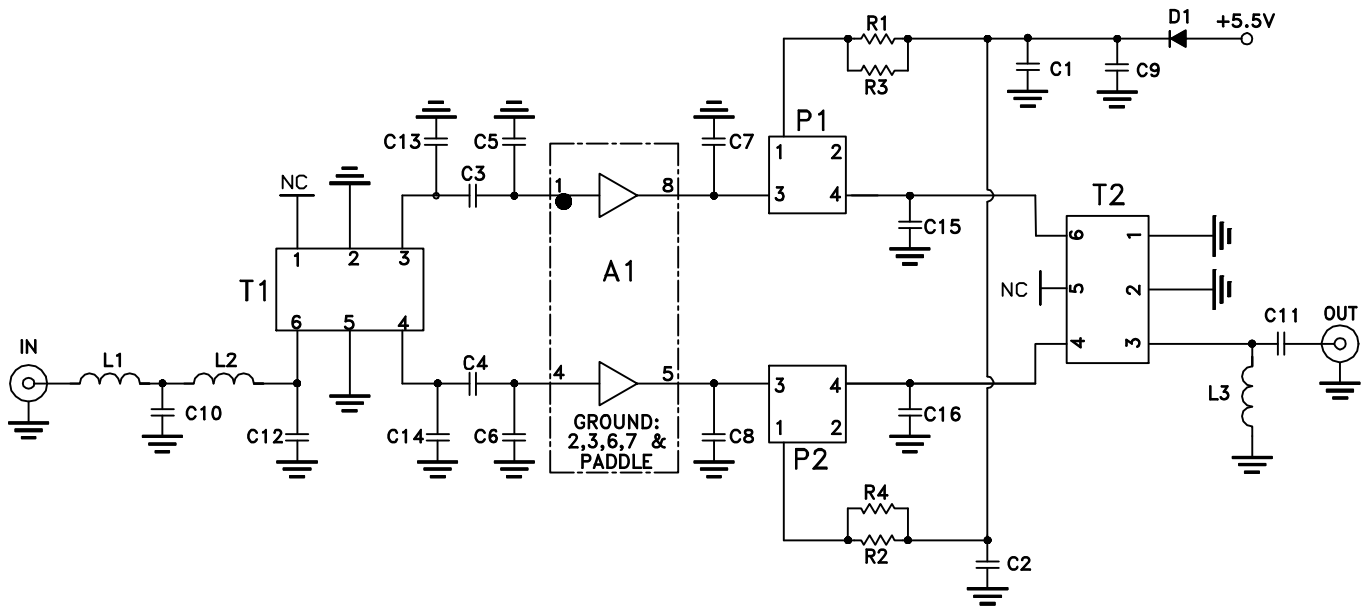
TB-666-50-105+

## NOTES:

1. SMA Female connectors.
2. PCB material: Rogers R04350 or equivalent,  
dielectric constant=3.5,  
dielectric thickness=.030 inch.

 **Mini-Circuits®**

# Evaluation Board and Circuit

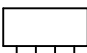


## Note:

Numbers inside the boxes indicate Pin Numbers.

COMPONENT	VALUE	SIZE
A1	Mini-Circuits MPGA-105+	PER DATA SHEET
C1,C2	.039 uF	0805
C3,C4	.001 uF	0402
C5,C6	.2 pF	0402
C7,C8	1.1 pF	0402
C9	1.0 uF	1311
C10	.4 pF	0603
C11	270 pF	0805
C12	.4 pF	0402
C13	.7 pF	0402
C14	.3 pF	0402
C15	.6 pF	0402
C16	1.0 pF	0402
D1	Diode, Schottky Rectifier Vf=.385V @ .5A, Vr=10V MAX	-
L1,L2	1.1 nH	.073"X.054"
L3	1.5 uH	1008
R1,R2	5.11 Ohm	1206
R3,R4	7.50 Ohm	1206
T1	Mini-Circuits TCM2-33WX+	PER DATA SHEET
T2	Mini-Circuits TCM2-43X+	PER DATA SHEET
P1,P2	Mini-Circuits TCBT-6G+	PER DATA SHEET

## Schematic Diagram

 Mini-Circuits®