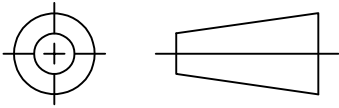


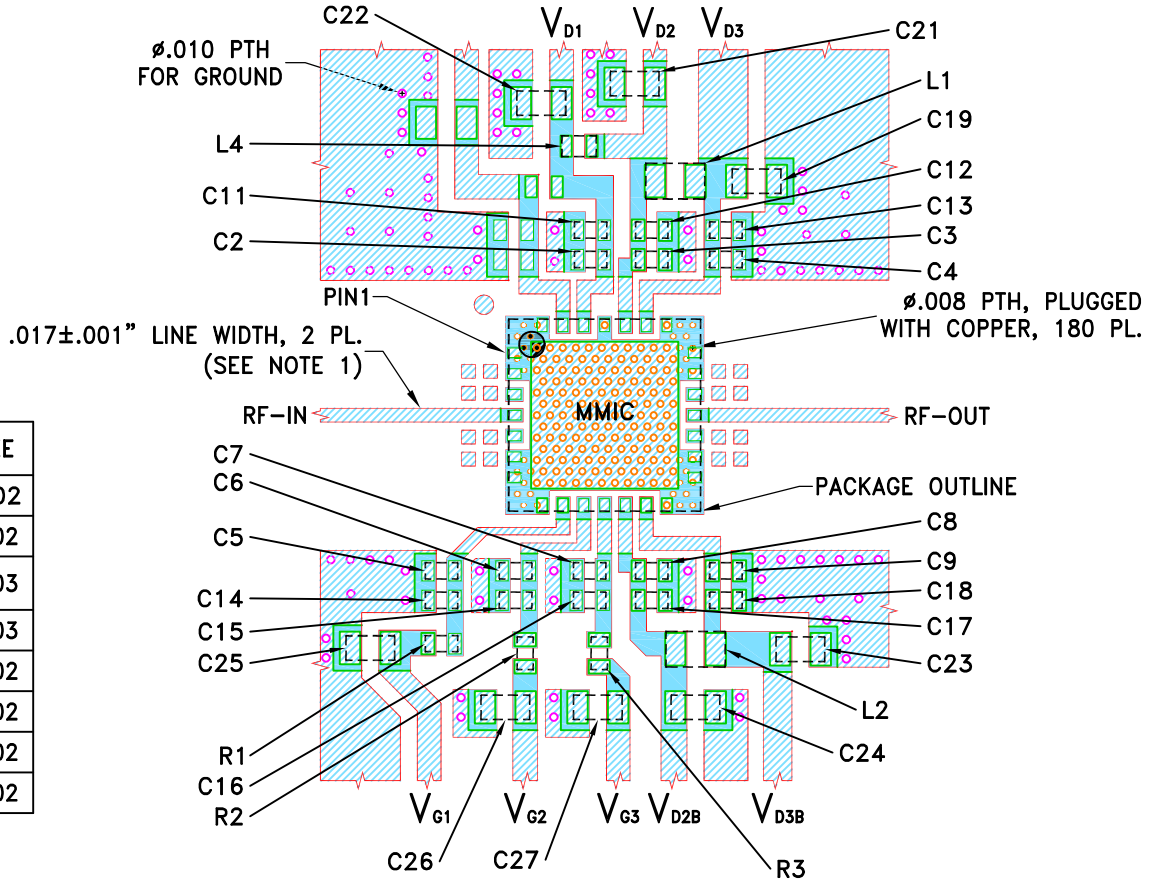
THIRD ANGLE PROJECTION



REVISIONS

REV	ECN No.	DESCRIPTION	DATE	DR	AUTH
OR	ECO-026157	NEW RELEASE	07/09/25	NP	IL

SUGGESTED MOUNTING CONFIGURATION
FOR WQ3359 CASE STYLE



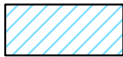
COMPONENT	SIZE
C2-C9	0402
C9-C18	0402
C19,C21-C27	0603
L1-L2	0603
L4	0402
R1	0402
R2	0402
R3	0402

NOTES:

1. TRACE WIDTH PARAMETERS ARE SHOWN FOR ROGERS R04003C LoPro FOIL, DIELECTRIC THICKNESS: $.0087 \pm .001$ "; COPPER: 1 OZ. EACH SIDE. FOR OTHER MATERIALS TRACE WIDTH MAY NEED TO BE MODIFIED.
2. CHIP COMPONENT FOOT PRINTS SHOWN FOR REFERENCE. FOR COMPONENT VALUES REFER TO TB-PMA69310WC+.
3. BOTTOM SIDE OF THE PCB IS CONTINUOUS GROUND PLANE.

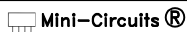


DENOTES PCB COPPER LAYOUT WITH SMOBC (SOLDER MASK OVER BARE COPPER).



DENOTES COPPER LAND PATTERN FREE OF SOLDER MASK.

UNLESS OTHERWISE SPECIFIED	INITIALS	DATE
DIMENSIONS ARE IN INCHES	DRAWN NP	07/09/25
TOLERANCES ON:	CHECKED GF	07/09/25
2 PL DECIMALS ±	APPROVED IL	07/09/25
3 PL DECIMALS ± .005		
ANGLES ±		
FRACTIONS ±		



THIS DOCUMENT AND ITS CONTENTS ARE THE PROPERTY OF MINI-CIRCUITS. EXCEPT FOR USE EXPRESSLY GRANTED, IN WRITING, TO ITS VENDORS, VENDEE AND THE UNITED STATES GOVERNMENT, MINI-CIRCUITS RESERVES ALL PROPRIETARY DESIGN, USE, MANUFACTURING AND REPRODUCTION RIGHTS THERETO. THESE CONTENTS SHALL NOT BE USED, DUPLICATED OR DISCLOSED TO ANY OUTSIDE PARTY, IN WHOLE OR IN PART, WITHOUT WRITTEN PERMISSION OF MINI-CIRCUITS.



Mini-Circuits®

13 Neptune Avenue
Brooklyn NY 11235

PL, WQ3359, TB-PMA69310WC+

SIZE	CODE IDENT	DRAWING NO:	REV:
A	15542	98-PL-826	OR
FILE:	98PL826	SCALE: 4:1	SHEET: 1 OF 1