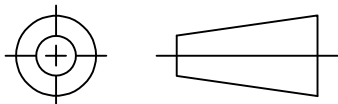


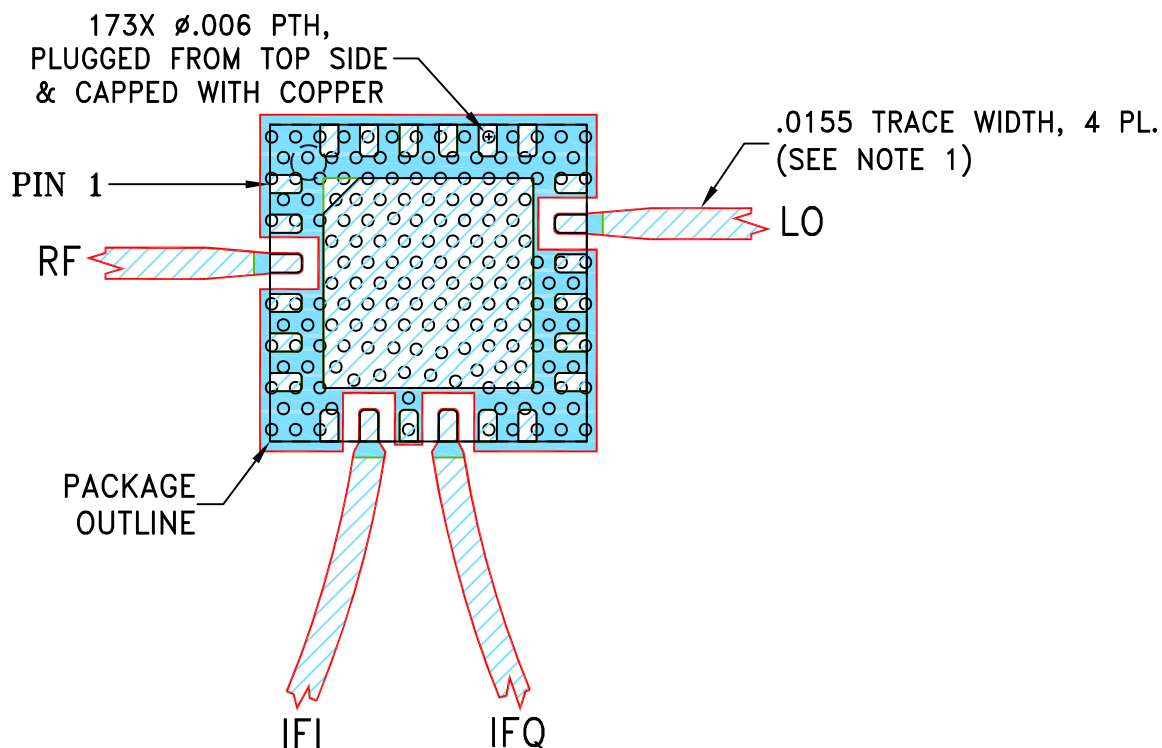
THIRD ANGLE PROJECTION



REVISIONS

REV	ECN No.	DESCRIPTION	DATE	DR	AUTH
OR	ECO-023655	NEW RELEASE	11/20/24	ITG	IL

SUGGESTED MOUNTING CONFIGURATION FOR  
DG1847 CASE STYLE



NOTES:

1. TRACE WIDTH IS SHOWN FOR ROGERS R04003C, DIELECTRIC THICKNESS .008"; COPPER: 1 OZ. EACH SIDE. FOR OTHER MATERIALS TRACE WIDTH AND GAP MAY NEED TO BE MODIFIED.
2. BOTTOM SIDE OF THE PCB IS CONTINUOUS GROUND PLANE.

- DENOTES PCB COPPER LAYOUT WITH SMOBC (SOLDER MASK OVER BARE COPPER).
- DENOTES COPPER LAND PATTERN FREE OF SOLDER MASK.

UNLESS OTHERWISE SPECIFIED	INITIALS		DATE
DIMENSIONS ARE IN INCHES	DRAWN	ITG	11/20/24
TOLERANCES ON:	CHECKED	GF	11/20/24
2 PL DECIMALS ±	APPROVED	IL	11/20/24
3 PL DECIMALS ± .005			
ANGLES ±			
FRACTIONS ±			



**Mini-Circuits®**

13 Neptune Avenue  
Brooklyn NY 11235

**PL, DG1847, TB-SMIQ-263HC+**

Mini-Circuits®  
THIS DOCUMENT AND ITS CONTENTS ARE THE PROPERTY OF MINI-CIRCUITS. EXCEPT FOR USE EXPRESSLY GRANTED, IN WRITING, TO ITS VENDORS, VENDEE AND THE UNITED STATES GOVERNMENT, MINI-CIRCUITS RESERVES ALL PROPRIETARY DESIGN, USE, MANUFACTURING AND REPRODUCTION RIGHTS THERETO. THESE CONTENTS SHALL NOT BE USED, DUPLICATED OR DISCLOSED TO ANY OUTSIDE PARTY, IN WHOLE OR IN PART, WITHOUT WRITTEN PERMISSION OF MINI-CIRCUITS.

SIZE	CODE IDENT	DRAWING NO:	REV:
A	15542	98-PL-805	OR
FILE:	98PL805	SCALE:	SHEET:
		10:1	1 OF 1