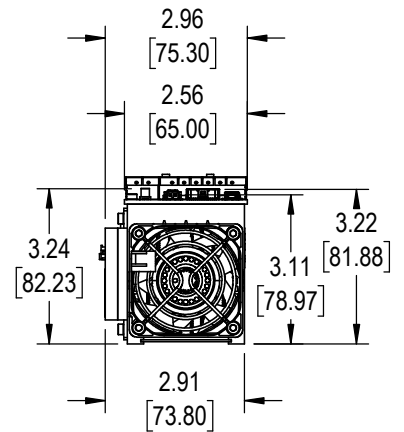
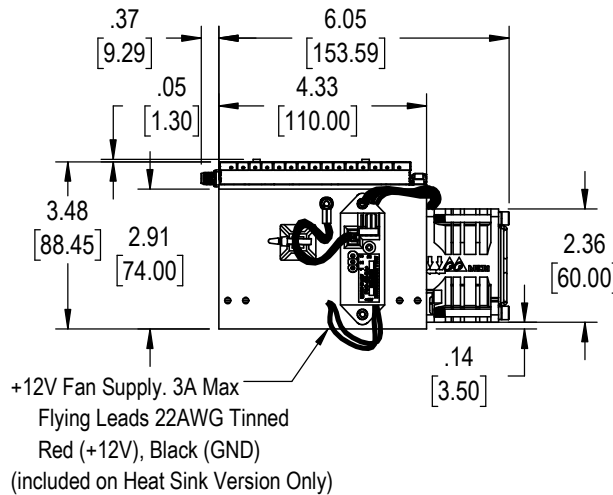
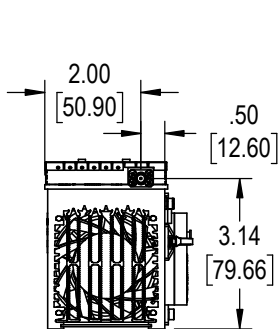
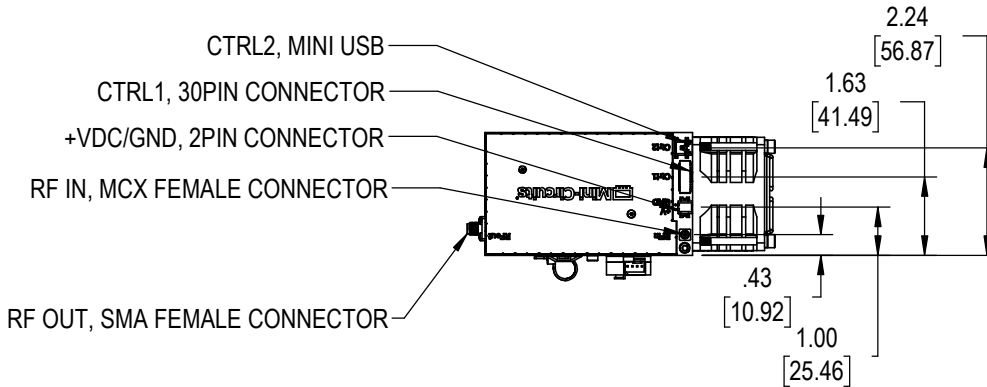
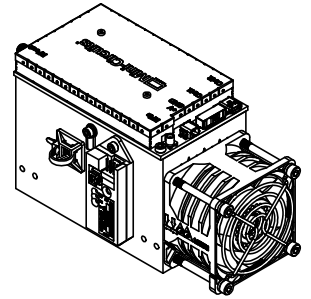
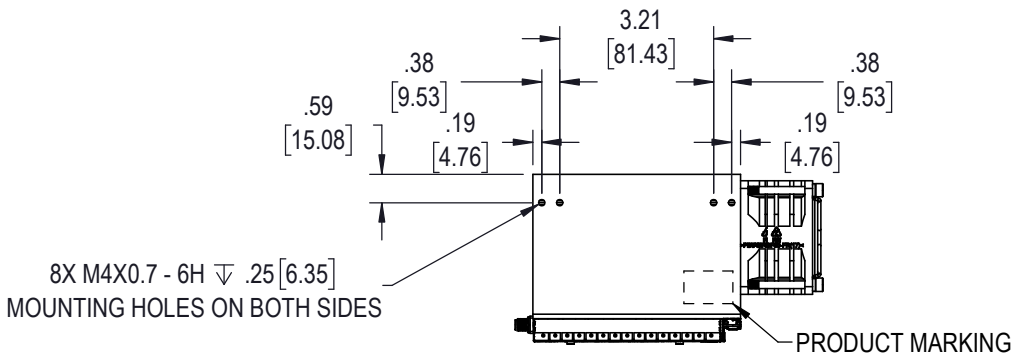


Case Style

VU

VU3689



NOTES:

1. HEATSINK MATERIAL: ALUMINUM
2. HEATSINK FINISH: BLACK ANODIZED
3. DIMENSIONS ARE IN INCHES [mm]. TOLERANCES: 1 PL. ± 0.05 INCH, 2 PL. ± 0.03 INCH, 3 PL. ± 0.015 INCH
4. WEIGHT: 952.50 GRAMS
5. MARKING MAY CONTAIN OTHER FEATURES OR CHARACTERS FOR INTERNAL LOT CONTROL
6. RECOMMENDED SCREWS FOR MOUNTING MODEL: USE M4X0.7; MAX TORQUE 1.01N-m(9IN-LBS).

Mini-Circuits®
ISO 9001 ISO 14001 CERTIFIED

ALL NEW
minicircuits.com

P.O. Box 350166, Brooklyn, New York 11235-0003 (718) 934-4500 Fax (718) 332-4661 For detailed performance specs & shopping online see Mini-Circuits web site



The Design Engineers Search Engine Provides ACTUAL Data Instantly From MINI-CIRCUITS At: www.minicircuits.com

RF/IF MICROWAVE COMPONENTS