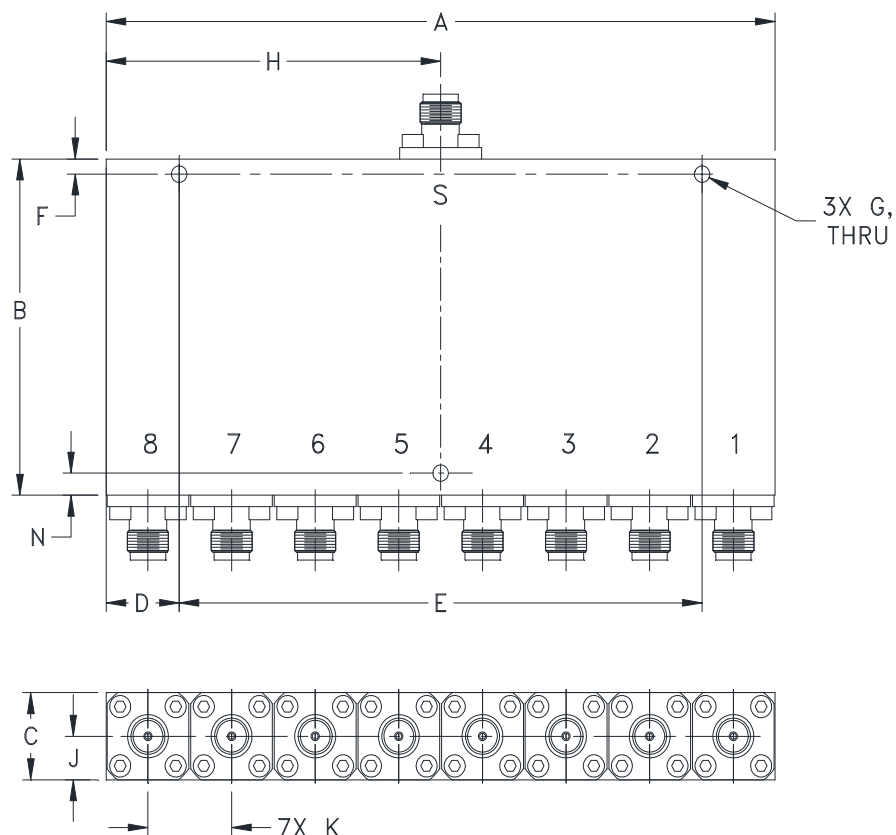


Outline Dimensions

UU2403



CASE#	A	B	C	D	E	F	G	H	J	K	L	M
UU2403	4.09 (103.89)	1.93 (49.02)	.50 (12.70)	.45 (11.43)	3.200 (81.28)	.09 (2.29)	.095 (2.41)	2.05 (52.07)	.25 (6.35)	.512 (13.00)	--	--

CASE#	N	WT. GRAMS
UU2403	.13 3.30	230

Dimensions are in inches (mm). Tolerances: 2 Pl. $\pm .03$; 3 Pl. $\pm .015$

Notes:

- Case material: Aluminum alloy.
- Case finish:
For RoHS Case Styles: Blue Pantone 286U coating, non-chrome or trivalent chrome based.
- Refer to the individual model data sheet for the type of connectors available.



P.O. Box 350166, Brooklyn, New York 11235-0003 (718) 934-4500 Fax (718) 332-4661 For detailed performance specs & shopping online see Mini-Circuits web site



The Design Engineers Search Engine Provides ACTUAL Data Instantly From MINI-CIRCUITS At: www.minicircuits.com

RF/IF MICROWAVE COMPONENTS