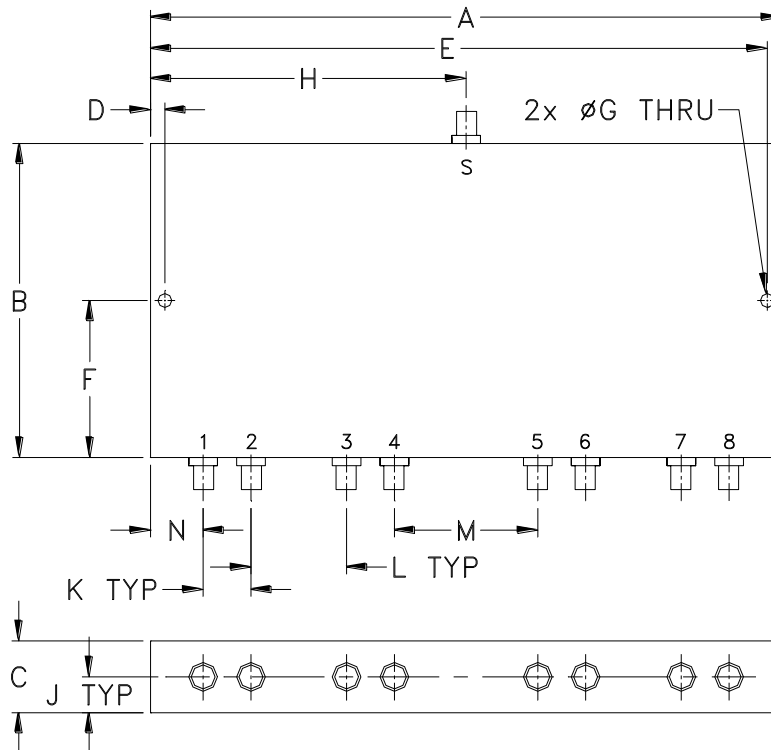


## Outline Dimensions

UU1676



CASE#	A	B	C	D	E	F	G	H	J	K	L
UU1676	6.60 (167.64)	3.28 (83.31)	.75 (19.05)	.150 (3.81)	6.45 (163.83)	1.64 (41.66)	.144 (3.66)	3.30 (83.82)	.38 (9.53)	.500 (12.70)	1.000 (25.40)

CASE#	M	N	WT. GRAMS
UU1676	1.500 (38.10)	.550 (13.97)	360

Dimensions are in inches (mm). Tolerances: 2 Pl.  $\pm .03$ ; 3 Pl.  $\pm .015$

### Notes:

1. Case material: Aluminum alloy.
2. Case finish:  
For RoHS Case Styles: Clear chemical conversion coating, non-chrome or trivalent chrome based.



P.O. Box 350166, Brooklyn, New York 11235-0003 (718) 934-4500 Fax (718) 332-4661 For detailed performance specs & shopping online see Mini-Circuits web site



The Design Engineers Search Engine Provides ACTUAL Data Instantly From MINI-CIRCUITS At: [www.minicircuits.com](http://www.minicircuits.com)

RF/IF MICROWAVE COMPONENTS