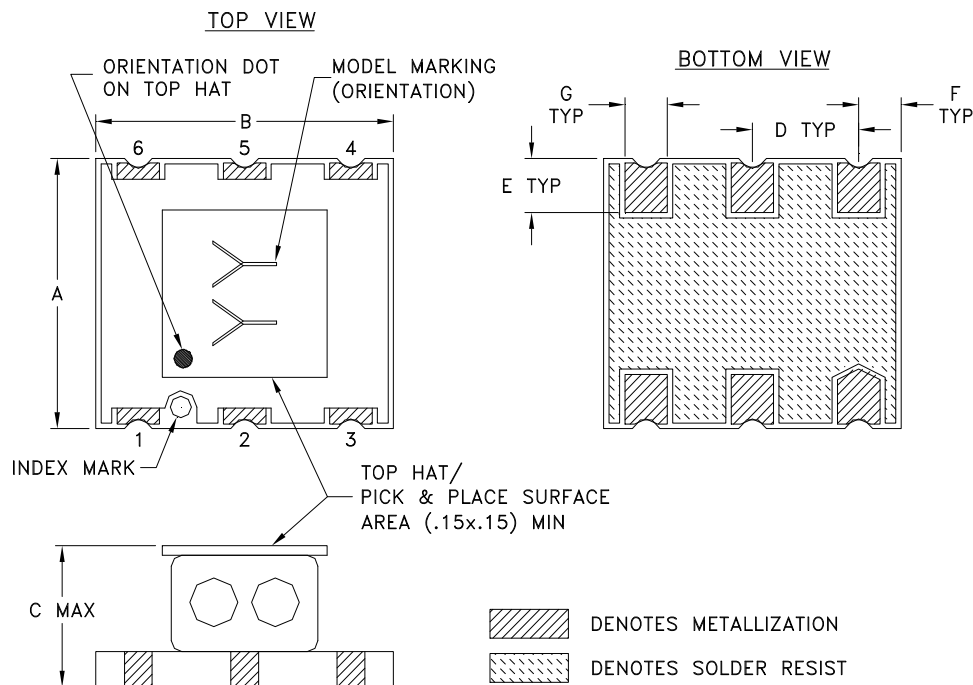
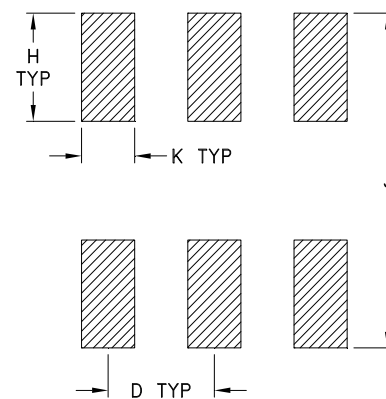


Outline Dimensions

TT2315



PCB Land Pattern



SUGGESTED LAYOUT
TOLERANCE TO BE WITHIN ± 0.02

CASE #	A	B	C	D	E	F	G	H	J	K	WT. GRAMS
TT2315	.250 (6.35)	.280 (7.11)	.140 (3.56)	.100 (2.54)	.050 (1.27)	.040 (1.02)	.040 (1.02)	.100 (2.54)	.310 (7.87)	.050 (1.27)	.35

Dimensions are in inches (mm). Tolerances: 2Pl. $\pm .01$; 3 Pl. $\pm .005$

Notes:

1. Open style, Base material: Printed wiring laminate.
2. Termination finish: 3-5 μ inch (.08-.13 microns) Gold over 120-240 μ inch (3.05-6.10 microns) Nickel plate.
All models, (+) suffix.
3. Top-Hat total thickness: .013 inches MAX.
4. Orientation Dot on Top Hat & PCB corresponds to Pin #1.



P.O. Box 350166, Brooklyn, New York 11235-0003 (718) 934-4500 Fax (718) 332-4661 For detailed performance specs & shopping online see Mini-Circuits web site



The Design Engineers Search Engine Provides ACTUAL Data Instantly From MINI-CIRCUITS At: www.minicircuits.com

RF/IF MICROWAVE COMPONENTS