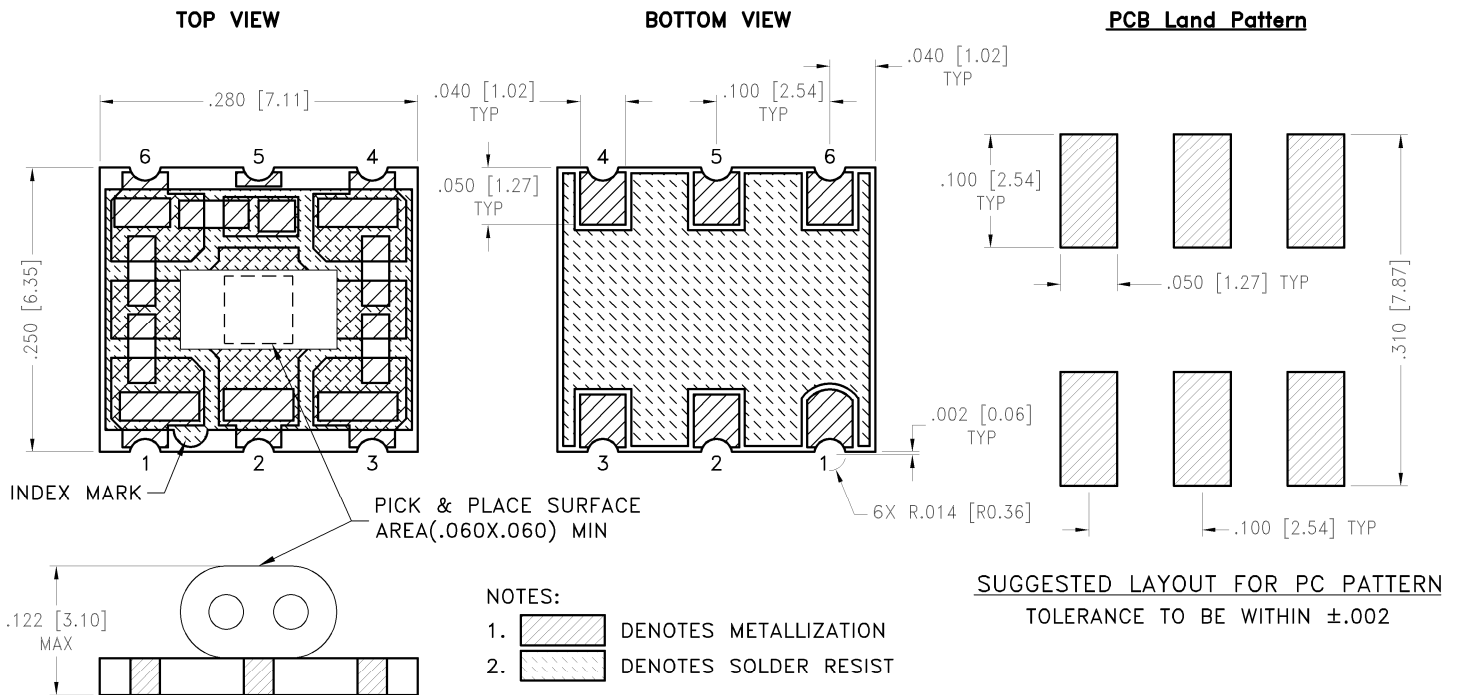


Case Style

Outline Dimensions

TT

TT1491-10



Weight: .472 grams

Dimensions are in inches [mm]. Tolerances: 2 Pl. $\pm .01$ [.254]; 3 Pl. $\pm .005$ [.127]

Notes:

1. Open style, Base material: Printed wiring laminate.
2. Termination finish: 3-5 μ inch (.08-.13 microns) Gold over 120-240 μ inch (3.05-6.10 microns) Nickel plate
All models, (+) suffix.

Mini-Circuits®
ISO 9001 ISO 14001 CERTIFIED

ALL NEW
minicircuits.com

P.O. Box 350166, Brooklyn, New York 11235-0003 (718) 934-4500 Fax (718) 332-4661 For detailed performance specs & shopping online see Mini-Circuits web site



The Design Engineers Search Engine Provides ACTUAL Data Instantly From MINI-CIRCUITS At: www.minicircuits.com

RF/IF MICROWAVE COMPONENTS