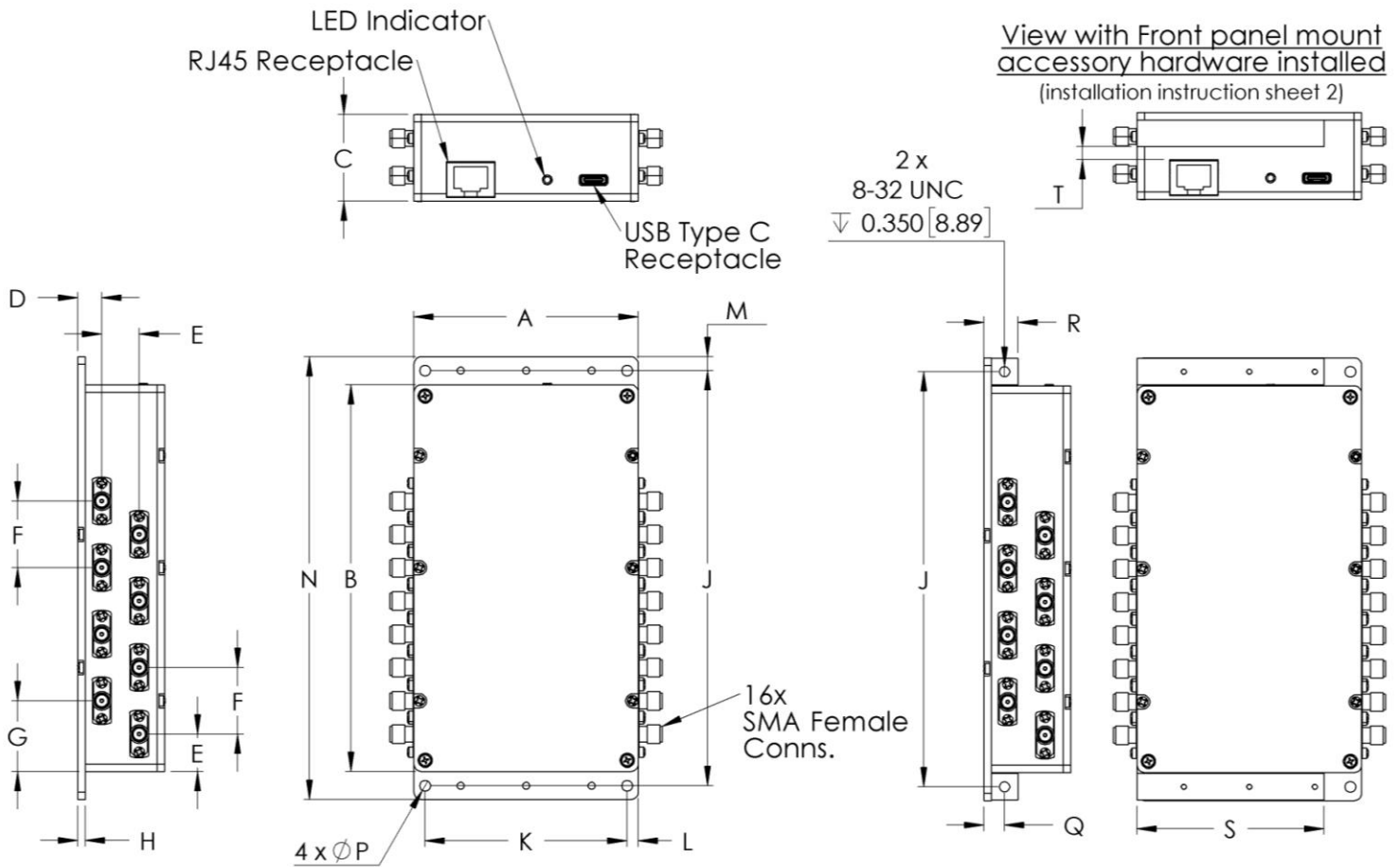


Case Style

QE

Outline Dimensions

QE2899



CASE#	A	B	C	D	E	F	G	H	J	K	L	M	N	P	Q
QE2899	3.00 (76.2)	5.17 (131.3)	1.16 (29.5)	.319 (8.10)	.500 (12.7)	.89 (22.6)	.945 (24.0)	.100 (2.54)	5.550 (140.97)	2.700 (68.58)	.150 (3.81)	.185 (4.70)	5.92 (150.4)	.144 (3.66)	.277 (7.04)

CASE#	R	S	T	WT. GRAMS
QE2899	.454 (11.54)	2.50 (63.5)	.176 (4.46)	700

Notes:

1. Case material: Aluminum.
2. Case finish: Nickel plate.

Mini-Circuits[®]

INTERNET <http://www.minicircuits.com>

P.O. Box 350166, Brooklyn, New York 11235-0003 (718) 934-4500 Fax (718) 332-4661

Distribution Centers NORTH AMERICA 800-654-7949 • 417-335-5935 • Fax 417-335-5945 • EUROPE 44-1252-832600 • Fax 44-1252-837010

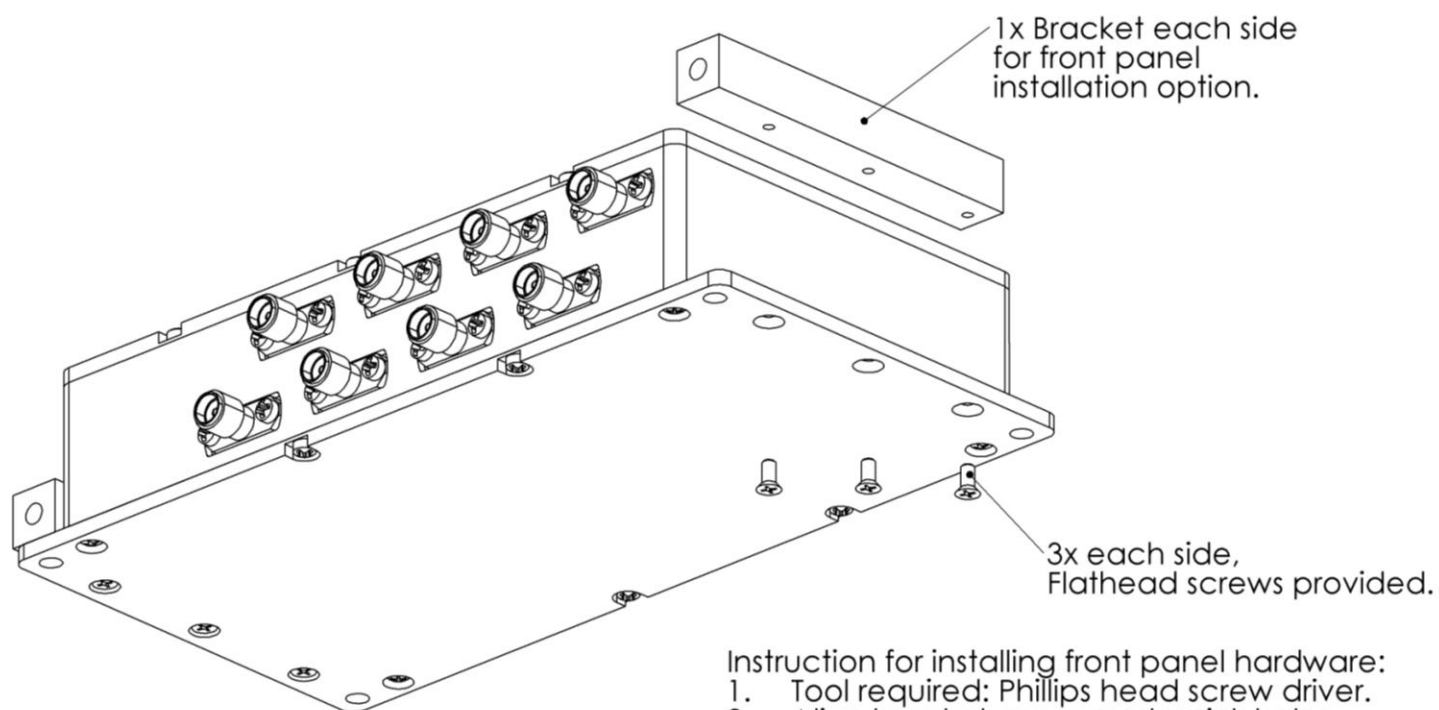
Mini-Circuits ISO 9001 & ISO 14001 Certified

Case Style

QE

Outline Dimensions

QE2899



- Instruction for installing front panel hardware:
1. Tool required: Phillips head screw driver.
 2. Align bracket over counter sink holes.
 3. Secure with screws provided.

 **Mini-Circuits**[®]

INTERNET <http://www.minicircuits.com>

P.O. Box 350166, Brooklyn, New York 11235-0003 (718) 934-4500 Fax (718) 332-4661

Distribution Centers NORTH AMERICA 800-654-7949 • 417-335-5935 • Fax 417-335-5945 • EUROPE 44-1252-832600 • Fax 44-1252-837010

Mini-Circuits ISO 9001 & ISO 14001 Certified