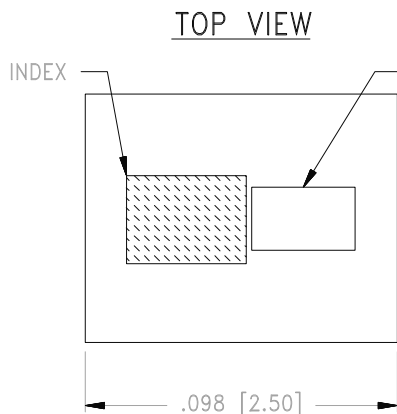
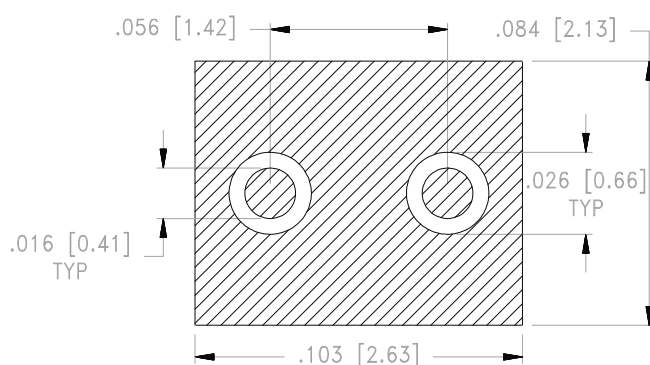
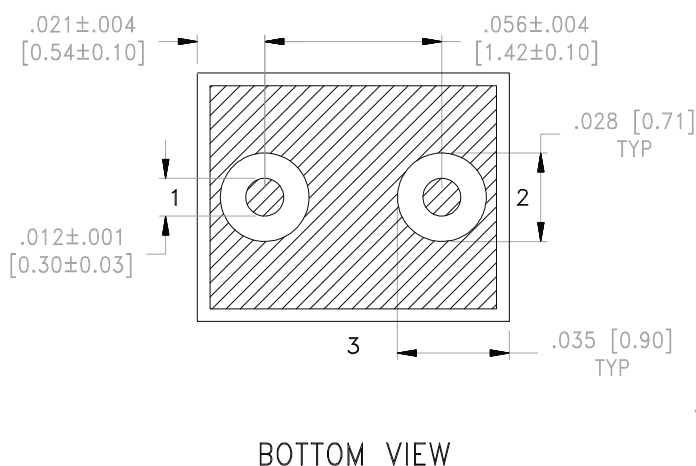
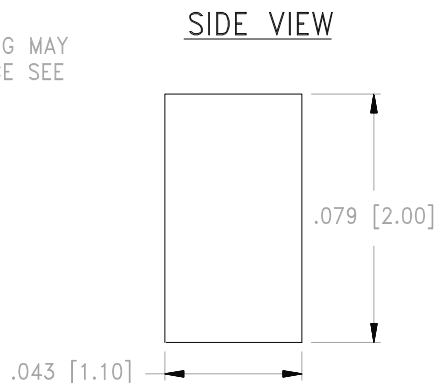


Outline Dimensions

NL1008C-10



ALPHANUMERIC MARKING MAY APPEAR ON THE DEVICE SEE SPECIFIC MODELS



 METALLIZATION

SUGGESTED LAYOUT FOR PCB LAND PATTERN
PATTERN TO BE WITHIN $\pm .002$

Dimensions are in inches (mm). Tolerances: 2Pl. $\pm .01$; 3Pl. $\pm .005$

Notes:

1. Open style, Ceramic base.
2. Termination finish: **as shown below or indicated on Data sheet.**
For RoHS Case Styles: Gold plate over nickel plate. All models, (+) suffix.
3. Weight: .019 grams.
4. Pad tolerance is non-cumulative.


ISO 9001 ISO 14001 CERTIFIED

ALL NEW


P.O. Box 350166, Brooklyn, New York 11235-0003 (718) 934-4500 Fax (718) 332-4661 For detailed performance specs & shopping online see Mini-Circuits web site



The Design Engineers Search Engine Provides ACTUAL Data Instantly From MINI-CIRCUITS At: www.minicircuits.com

RF/IF MICROWAVE COMPONENTS