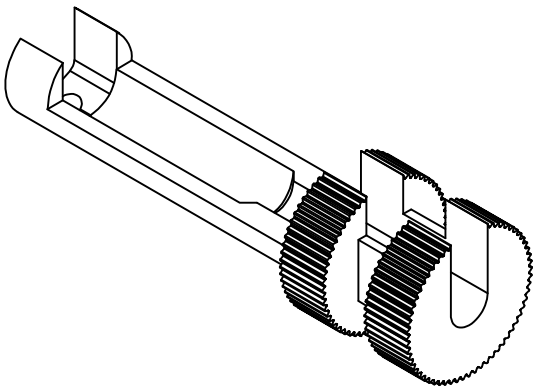
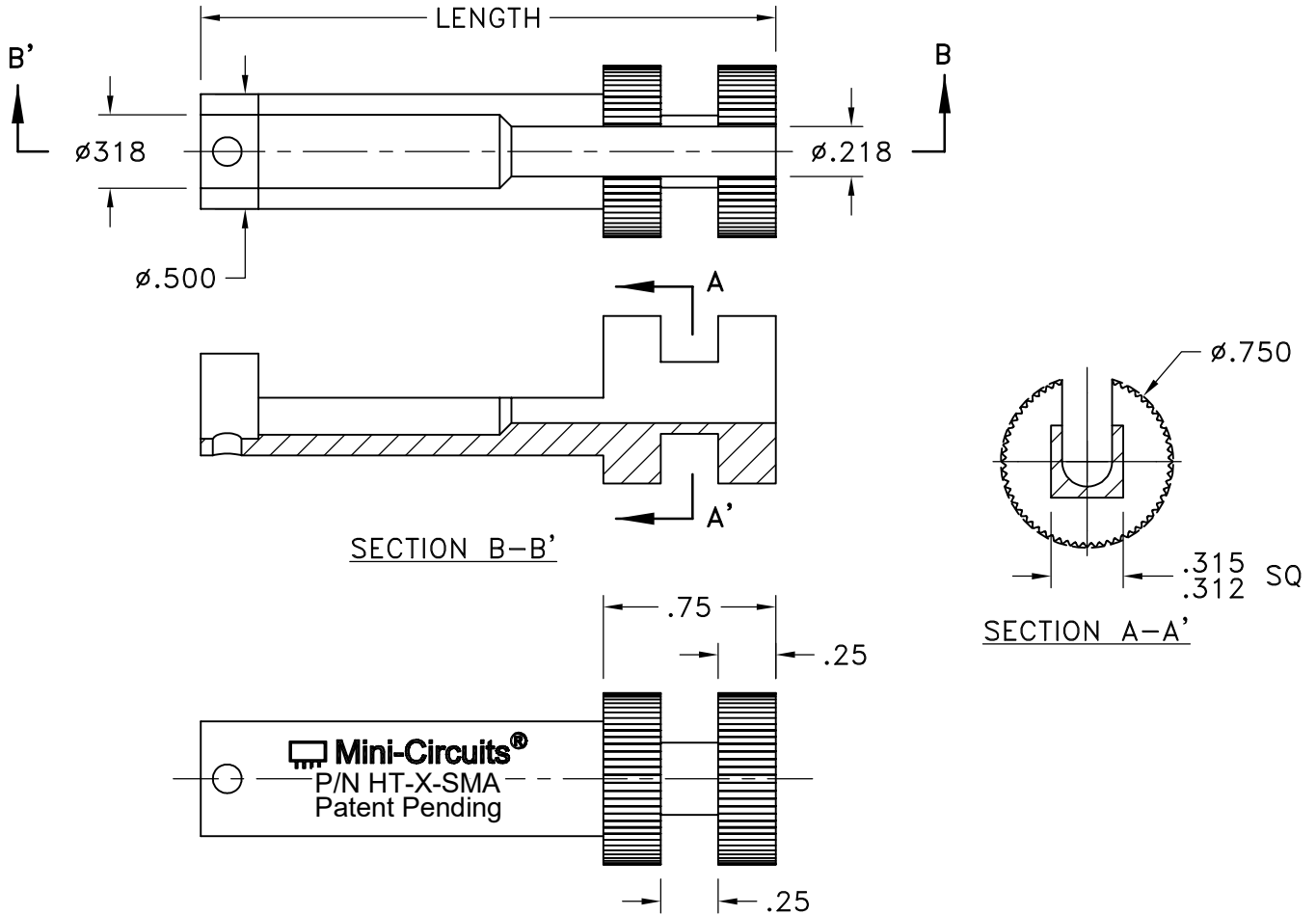


## Outline Dimensions

### MY-1E



CASE #	LENGTH	WT GRAMS
MY-1E-004	2.50 (63.50)	13.2
MY-1E-005	4.00 (101.60)	18.5
MY-1E-008	8.00 (203.20)	34.0

Dimensions are in inches (mm). Tolerances: 2 Pl. ± .01; 3 Pl. ± .005

#### Notes:

1. Case material: Aluminum alloy.
2. Case Finish: Blue Anodize.
3. Marking per model.



P.O. Box 350166, Brooklyn, New York 11235-0003 (718) 934-4500 Fax (718) 332-4661 For detailed performance specs & shopping online see Mini-Circuits web site



The Design Engineers Search Engine Provides ACTUAL Data Instantly From MINI-CIRCUITS At: [www.minicircuits.com](http://www.minicircuits.com)

RF/IF MICROWAVE COMPONENTS