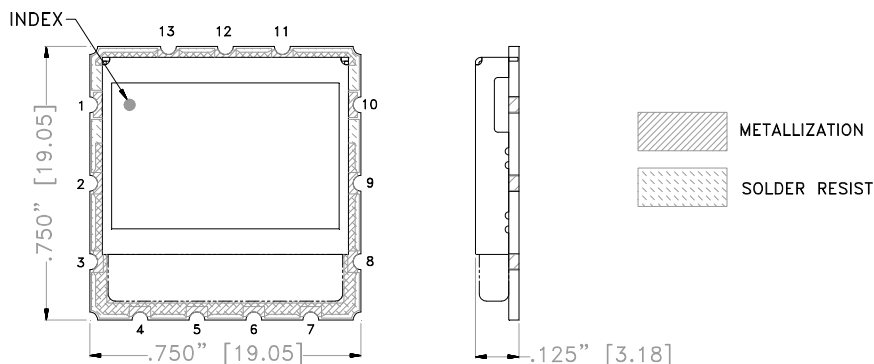


# Case Style

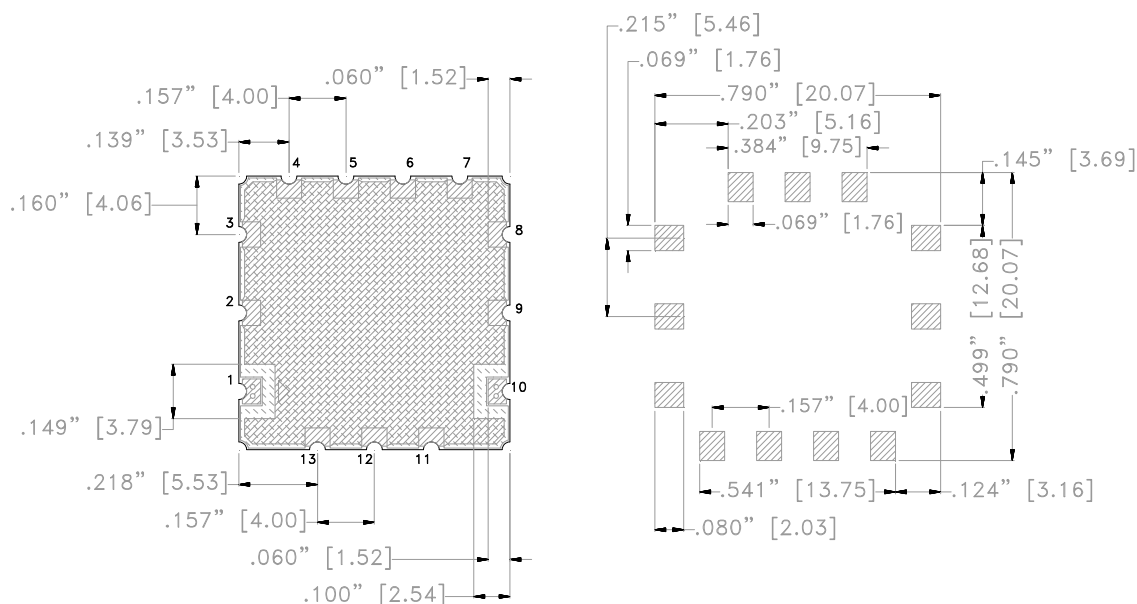
# MP

## Outline Dimension

## MP1766-3



### SUGGESTED LAYOUT FOR PCB PATTERN



Dimensions are in inches (mm). Tolerances: 2Pl.  $\pm .010$ ; 3Pl.  $\pm .005$

### Notes:

1. Base: Printed wiring laminate.
2. Unit Weight: 2.3 gram

**Mini-Circuits®**  
ISO 9001 ISO 14001 CERTIFIED

ALL NEW  
minicircuits.com

P.O. Box 350166, Brooklyn, New York 11235-0003 (718) 934-4500 Fax (718) 332-4661 For detailed performance specs & shopping online see Mini-Circuits web site



The Design Engineers Search Engine Provides ACTUAL Data Instantly From MINI-CIRCUITS At: [www.minicircuits.com](http://www.minicircuits.com)

RF/IF MICROWAVE COMPONENTS