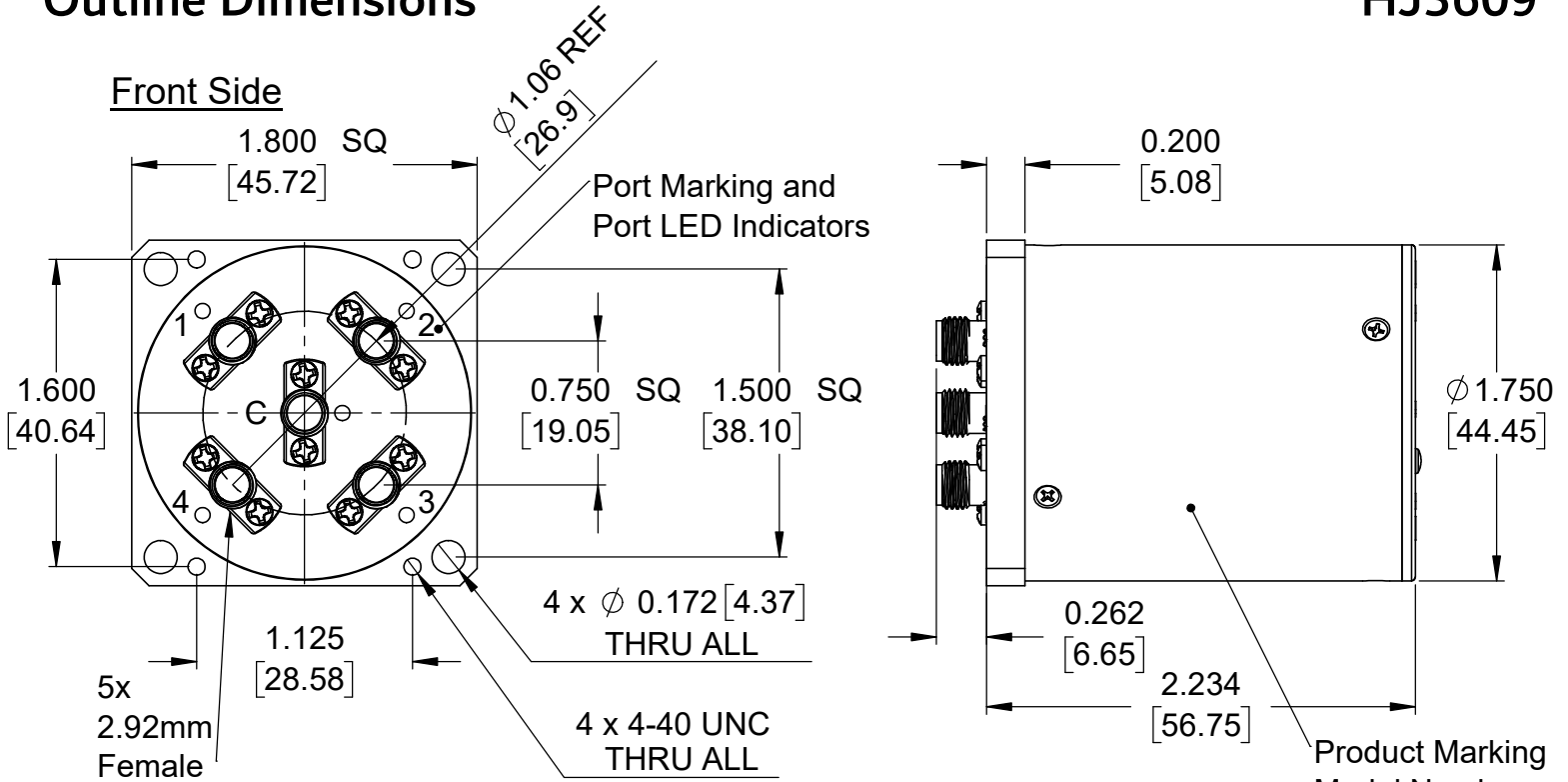
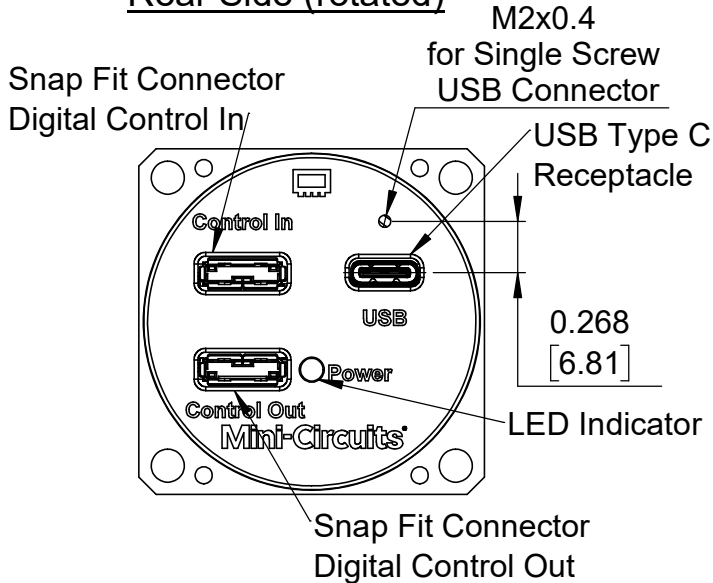


## Outline Dimensions

## HJ3609



### Rear Side (rotated)



#### NOTES:

1. Case material: Aluminum alloy.
2. Case Finish: Nickel Plate. Cover: Stainless Steel
3. Dimensions are in inches [mm]. Tolerances 2 Pl.  $\pm 0.03$  inch; 3 Pl.  $\pm 0.015$  inch.
4. Weight: 175 grams
5. Marking may contain other features or characters for internal lot control.



www.minicircuits.com P.O. Box 350166, Brooklyn, NY 11235-0003 (718) 934-4500 sales@minicircuits.com