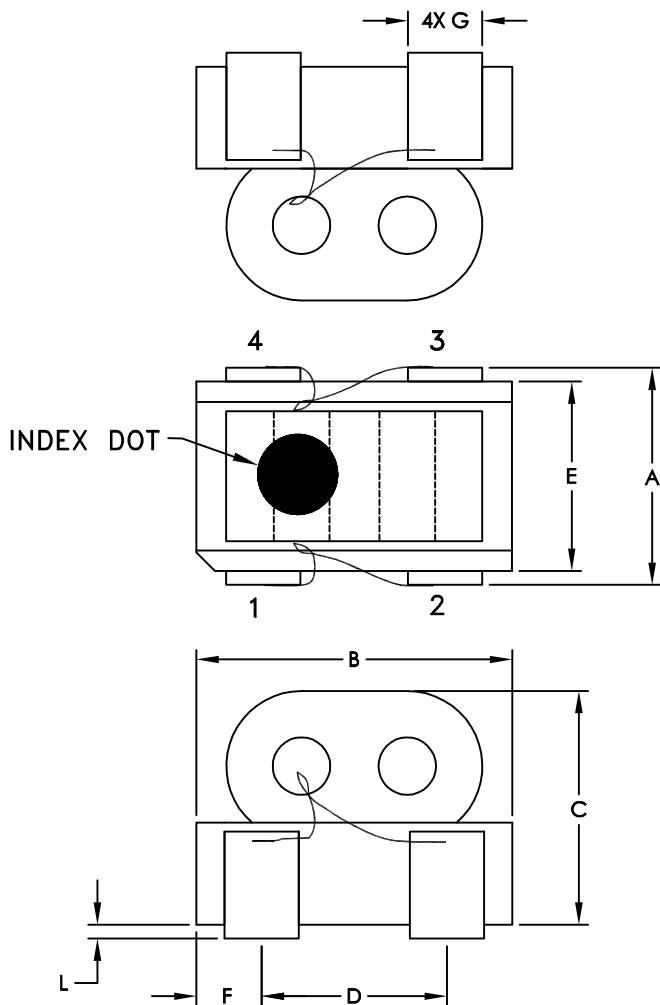


Case Style

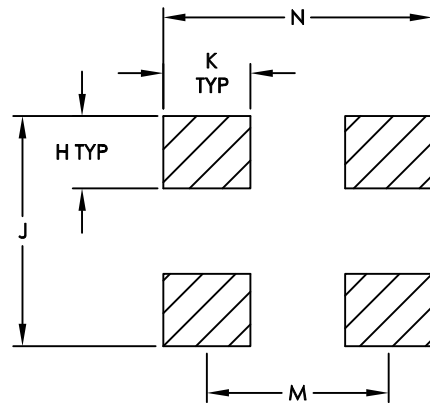
GU

Outline Dimensions

GU2644



PCB Land Pattern



Suggested Layout
Tolerance to be within $\pm .002$

Wires shown are for reference only.

| CASE # | A | B | C | D | E | F | G | H | J | K | L | M | N | WT, GRAM |
|--------|----------------|----------------|----------------|----------------|----------------|---------------|----------------|---------------|----------------|----------------|----------------|----------------|----------------|----------|
| GU2644 | .117 (2.97) | .170 (4.32) | .130 (3.30) | .100 (2.54) | .102 (2.59) | .035 (.89) | .040 (1.02) | .039 (.99) | .124 (3.15) | .047 (1.19) | .007 (.018) | .098 (2.49) | .145 (3.68) | .10 |

Dimensions are in inches (mm). Tolerances: 2 Pl. $\pm .01$; 3 Pl. $\pm .005$

Notes:

1. Case material: Plastic Base.
2. Termination finish: Tin Plate.

Mini-Circuits®
ISO 9001 ISO 14001 CERTIFIED

ALL NEW
minicircuits.com

P.O. Box 350166, Brooklyn, New York 11235-0003 (718) 934-4500 Fax (718) 332-4661 For detailed performance specs & shopping online see Mini-Circuits web site



The Design Engineers Search Engine Provides ACTUAL Data Instantly From MINI-CIRCUITS At: www.minicircuits.com

RF/IF MICROWAVE COMPONENTS