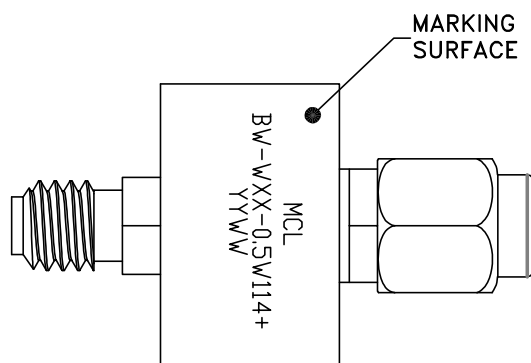
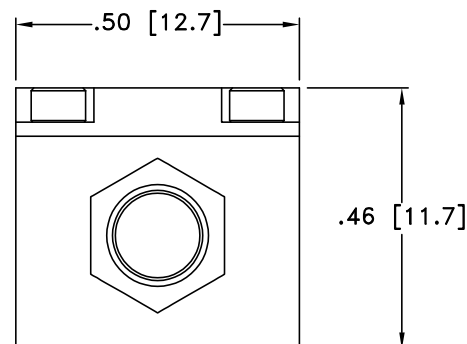
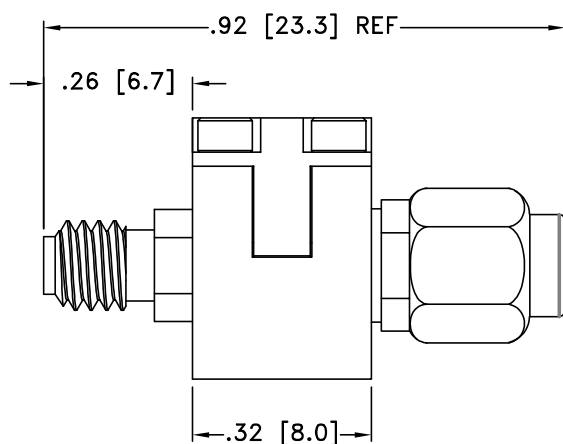
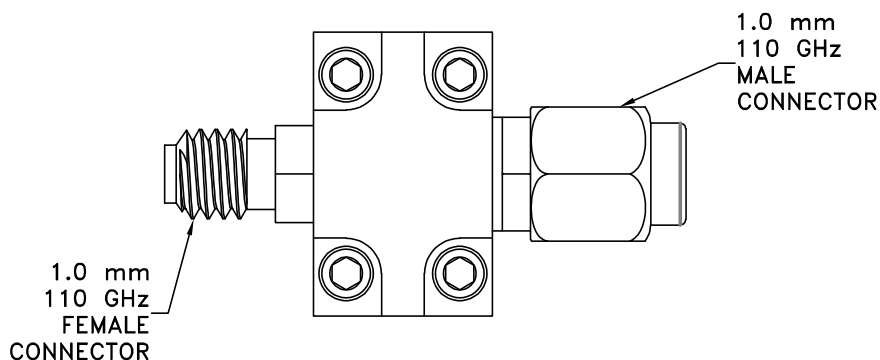


Case Style

FF

Outline Dimensions

FF3501



Weight: 7.0 grams MAX

Dimensions are in inches [mm]. Tolerances: 2 Pl. $\pm .03$ [.76]; 3 Pl. $\pm .015$ [.38] inches [mm]

Notes:

1. Case material: Aluminum Alloy.
2. Finish: Chemical conversion per MIL-STD-5541.

Mini-Circuits®
ISO 9001 ISO 14001 CERTIFIED

ALL NEW
minicircuits.com

P.O. Box 350166, Brooklyn, New York 11235-0003 (718) 934-4500 Fax (718) 332-4661 For detailed performance specs & shopping online see Mini-Circuits web site



The Design Engineers Search Engine Provides ACTUAL Data Instantly From MINI-CIRCUITS At: www.minicircuits.com

RF/IF MICROWAVE COMPONENTS