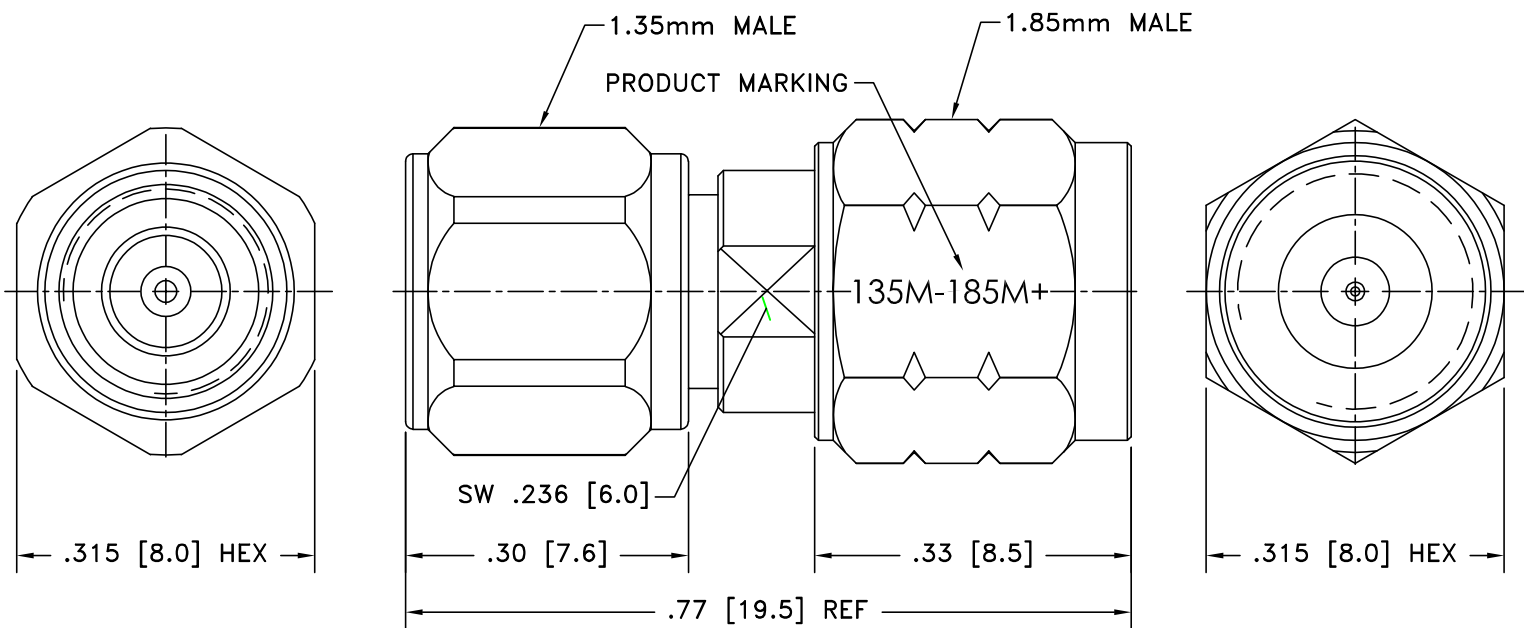


# Case Style

DJ

## Outline Dimensions

DJ3602-10



Weight: 5.1 grams

Dimensions are in inches [mm]. Tolerances: 2 Pl.  $\pm .03$ ; 3 Pl.  $\pm .015$  inches

### Notes:

1. Case material: Stainless Steel.
2. Finish: Passivation.
3. Primary dimensions are in inches [millimeters]. Inch equivalents are calculated and subject to roundoff errors.

**Mini-Circuits®**  
ISO 9001 ISO 14001 CERTIFIED

ALL NEW  
minicircuits.com

P.O. Box 350166, Brooklyn, New York 11235-0003 (718) 934-4500 Fax (718) 332-4661 For detailed performance specs & shopping online see Mini-Circuits web site



The Design Engineers Search Engine Provides ACTUAL Data Instantly From MINI-CIRCUITS At: [www.minicircuits.com](http://www.minicircuits.com)

RF/IF MICROWAVE COMPONENTS