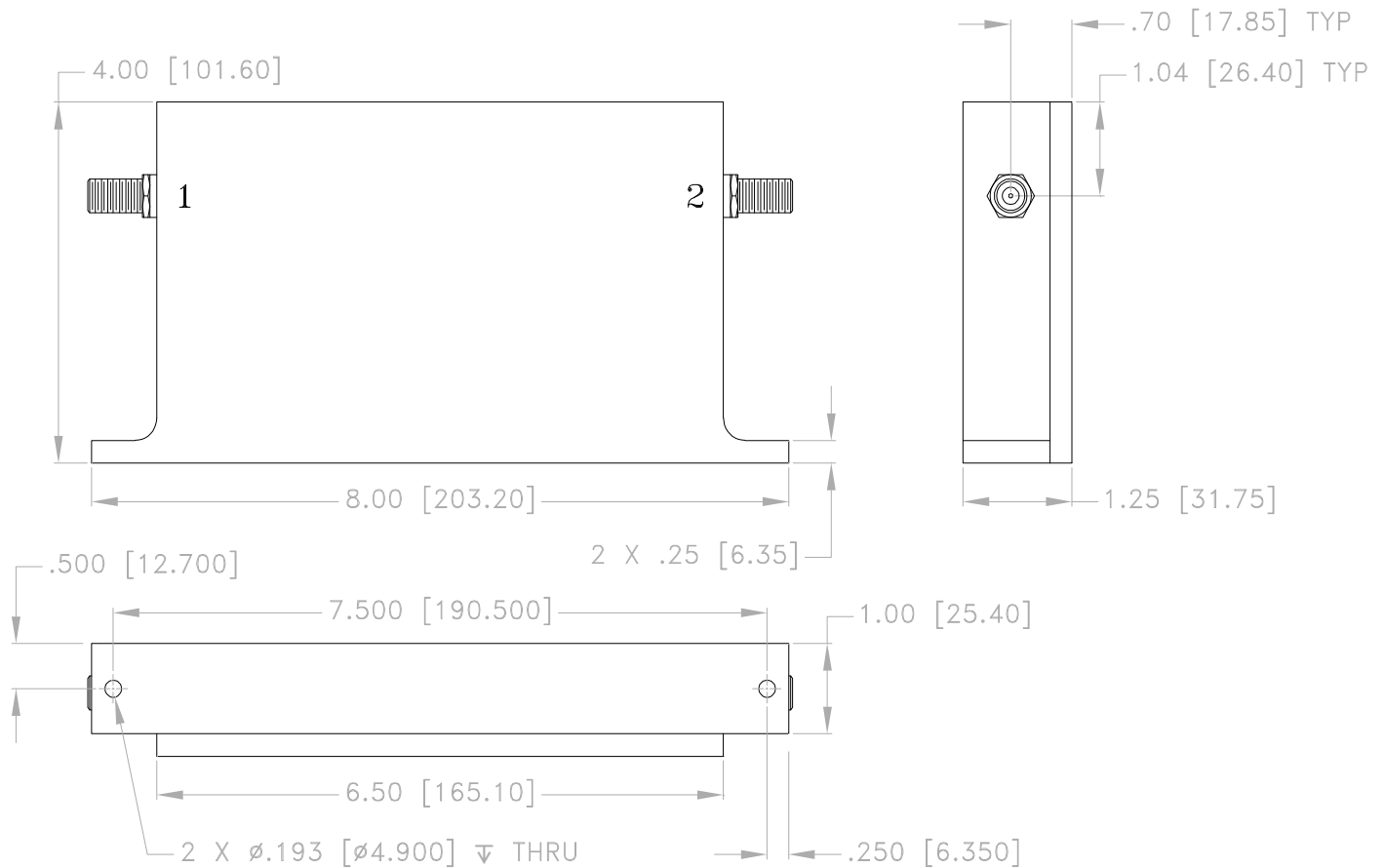


## Outline Dimensions

BAM3636



Dimensions are in inches (mm). Tolerances: 2 Pl.  $\pm .10$ ; 3 Pl.  $\pm .015$

### Notes:

1. Case Material: Aluminum.
2. Case Finish: Powder coated.
3. Unit Weight: 815 Grams.
4. Refer to the individual model data sheet for the type of connectors available.

 **Mini-Circuits®**  
ISO 9001 ISO 14001 CERTIFIED

 ALL NEW  
minicircuits.com

P.O. Box 350166, Brooklyn, New York 11235-0003 (718) 934-4500 Fax (718) 332-4661 For detailed performance specs & shopping online see Mini-Circuits web site



The Design Engineers Search Engine Provides ACTUAL Data Instantly From MINI-CIRCUITS At: [www.minicircuits.com](http://www.minicircuits.com)

RF/IF MICROWAVE COMPONENTS