



MEDIUM POWER, HIGH GAIN

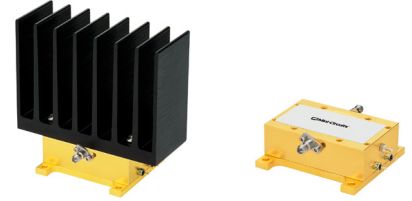
# High-Frequency Amplifier

ZVA-71863HP+  
ZVA-71863HPX+

50Ω 71 to 86 GHz

## THE BIG DEAL

- High gain 38 dB typ. over the entire operating band
- Excellent gain flatness, ±1.5 dB typ.
- High Psat = 24 dBm typ.
- Adjustable DC voltage, +10 to +15 V



Generic photo used for illustration purposes only

## APPLICATIONS

- Automotive tests
- Radar/Sensing
- 5G FR2+ bands (E-band)
- SATCOM
- Wireless Infrastructure
- Imaging

Model No.	ZVA-71863HP+	ZVA-71863HPX+
Case Style	WC3071-5	
Connectors	1.0mm Female	

**+RoHS Compliant**  
The +Suffix identifies RoHS Compliance. See our web site for RoHS Compliance methodologies and qualifications

## PRODUCT OVERVIEW

Mini-Circuits' ZVA-71863HP+ is a coaxial, medium power high frequency amplifier, operating from 71 to 86 GHz. This model operates over a single positive supply range of +10 to +15 V, allowing users to choose their desired operating voltage. Internal DC-DC conversion circuitry maintains constant efficiency over the full input voltage range. The amplifier incorporates several DC-protection features, such as over-voltage, reverse voltage and in-rush current, that protect the amplifier from damage if mishandled during operation. The high frequency operation combined with high gain and medium output power makes this amplifier an ideal choice for automotive, radar/sensing applications, and 5G testing for E-band.

## KEY FEATURES

Feature	Advantages
High Freq amplifier, 71 to 86 GHz	E-band MPA focusing on new 5G, Automotive (77 to 81 GHz) SATCOM, E-bands (71 to 76 GHz, 81 to 86 GHz), Test & Measurement etc.
Heatsink option	Model ZVA-71863HP+ comes with a heatsink, keeping the amplifier cool to the touch during normal operation at room temperature
High gain Low VSWR Medium output power	The amplifier provides 38 dB (typ.) of gain over the entire operating band, and has high output power at saturation of 24 dBm (typ.) which makes it a good choice for applications that require a medium or high power amplifier at high frequency
Adjustable DC supply voltage	The device is capable of operating from +10 to +15 V with consistent DC power consumption
DC Protection – Over-voltage Reverse voltage In-rush current	The internal DC circuitry allows the amplifier to be protected from external mishandling, that could lead to catastrophic failures in the field

REV. OR  
ECO-011633  
ZVA-71863HP+  
MCL NY  
220316





MEDIUM POWER, HIGH GAIN

# High-Frequency Amplifier

ZVA-71863HP+  
ZVA-71863HPX+

Mini-Circuits

## ELECTRICAL SPECIFICATIONS AT 25 °C BASEPLATE

Parameter	Condition (MHz)	ZVA-71863HP+ <sup>3</sup> ZVA-71863HPX+ <sup>4</sup>			Units
		Min.	Typ.	Max.	
Frequency Range		71000		86000	MHz
Gain	71000 – 86000	31.0	37.0	-	dB
Output Power at 1dB Compression	71000 – 86000	19.5	22.0	-	dBm
Output Power at Saturation	71000 – 86000	21.5	24.0	-	dBm
Input VSWR	71000 – 86000	-	1.6	-	:1
Output VSWR <sup>1</sup>	71000 – 86000	-	1.6	-	:1
Operating DC Voltage		+10	-	+15	V
Device Operating Current at +10 V <sup>2</sup>		-	490	975	mA

1. Open and short-circuit loads are not recommended at the amplifier output. Ensure proper 50 Ohm load before turning the amplifier "ON".
2. Max Device Operating Current is specified when the amplifier is in saturation.
3. For units with heatsink, limit ambient temperature to 50 °C.
4. For units without heatsink, limit the maximum baseplate temperature to 60 °C.

## MAXIMUM RATINGS<sup>6</sup>

Parameter	Rating
Operating temperature	ZVA-71863HP+ -40 °C to +50 °C Ambient ZVA-71863HPX+ -40 °C to + 60 °C Baseplate
Storage temperature	-40 °C to +85 °C
Total Power Dissipation	9.6 W
RF Input Power <sup>5</sup> (CW)	0 dBm
DC Operating Voltage	+16 V

5. Specified under matched load to 50 ohms.
6. Continuous operation is not recommended at these extremes. Permanent damage may occur if any of these limits are exceeded.

## DETERMINING MAXIMUM THERMAL RESISTANCE OF USERS' EXTERNAL HEAT SINK

$\text{MAXIMUM THERMAL RESISTANCE} = \frac{\text{MAXIMUM OPERATING CASE TEMP} - \text{MAXIMUM USER AMBIENT TEMP}}{\text{POWER DISSIPATION}}$	
<b>Example:</b>	MAXIMUM OPERATING CASE TEMP = 50 °C (CHECK MAXIMUM RATINGS TABLE FOR THIS VALUE) MAXIMUM USER AMBIENT TEMP = 30 °C (USER DEFINED) POWER DISSIPATION = 10 WATTS (CHECK MAXIMUM RATINGS TABLE FOR THIS VALUE) THEN MAXIMUM ALLOWABLE THERMAL RESISTANCE = 2 °C/W



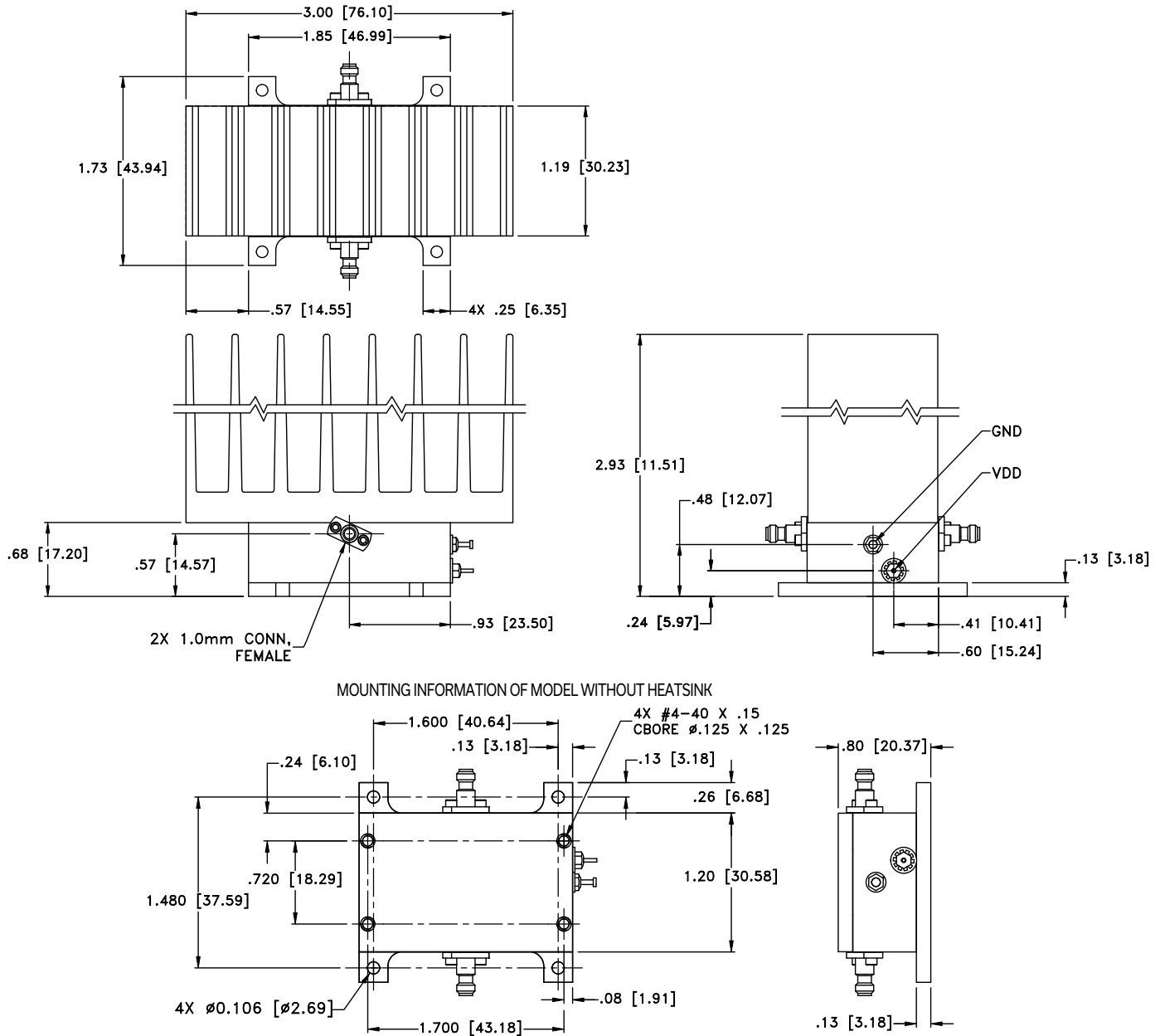


MEDIUM POWER, HIGH GAIN

# High-Frequency Amplifier

ZVA-71863HP+  
ZVA-71863HPX+

## OUTLINE DRAWING



WT. GRAMS 160 grams; WITHOUT HEATSINK GRAMS 60 grams

Dimensions are in inches [mm]. Tolerances: 2 Pl.± .03; 3 Pl. ± .015





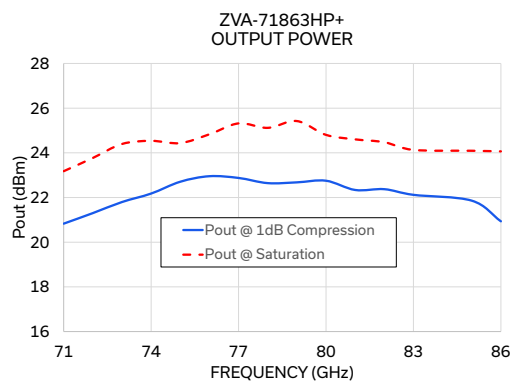
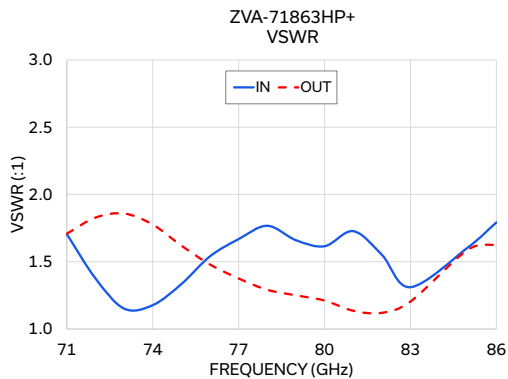
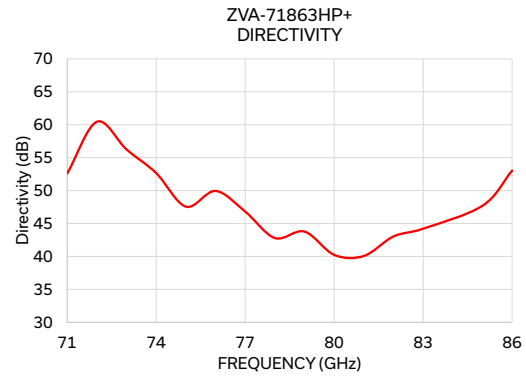
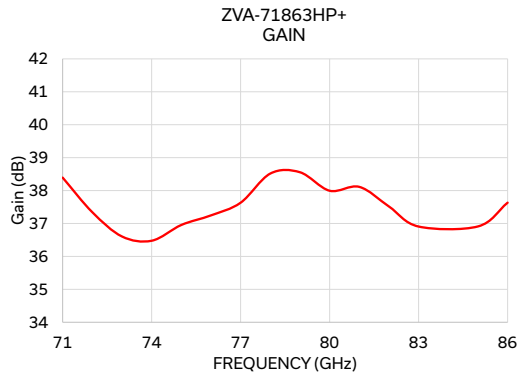
MEDIUM POWER, HIGH GAIN

# High-Frequency Amplifier

ZVA-71863HP+  
ZVA-71863HPX+

## TYPICAL PERFORMANCE DATA

Frequency (GHz)	Gain (dB)	Directivity (dB)	VSWR (:1)		Pout at 1 dB Compr. (dBm)	Pout at Saturation (dBm)
	10V	10V	IN	OUT	10V	10V
71.00	38.39	52.59	1.70	1.71	20.83	23.18
72.00	37.34	60.45	1.38	1.83	21.30	23.77
73.00	36.61	56.24	1.15	1.86	21.80	24.40
74.00	36.48	52.65	1.18	1.78	22.18	24.54
75.00	36.95	47.56	1.33	1.62	22.71	24.44
76.00	37.25	49.94	1.54	1.48	22.95	24.83
77.00	37.63	46.81	1.67	1.38	22.88	25.32
78.00	38.52	42.79	1.77	1.29	22.64	25.12
79.00	38.56	43.77	1.66	1.25	22.68	25.42
80.00	37.99	40.24	1.62	1.21	22.75	24.80
81.00	38.11	40.06	1.73	1.14	22.34	24.60
82.00	37.52	43.04	1.55	1.12	22.37	24.48
83.00	36.91	44.21	1.31	1.20	22.12	24.13
85.00	36.91	47.69	1.61	1.59	21.86	24.09
86.00	37.63	53.03	1.79	1.63	20.93	24.07



- NOTES**
- A. Performance and quality attributes and conditions not expressly stated in this specification document are intended to be excluded and do not form a part of this specification document.
  - B. Electrical specifications and performance data contained in this specification document are based on Mini-Circuit's applicable established test performance criteria and measurement instructions.
  - C. The parts covered by this specification document are subject to Mini-Circuits standard limited warranty and terms and conditions (collectively, "Standard Terms"); Purchasers of this part are entitled to the rights and benefits contained therein. For a full statement of the standard terms and the exclusive rights and remedies thereunder, please visit Mini-Circuits' website at [www.minicircuits.com/MCLStore/terms.jsp](http://www.minicircuits.com/MCLStore/terms.jsp)



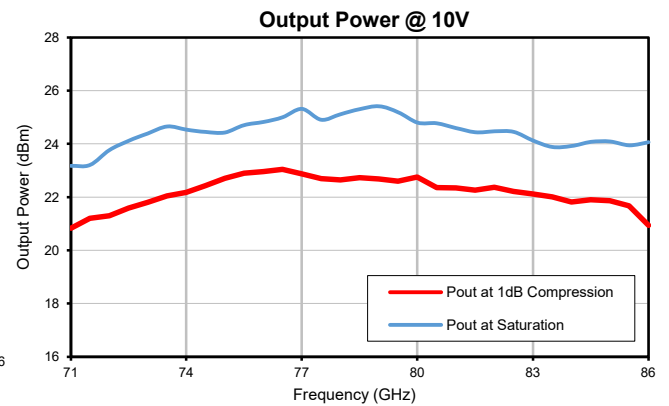
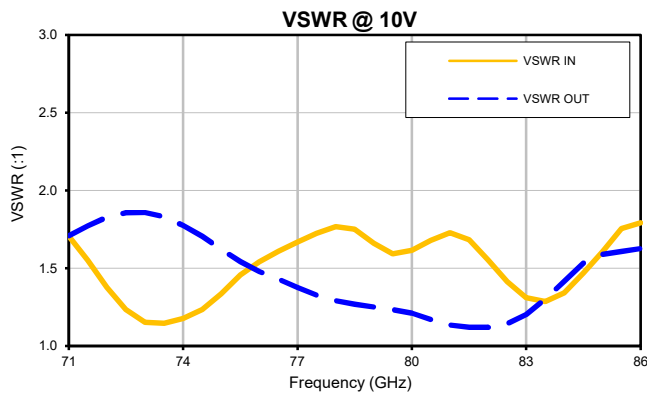
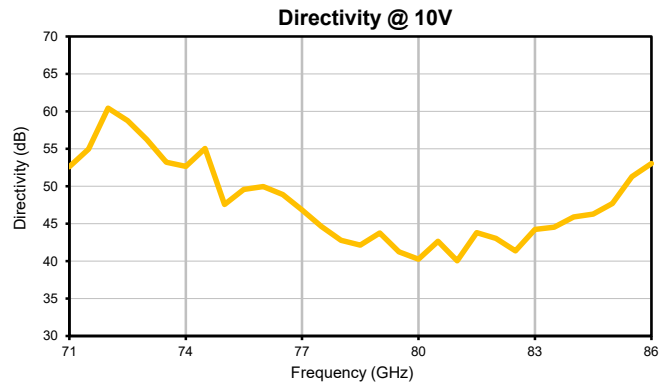
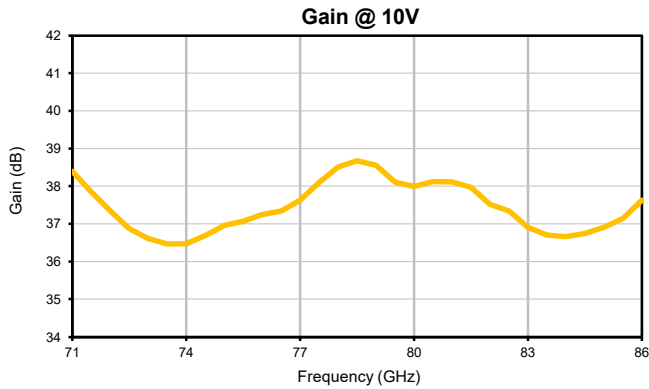
# Coaxial Amplifier

# ZVA-71863HP+

## Typical Performance Data

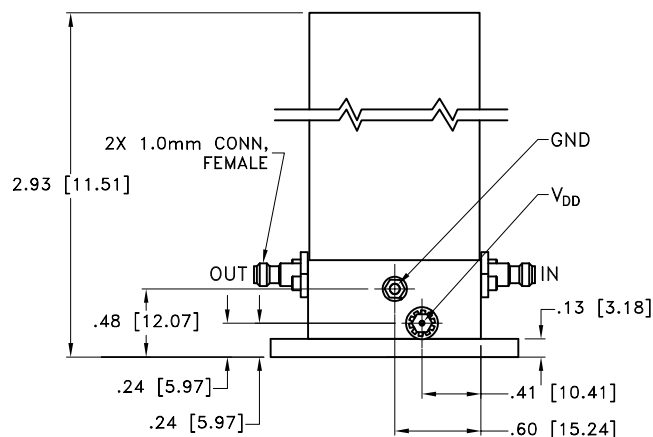
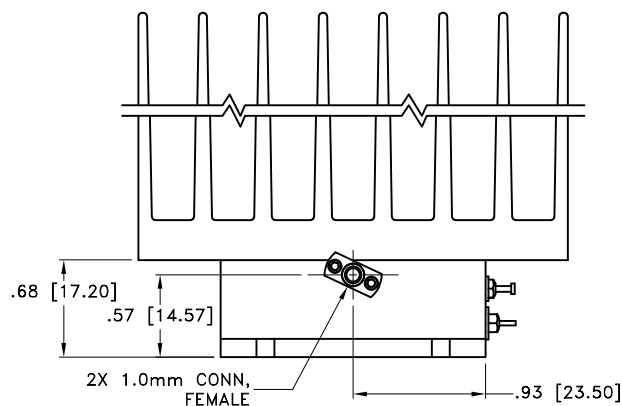
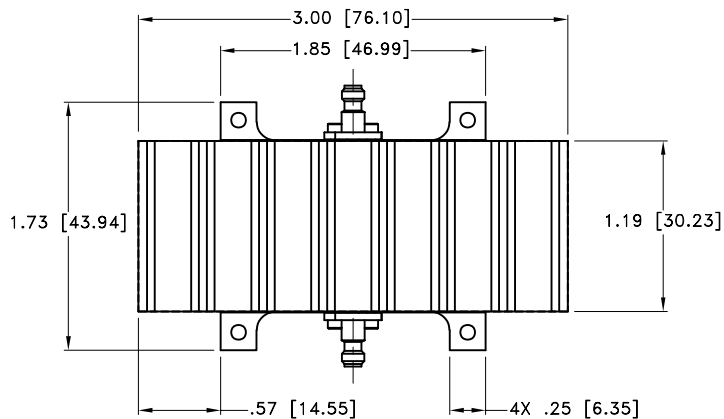
FREQUENCY (GHz)	GAIN (dB) 10V	DIRECTIVITY (dB) 10V	VSWR (:1)		Pout @ 1 dB COMPRESSION (dBm) 10V	Pout at SATURATION (dBm) 10V
			IN 10V	OUT 10V		
71.0	38.39	52.59	1.70	1.71	20.83	23.18
71.5	37.85	54.95	1.55	1.77	21.20	23.21
72.0	37.34	60.45	1.38	1.83	21.30	23.77
72.5	36.87	58.75	1.23	1.86	21.59	24.12
73.0	36.61	56.24	1.15	1.86	21.80	24.40
73.5	36.47	53.18	1.15	1.83	22.05	24.66
74.0	36.48	52.65	1.18	1.78	22.18	24.54
74.5	36.69	55.02	1.23	1.71	22.43	24.45
75.0	36.95	47.56	1.33	1.62	22.71	24.44
75.5	37.07	49.56	1.46	1.54	22.90	24.71
76.0	37.25	49.94	1.54	1.48	22.95	24.83
76.5	37.34	48.86	1.61	1.43	23.05	25.01
77.0	37.63	46.81	1.67	1.38	22.88	25.32
77.5	38.10	44.60	1.72	1.33	22.69	24.91
78.0	38.52	42.79	1.77	1.29	22.64	25.12
78.5	38.68	42.12	1.75	1.27	22.73	25.31
79.0	38.56	43.77	1.66	1.25	22.68	25.42
79.5	38.10	41.23	1.59	1.23	22.59	25.19
80.0	37.99	40.24	1.62	1.21	22.75	24.80
80.5	38.12	42.62	1.68	1.17	22.35	24.78
81.0	38.11	40.06	1.73	1.14	22.34	24.60
81.5	37.97	43.81	1.68	1.12	22.26	24.44
82.0	37.52	43.04	1.55	1.12	22.37	24.48
82.5	37.34	41.34	1.41	1.14	22.21	24.45
83.0	36.91	44.21	1.31	1.20	22.12	24.13
83.5	36.70	44.52	1.28	1.30	22.01	23.89
84.0	36.66	45.91	1.34	1.42	21.82	23.92
84.5	36.75	46.26	1.47	1.53	21.90	24.08
85.0	36.91	47.69	1.61	1.59	21.86	24.09
85.5	37.14	51.26	1.75	1.61	21.67	23.96
86.0	37.63	53.03	1.79	1.63	20.93	24.07

## Typical Performance Curves

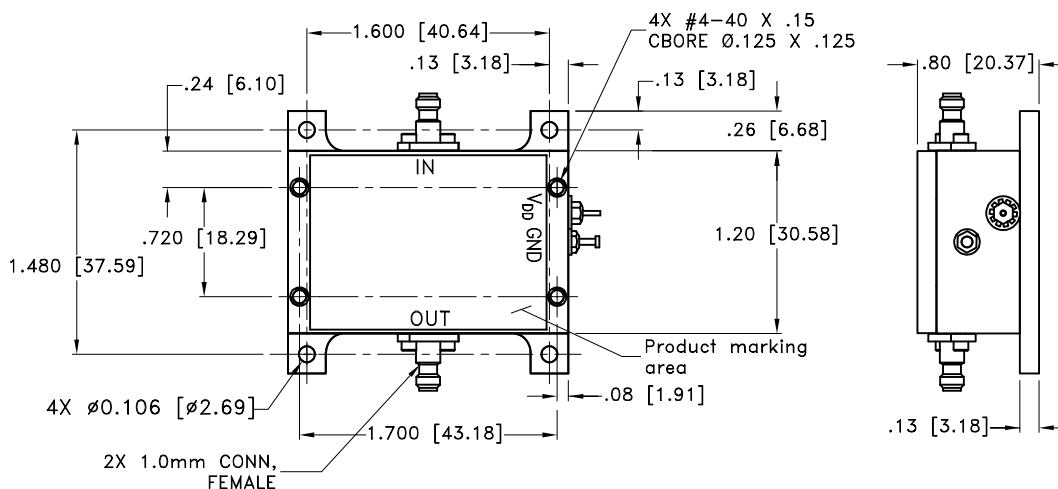


## Outline Dimensions

WC3071-5



### MOUNTING INFORMATION OF MODEL WITHOUT HEATSINK



WT. WT. GRAMS 160 grams; WITHOUT HEATSINK GRAMS 60 grams

Dimensions are in inches [mm]. Tolerances: 2 Pl. ±.03; 3 Pl. ±.015 Inches

#### Notes:

1. Case material: Aluminum.
2. Case finish: Gold plating;
3. Heat sink finish: Black anodize.
4. Refer to the individual model data sheet for the type of connectors available.
5. Shape of connector flange may vary.



P.O. Box 350166, Brooklyn, New York 11235-0003 (718) 934-4500 Fax (718) 332-4661 For detailed performance specs & shopping online see Mini-Circuits web site



The Design Engineers Search Engine Provides ACTUAL Data Instantly From MINI-CIRCUITS At: [www.minicircuits.com](http://www.minicircuits.com)

RF/IF MICROWAVE COMPONENTS

All Mini-Circuits products are manufactured under exacting quality assurance and control standards, and are capable of meeting published specifications after being subjected to any or all of the following physical and environmental test.

<b>Specification</b>	<b>Test/Inspection Condition</b>	<b>Reference/Spec</b>
Operating Temperature	-40° to +60° C Baseplate Temp	Individual Model Data Sheet
Storage Temperature	-40° to +85° C Ambient Environment	Individual Model Data Sheet
Burn-in	(DC on) 72 hours at 25°C	----
Thermal Shock	-40° C to +85°C, 100 cycles	Transition time = 5 mins, Dwell time = 30 mins
Vibration	Random Vibration (non-operating)	MIL-STD-883K, Method 2025, Cond. 1A