



COAXIAL

Temperature Compensated Amplifier

ZVA-18443TC+
ZVA-18443TCX+

50Ω 18 to 43.5 GHz P_{SAT} +31 dBm 2.92 mm-Female

THE BIG DEAL

- Gain Stability over Temperature
- Interactive GUI with Telemetry
- Calibrated to Self-Compensate Gain
- Flat Gain Response, ±2.5 dB from -20°C to +60°C
- High Gain, 45 dB Typ.
- High P_{SAT}, +31 dBm Typ.
- Ideal for Integrated Sub-Systems

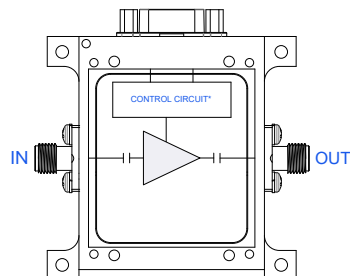


Generic photo used for illustration purposes only

APPLICATIONS

- Wideband Test and Instrumentation
- 5G-FR2 Millimeter Wave Testing
- Aerospace & Defense
- Test and Measurement
- Broadband Telecom
- Ka-Band Satcom

FUNCTIONAL DIAGRAM



PRODUCT OVERVIEW

Mini-Circuits' ZVA-18443TC+ is a coaxial, wideband, medium power amplifier, operating from 18 to 43.5 GHz which automatically adjusts Gain in real time to offset the effects of temperature change. The model operates over a single supply range of +10 to +15 V, allowing users to choose their desired operating voltage. Internal DC-DC conversion circuitry maintains consistent efficiency over the full input voltage range. The amplifier incorporates a full suite of control and diagnostic tools, such as output power monitoring, amplifier fault tracking, internal temperature monitoring, enable/disable functionality for lower power consumption, with ability to self-compensate its Gain over temperature changes. Smaller gain variations over temperature can be achieved in custom narrower bandwidths. Please reach out to factory for more information.

The optional cable harness with integrated TTL to USB converter allows control of the amplifier from a PC moments after unboxing. Several DC-protection features such as over-voltage, reverse voltage, and in-rush current protection protect the amplifier from damage in case of unexpected spikes in voltage during operation. The high gain, low noise, medium power, and wideband frequency operation combined with digital control makes this amplifier an ideal choice for testing and instrumentation applications.

KEY FEATURES

Features	Advantages
Compensated Gain, -20°C to +60°C.	A single amplifier can be used for a variety of applications, where gain or power levels may need to be adjusted without user interface for optimal performance in a system.
Telemetry Reporting	With built in temperature monitoring, power detection and alarm features, this amplifier gives the user valuable information that would otherwise require additional test equipment and control circuitry. See Telemetry Feature table for more information.
Wide DC Operating Voltage, +10 To +15 V	The device can operate from +10 to +15 V, maintaining consistent DC power consumption with no effect on RF performance, and facilitating ease of use in test setups with existing established voltage supplies.
DC Protection <ul style="list-style-type: none"> • Over-voltage • Reverse voltage • In-rush current 	The internal DC circuitry allows the amplifier to be protected from external mishandling or unexpected spikes in voltage that could lead to catastrophic failures in the field.

REV. OR
ECO-022019
ZVA-18443TC+
MCL NY
240620



**COAXIAL**

Temperature Compensated Amplifier

**ZVA-18443TC+
ZVA-18443TCX+**

Mini-Circuits

50Ω 18 to 43.5 GHz P_{SAT} +31 dBm 2.92 mm-Female**ELECTRICAL SPECIFICATIONS AT +25 °C BASEPLATE, $V_s = +10V$**

Parameter	Condition (GHz)	Min.	Typ.	Max.	Units
Frequency Range		18		43.5	GHz
Gain	18 - 26	40	45	—	dB
Output Power at 1dB Compression	26 - 40	+25.0	+29.0	—	dBm
	40 - 43.5	+28.0	+30.5	—	
	18 - 26	+25.0	+28.5	—	
Saturated Output Power (P_{SAT}) ¹	26 - 40	+28.0	+30.5	—	dBm
	40 - 43.5	+29.5	+32.0	—	
	18 - 26	+27.0	+30.0	—	
Output IP3 (Output Power = +14 dBm/tone)	18 - 43.5	—	+41	—	dBm
Noise Figure	18 - 43.5	—	5.5	—	dB
Input Return Loss	18 - 43.5	—	13	—	dB
Output Return Loss	18 - 43.5	—	13	—	dB
DC Supply Voltage (V_s)		+10	—	+15	V
DC Current at +12 V (ZVA-18443TCX+/ZVA-18443TC+)		—	1300/1400	2700/2800 ²	mA

1. At P_{SAT} , P_{OUT} changes less than 0.1 dB for a 1 dB change in P_{IN} 2. Max DC current is measured at P_{SAT} .**TELEMETRY FEATURES**

Feature	Description
Temperature Monitoring	Allows the user to continuously monitor the internal temperature of the amplifier (see page 5 for "TEMP MON OUTPUT VOLTAGE OVER INTERNAL TEMPERATURE OF MODULE" GRAPH)
Mute/Unmute	Allows the user to mute or unmute the amplifier
Output Power Detector	Allows the user to continuously monitor the output power of the amplifier
Alarm	Amplifier will go into alarm if internal temperature or current exceed factory set limits





COAXIAL

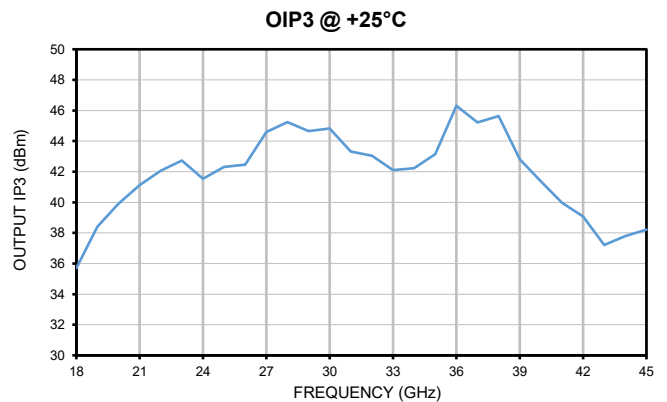
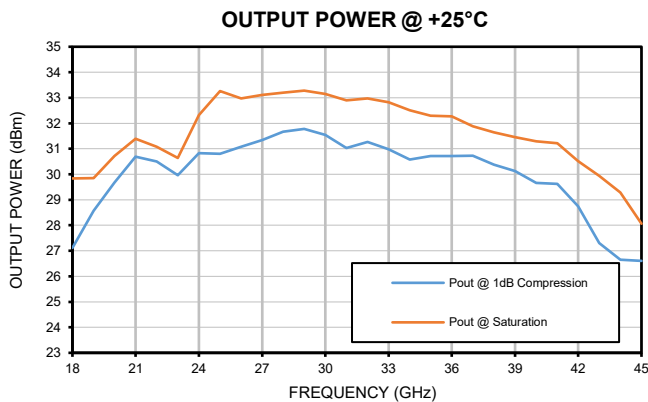
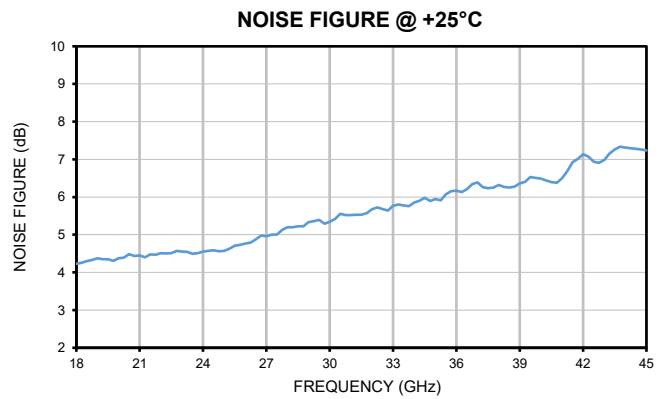
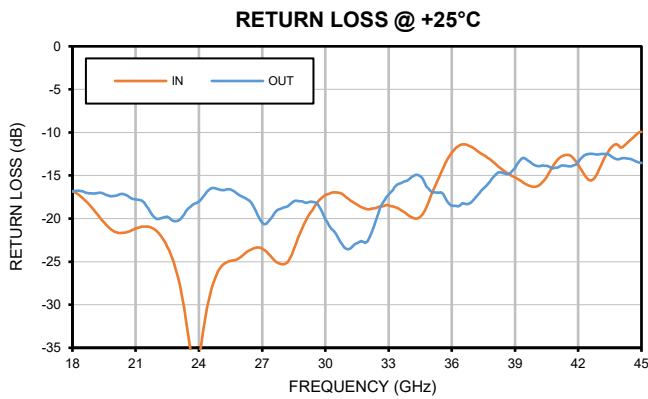
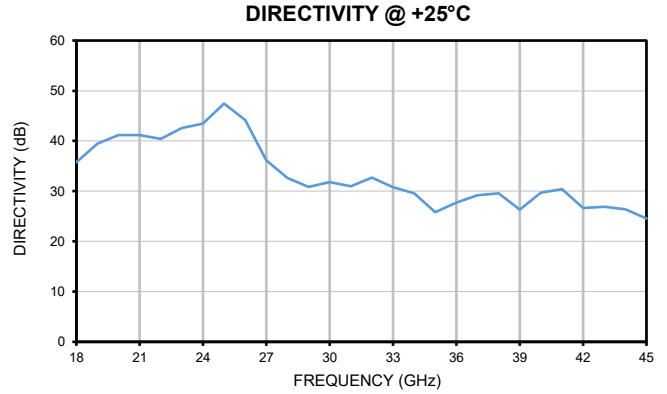
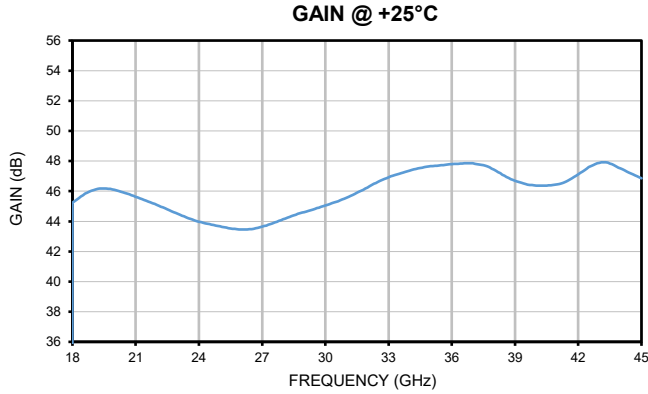
Temperature Compensated Amplifier

ZVA-18443TC+
ZVA-18443TCX+

Mini-Circuits

50Ω 18 to 43.5 GHz $P_{SAT} +31$ dBm 2.92 mm-Female

TYPICAL PERFORMANCE GRAPHS





COAXIAL

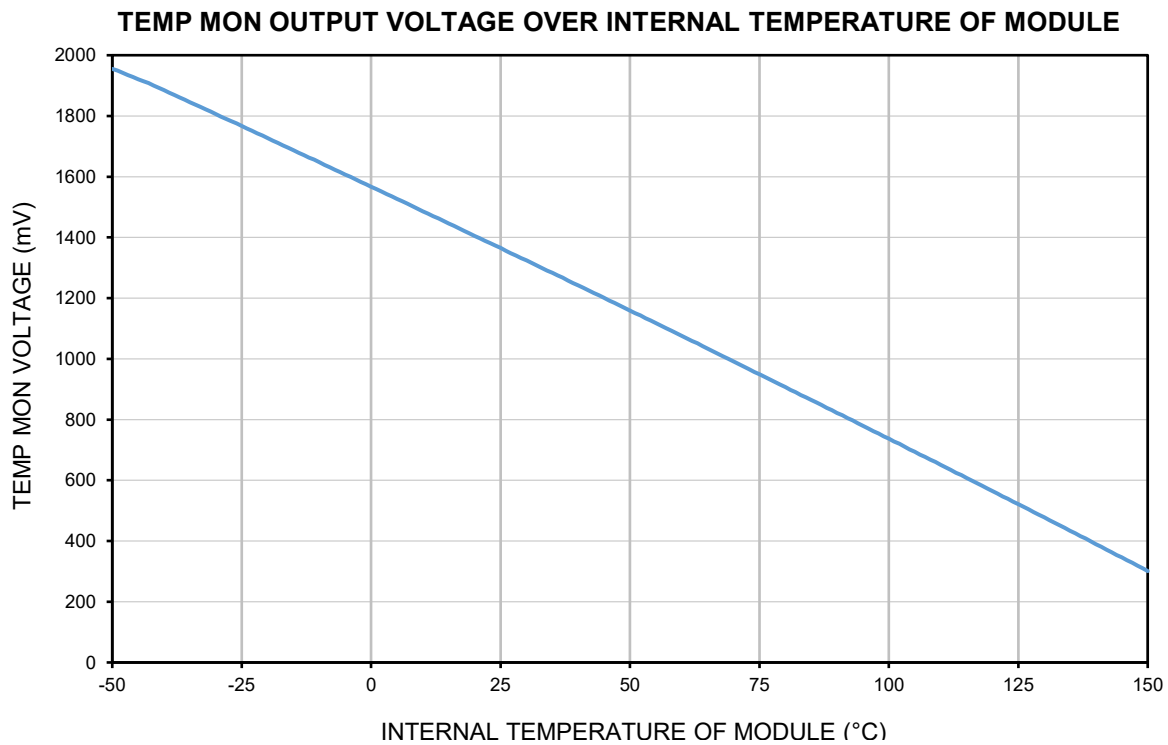
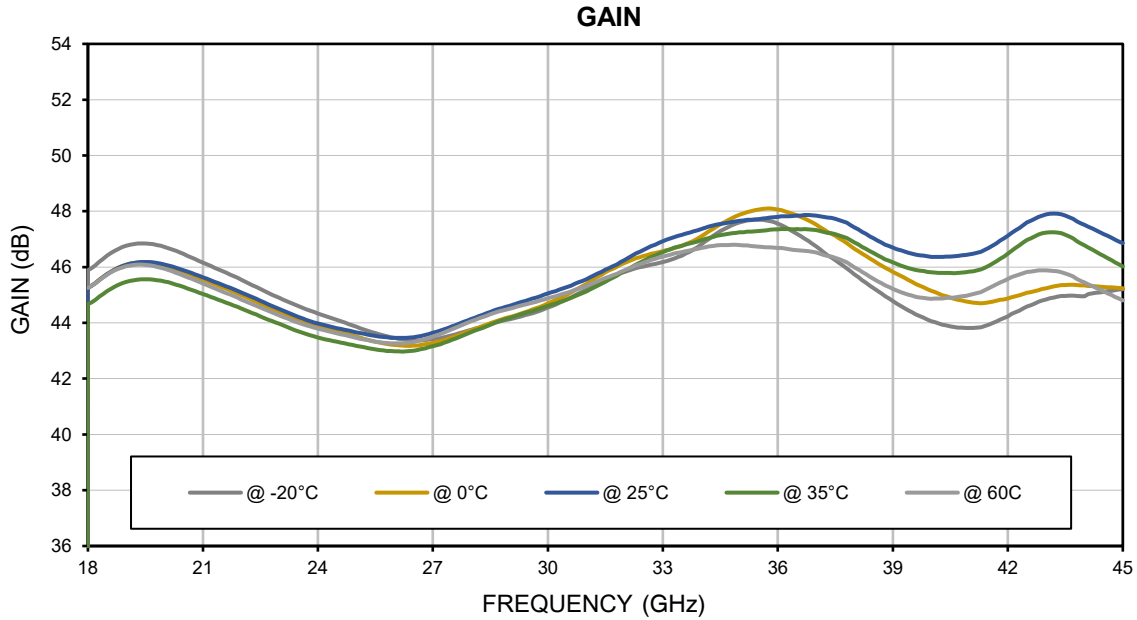
Temperature Compensated Amplifier

ZVA-18443TC+
ZVA-18443TCX+

Mini-Circuits

50Ω 18 to 43.5 GHz $P_{SAT} +31$ dBm 2.92 mm-Female

TYPICAL PERFORMANCE GRAPHS





COAXIAL

Temperature Compensated Amplifier

ZVA-18443TC+
ZVA-18443TCX+

50Ω 18 to 43.5 GHz P_{SAT} +31 dBm 2.92 mm-Female

ABSOLUTE MAXIMUM RATINGS³

Parameter	Ratings
Operating Temperature	ZVA-18443TC+ -20 °C to +50 °C Ambient
	ZVA-18443TCX+ -20 °C to +60 °C Baseplate
Storage Temperature	-40 °C to +85 °C
Total Power Dissipation	26 W
RF Input Power ⁴ (CW)	+5 dBm
DC Operating Voltage	+16 V
Control Lines, J1-1 through J1-8	+3.5 V

3. Continuous operation is not recommended at these extremes. Permanent damage may occur if any of these limits are exceeded.
 4. Specified under matched load to 50 ohms.

DETERMINING MAXIMUM THERMAL RESISTANCE OF USERS' EXTERNAL HEAT SINK

$\text{MAXIMUM THERMAL RESISTANCE} = \frac{\text{MAXIMUM OPERATING CASE TEMP} - \text{MAXIMUM USER AMBIENT TEMP}}{\text{POWER DISSIPATION}}$	
Example:	MAXIMUM OPERATING CASE TEMP = +60 °C (CHECK MAXIMUM RATINGS TABLE FOR THIS VALUE) MAXIMUM USER AMBIENT TEMP = +30 °C (USER DEFINED) POWER DISSIPATION = 26 WATTS (CHECK MAXIMUM RATINGS TABLE FOR THIS VALUE) THEN MAXIMUM ALLOWABLE THERMAL RESISTANCE = 2 °C/W





COAXIAL

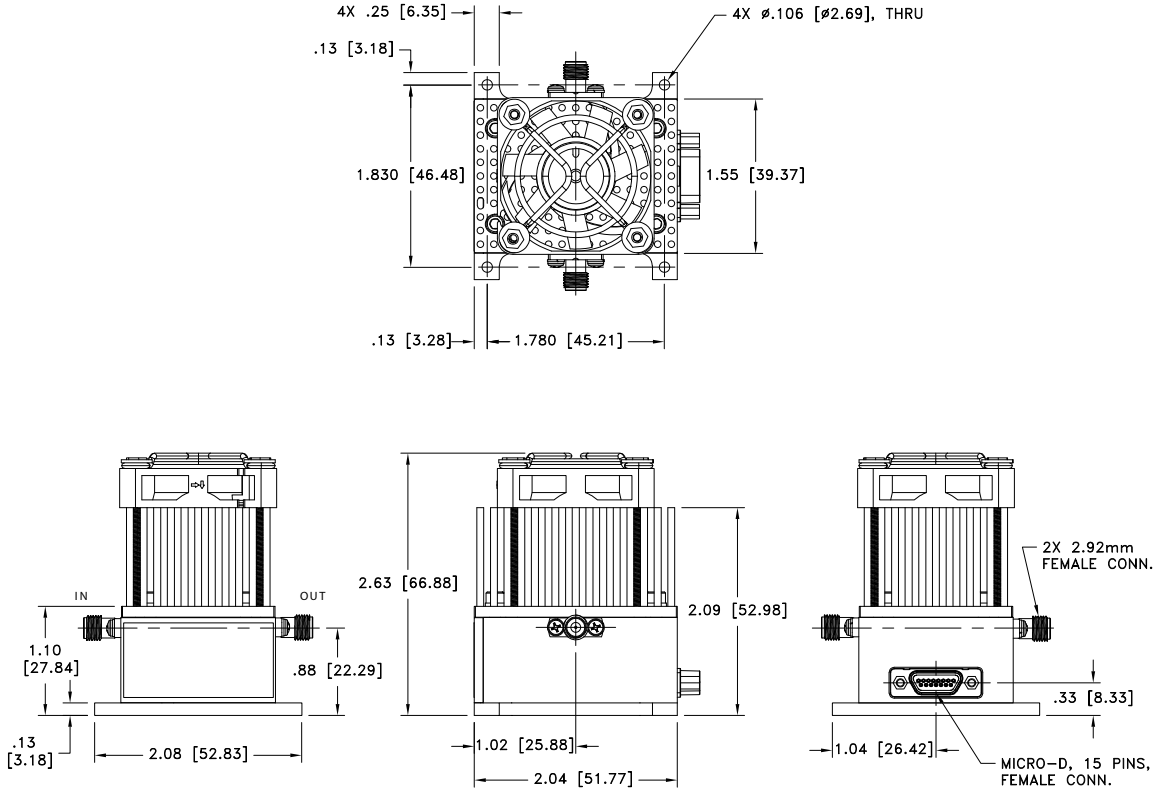
Temperature Compensated Amplifier

ZVA-18443TC+
ZVA-18443TCX+

Mini-Circuits

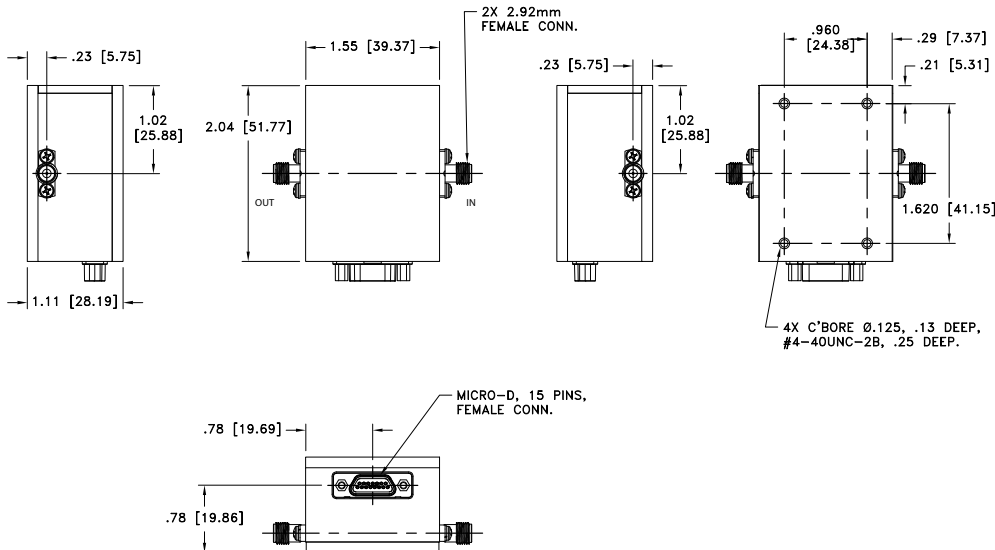
50Ω 18 to 43.5 GHz $P_{SAT} +31$ dBm 2.92 mm-Female

CASE STYLE DRAWING FOR MODELS WITH HEATSINK (ZVA-18443TC+)



Weight: 6.8 oz. (193 grams)
Dimensions are in inches [mm]. Tolerances: 2 Pl.±.03; 3 Pl.±.015 Inch

CASE STYLE DRAWING FOR MODELS WITHOUT HEATSINK (ZVA-18443TCX+)



Weight: 6.5 oz. (184 grams)
Dimensions are in inches [mm]. Tolerances: 2 Pl.±.03; 3 Pl.±.015 Inch

Mini-Circuits

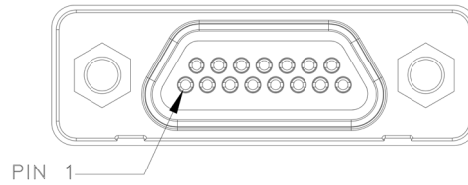


COAXIAL

Temperature Compensated Amplifier

ZVA-18443TC+
ZVA-18443TCX+

50Ω 18 to 43.5 GHz P_{SAT} +31 dBm 2.92 mm-Female



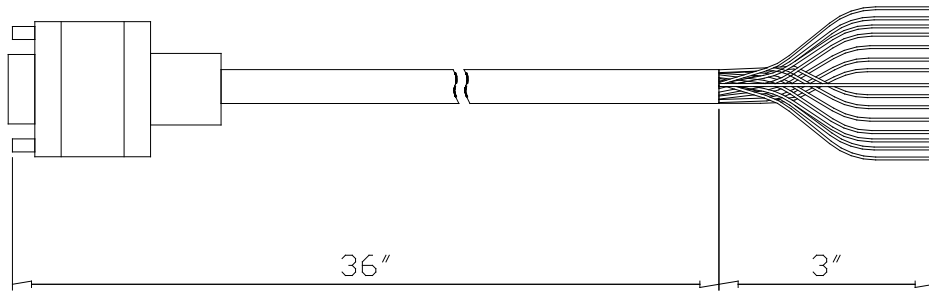
Function	Pin Number	Description
ALARM OUT	J1-1	Normally logic low (0V), +3.3V when fault is present
ENABLE IN5	J1-2	Logic low (0V) to unmute (enable), logic high to mute (disable)
TEMP MON	J1-3	Provides analog output voltage representing temperature of module
RXD	J1-4	Connect to TXD of TTL to USB serial converter
TXD	J1-5	Connect to RXD of TTL to USB serial converter
N/C	J1-6	NOT USED
N/C	J1-7	NOT USED
N/C	J1-8	NOT USED
+VS	J1-9	Positive Supply Voltage
+VS	J1-10	Positive Supply Voltage
+VS	J1-11	Positive Supply Voltage
N/C	J1-12	NOT USED
GND	J1-13	Ground
GND	J1-14	Ground
GND	J1-15	Ground

4. J1-2 can also be left floating to disable the amplifier.



INCLUDED ACCESSORIES

B20-9-0065-15 is a "Pigtail" connector included with every purchase of ZVA-18443TC(X)+. B20-9-0065-15 is a shielded cable with stripped wires (#28AWG) on one end and a connector on the other end designed to mate to the ZVA-18443TC(X)+. These bare wires enable the customer to assemble their own cable as required to interface with the ZVA-18443TC(X)+ (cable length is 3ft/ 0.9meters)..



B20-9-0065-15 WIRING INFORMATION

Function	Pin Number	Description	Wire Color
ALARM OUT	J1-1	Normally logic low (0V), +3.3V when fault is present	White
ENABLE IN	J1-2	Logic low (0V) to unmute (enable), logic high to mute (disable)	Black
TEMP MON	J1-3	Provides analog output voltage representing temperature of module	Red
RXD	J1-4	Connect to TXD of TTL to USB serial converter	Green
TXD	J1-5	Connect to RXD of TTL to USB serial converter	Orange
N/C	J1-6	NOT USED	Light Blue
N/C	J1-7	NOT USED	White/Black
N/C	J1-8	NOT USED	Red/Black
+VS	J1-9	Positive Supply Voltage	Green/Black
+VS	J1-10	Positive Supply Voltage	Orange/Black
+VS	J1-11	Positive Supply Voltage	Blue/Black
N/C	J1-12	NOT USED	Black/White
GND	J1-13	Ground	Red/White
GND	J1-14	Ground	Green/White
GND	Shield	Ground	Shield



COAXIAL

Temperature Compensated Amplifier

ZVA-18443TC+

ZVA-18443TCX+

50Ω 18 to 43.5 GHz P_{SAT} +31 dBm 2.92 mm-Female

GRAPHICAL USER INTERFACE (GUI) FOR WINDOWS – KEY FEATURES

- Connect via USB (see Figure 3)
- Mute and Unmute the amplifier
- Monitor internal temperature of the amplifier
- Monitor output power of the amplifier
- Monitor Alarm for any potential faults exhibited by the amplifier

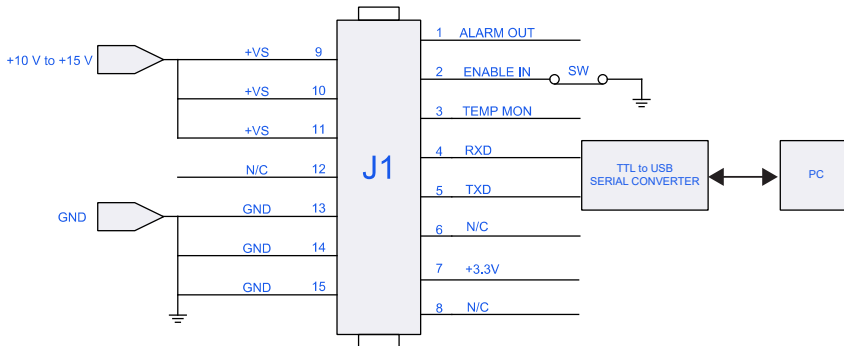
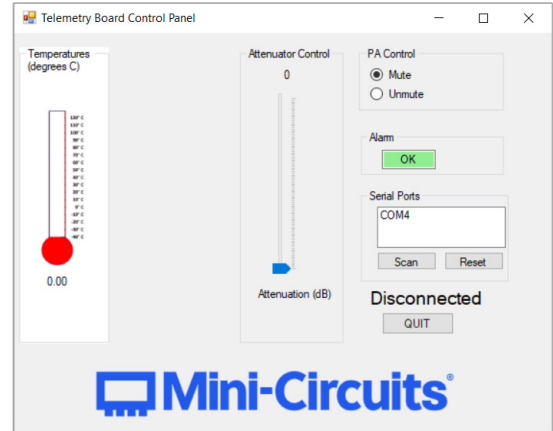


FIGURE 1

Suggest using TTL-232RG-VSW5V-WE from DigiKey for TTL to USB SERIAL CONVERTER





COAXIAL

Temperature Compensated Amplifier

ZVA-18443TC+
ZVA-18443TCX+

50Ω 18 to 43.5 GHz P_{SAT} +31 dBm 2.92 mm-Female

ADDITIONAL INFORMATION IS AVAILABLE ON OUR DASHBOARD.

Performance Data & Graphs	Data Graphs S-Parameter (S2P Files) Data Set (.zip file)
RoHS Status	Compliant
Environmental Ratings	ENV130
Export Information	ECCN # 3A001.B.4 This item will require an export license when shipped to certain countries.

ORDERING INFORMATION

Model No. Links	ZVA-18443TC+	ZVA-18443TCX+
Option	With heatsink	Without heatsink
Product Marking	ZVA-18443TC+	ZVA-18443TCX+
Case Style	YU3369	YU3369-1
Connector	2.92mm (Female)	



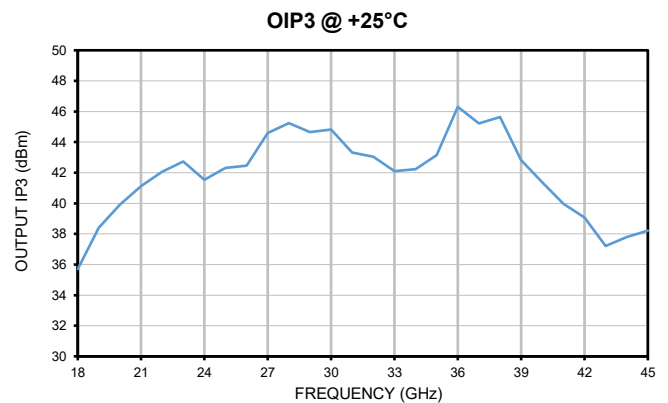
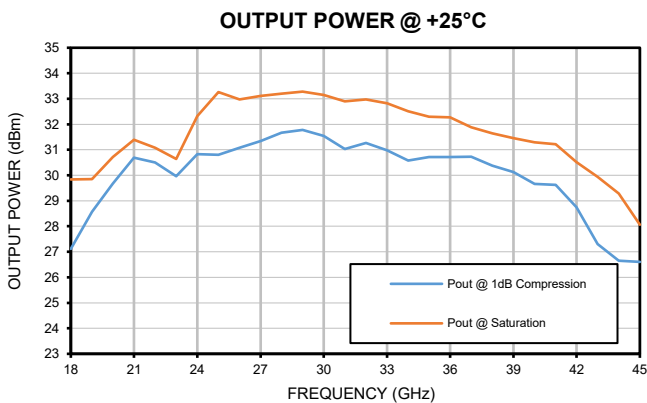
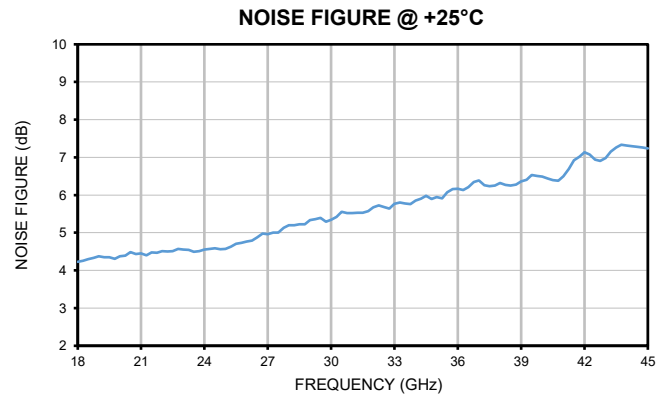
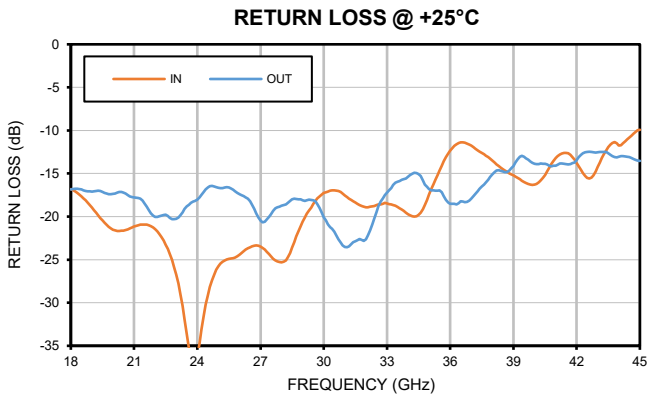
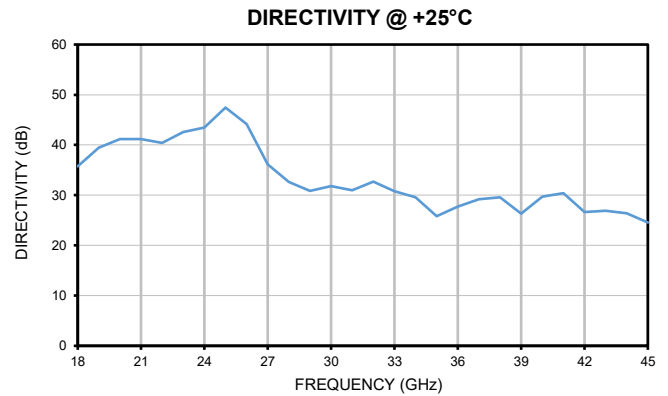
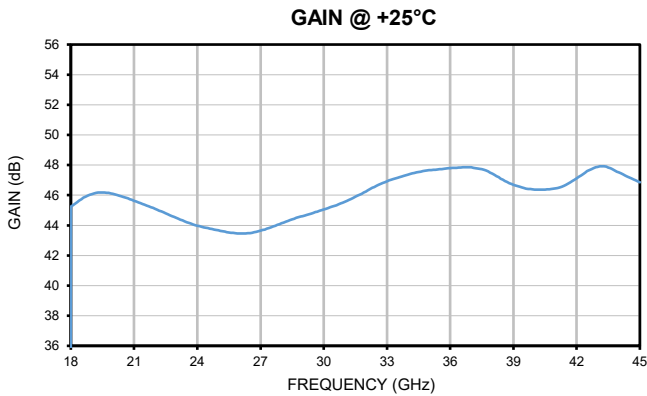
Typical Performance Data @ +25°C								
FREQUENCY (GHz)	GAIN (dB)	DIRECTIVITY (dB)	RETURN LOSS (dB)		Pout @ 1 dB COMPRESSION (dBm)	Pout at SATURATION (dBm)	Output IP3 (dBm)	Noise Figure (dB)
			IN	OUT				
18	45.88	35.78	18.54	16.97	27.12	29.84	35.70	4.23
19	46.76	39.45	20.45	17.04	28.57	29.85	38.40	4.38
20	46.72	41.19	20.73	17.46	29.68	30.71	39.92	4.37
21	46.16	41.19	19.71	17.70	30.68	31.39	41.12	4.45
22	45.61	40.38	19.73	19.88	30.51	31.08	42.06	4.51
23	44.95	42.57	22.28	20.21	29.96	30.64	42.74	4.55
24	44.39	43.45	24.21	18.20	30.82	32.32	41.53	4.56
25	43.91	47.45	23.53	16.59	30.81	33.27	42.32	4.57
26	43.48	44.18	26.37	17.15	31.08	32.98	42.47	4.77
27	43.40	36.12	32.04	19.81	31.34	33.11	44.59	4.96
28	43.71	32.62	28.06	18.75	31.67	33.20	45.25	5.20
29	44.10	30.83	18.62	17.94	31.78	33.28	44.66	5.34
30	44.49	31.83	14.91	19.31	31.55	33.15	44.83	5.34
31	45.13	30.96	14.28	23.34	31.03	32.90	43.32	5.52
32	45.78	32.72	13.98	22.90	31.27	32.97	43.05	5.67
33	46.15	30.78	13.33	17.65	30.98	32.82	42.10	5.77
34	46.71	29.58	13.87	15.72	30.57	32.51	42.23	5.86
35	47.56	25.79	14.68	16.31	30.72	32.30	43.15	5.95
36	47.61	27.73	13.12	18.07	30.71	32.27	46.31	6.16
37	46.83	29.22	13.97	18.25	30.73	31.88	45.22	6.39
38	45.84	29.58	17.71	15.53	30.38	31.65	45.63	6.32
39	44.87	26.33	23.01	14.35	30.12	31.45	42.82	6.36
40	44.12	29.69	20.85	13.73	29.66	31.29	41.36	6.49
41	43.81	30.42	17.15	14.04	29.62	31.22	39.97	6.50
42	44.17	26.67	15.50	13.70	28.74	30.52	39.07	7.14
43	44.80	26.88	16.08	12.51	27.30	29.94	37.21	6.98
44	44.95	26.41	12.26	13.35	26.65	29.28	37.79	7.32
45	45.19	24.56	9.92	13.48	26.60	28.06	38.22	7.24

Typical Gain over Temperature					
FREQUENCY (GHz)	GAIN				
	-20°C	0°C	+25°C	+35°C	+60°C
18	45.88	45.26	45.25	44.67	45.25
19	46.76	46.08	46.08	45.47	46.03
20	46.72	46.06	46.09	45.48	45.94
21	46.16	45.55	45.63	45.03	45.41
22	45.61	45.06	45.15	44.57	44.90
23	44.95	44.46	44.56	44.01	44.32
24	44.39	43.94	44.02	43.51	43.83
25	43.91	43.55	43.69	43.21	43.50
26	43.48	43.22	43.47	42.99	43.27
27	43.40	43.25	43.60	43.12	43.46
28	43.71	43.68	44.08	43.61	44.00
29	44.10	44.17	44.57	44.13	44.47
30	44.49	44.63	45.00	44.56	44.84
31	45.13	45.32	45.51	45.07	45.27
32	45.78	46.08	46.18	45.78	45.83
33	46.15	46.54	46.87	46.48	46.34
34	46.71	47.01	47.32	46.92	46.65
35	47.56	47.82	47.64	47.23	46.80
36	47.61	48.09	47.79	47.35	46.70
37	46.83	47.60	47.86	47.34	46.54
38	45.84	46.76	47.50	46.96	46.08
39	44.87	45.90	46.75	46.23	45.29
40	44.12	45.20	46.38	45.82	44.88
41	43.81	44.77	46.43	45.81	44.96
42	44.17	44.84	47.03	46.38	45.51
43	44.80	45.21	47.85	47.21	45.88
44	44.95	45.34	47.56	46.84	45.50
45	45.19	45.25	46.92	46.09	44.87

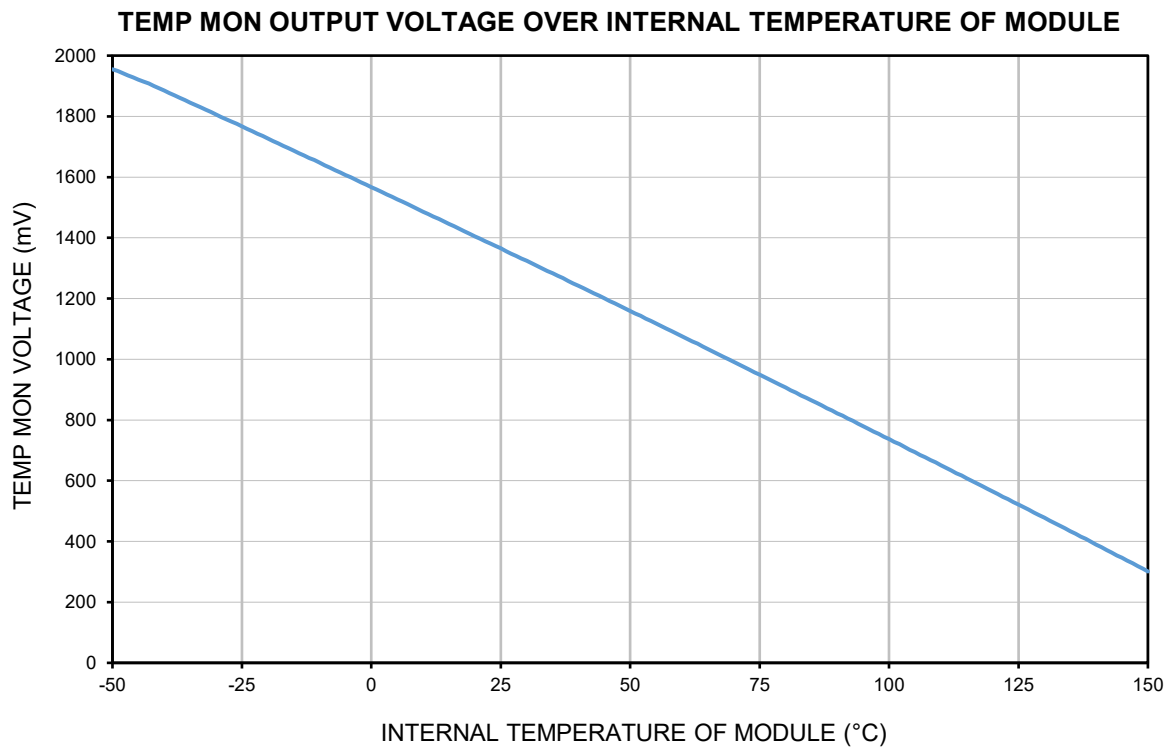
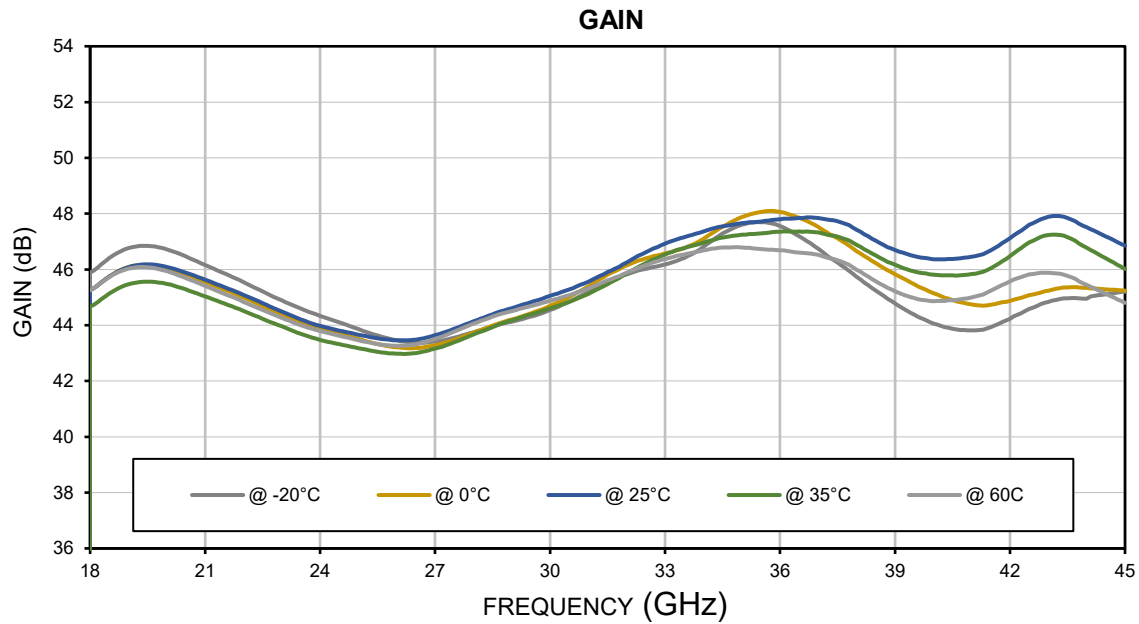
Coaxial Amplifier

ZVA-18443TC(X)+

Typical Performance Curves



Typical Performance Curves

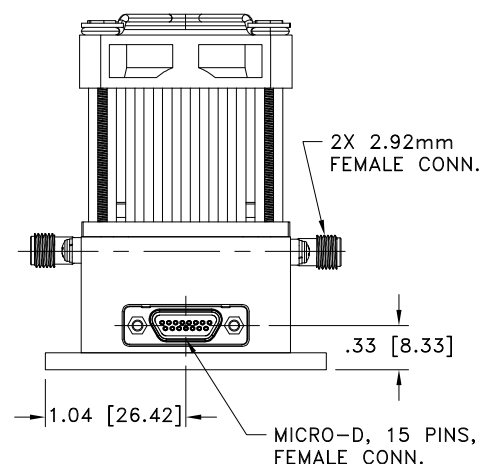
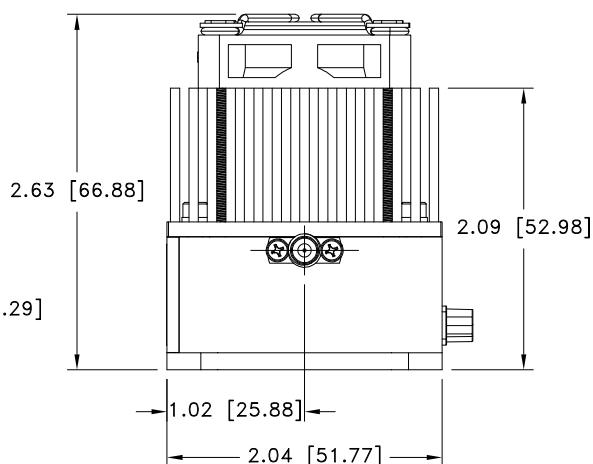
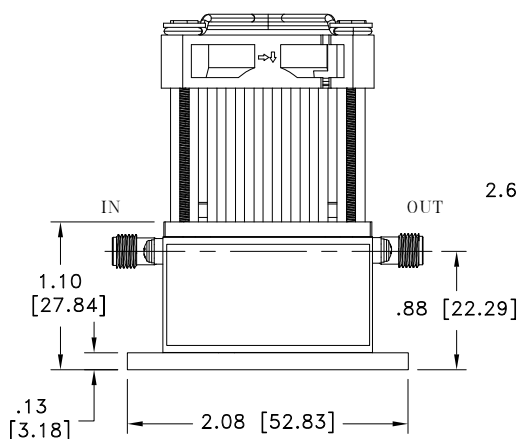
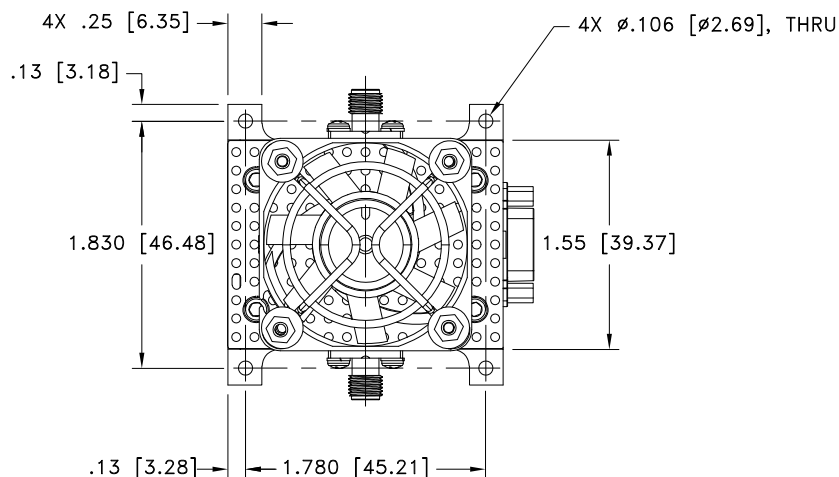


Case Style

YU

Outline Dimensions

YU3369



Weight: 6.8oz. (193 grams)

Dimensions are in inches [mm]. Tolerances: 2 Pl.±.03; 3 Pl. ±.015 Inch

Notes:

Case material: Aluminum.
Case Finish: Gold plated.
Heatsink: Black anodized.

Mini-Circuits®
ISO 9001 ISO 14001 CERTIFIED

ALL NEW
minicircuits.com

P.O. Box 350166, Brooklyn, New York 11235-0003 (718) 934-4500 Fax (718) 332-4661 For detailed performance specs & shopping online see Mini-Circuits web site



The Design Engineers Search Engine Provides ACTUAL Data Instantly From MINI-CIRCUITS At: www.minicircuits.com

RF/IF MICROWAVE COMPONENTS

All Mini-Circuits products are manufactured under exacting quality assurance and control standards, and are capable of meeting published specifications after being subjected to any or all of the following physical and environmental test.

Specification	Test/Inspection Condition	Reference/Spec
Operating Temperature	-40° to +60° C Baseplate Temp	Individual Model Data Sheet
Storage Temperature	-40° to +85° C Ambient Environment	Individual Model Data Sheet
Burn-in	(DC on) 72 hours at 25°C	----
Thermal Shock	-40° C to +85°C, 100 cycles	Transition time = 5 mins, Dwell time = 30 mins
Vibration	Random Vibration (non-operating)	MIL-STD-883K, Method 2025, Cond. 1A