



## COAXIAL

# Medium High Power Amplifier **ZHL-3A+**

50Ω 0.4 to 150 MHz

### FEATURES

- Medium-High Power, +29.5 dBm min.
- High IP3, +38 dBm typ.

### APPLICATIONS

- HF/VHF
- Instrumentation
- Communication Systems



Generic photo used for illustration purposes only

Model No.	ZHL-3A+	ZHL-3A-S+
Case Style	S32	
Connectors	BNC	SMA

#### +RoHS Compliant

The +Suffix identifies RoHS Compliance. See our website for methodologies and qualifications

### ELECTRICAL SPECIFICATIONS

Parameter	Frequency (MHz)	Min.	Typ.	Max.	Units
Frequency Range		0.4		150	MHz
Gain	0.4 - 150	24			dB
Gain Flatness	0.4 - 150			±1.0	dB
Output Power at 1 dB compression	0.4 - 150	+29.5			dBm
Output third order intercept point	0.4 - 150		+38		dBm
Noise Figure	0.4 - 150		11.0		dB
Input VSWR	0.4 - 150			2.0	:1
Output VSWR	0.4 - 150			2.0	:1
DC Supply Voltage			+24		V
Supply Current				0.6	A

Open load is not recommended, potentially can cause damage.  
With no load derate max input power by 20 dB

### ABSOLUTE MAXIMUM RATINGS

Parameter	Ratings
Operating Temperature	-20°C to +65°C
Storage Temperature	-55°C to +100°C
DC Voltage	+25V Max.
RF Input Power (no damage)	+20 dBm

Permanent damage may occur if any of these limits are exceeded.

REV. H  
ECO-017949  
ZHL-3A+  
MCL NY  
230524



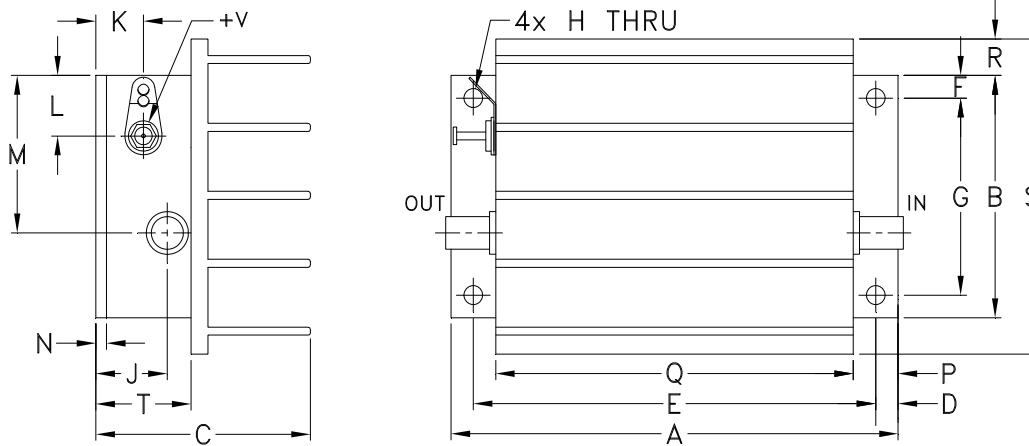


COAXIAL

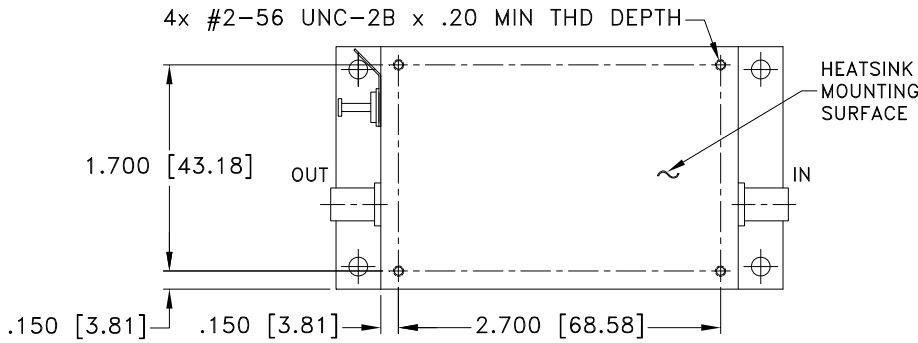
# Medium High Power Amplifier **ZHL-3A+**

50Ω 0.4 to 150 MHz

## OUTLINE DRAWING



## MOUNTING INFORMATION FOR MODELS WITHOUT HEATSINK



## OUTLINE DIMENSIONS (Inch/mm)

A	B	C	D	E	F	G	H	J	K	L	M	N	P	Q	R	S	T	wt	
3.75	2.00	1.80	.19	3.375	.19	1.625	.144	.50	.40	.50	1.30	.10	.38	3.00	.30	2.60	.80	grams	
95.25	50.80	45.72	4.83	85.73	4.83	41.28	3.66	12.70	10.16	12.70	33.02	2.54	9.65	76.20	7.62	66.04	20.32	220.0	
																		wt. w/o heat sink	150



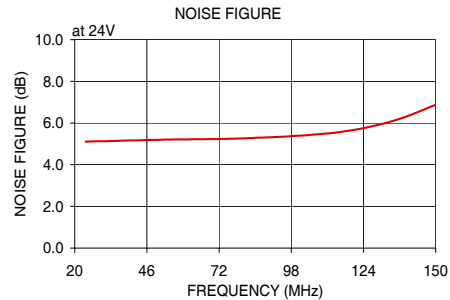
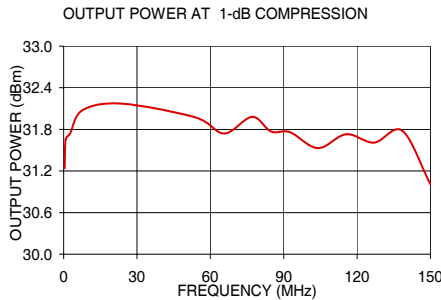
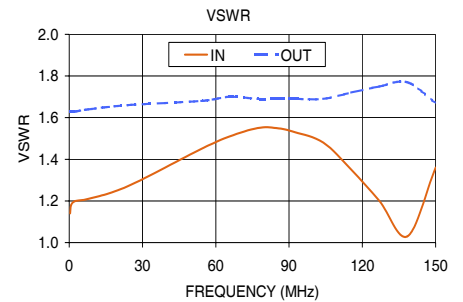
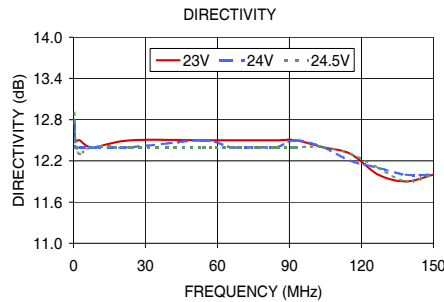
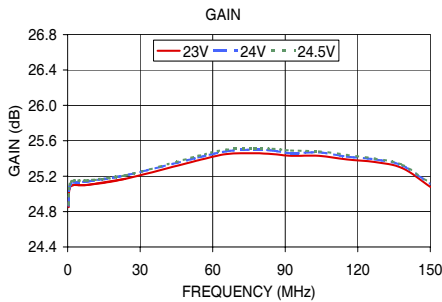
COAXIAL

# Medium High Power Amplifier ZHL-3A+

50Ω 0.4 to 150 MHz

## TYPICAL PERFORMANCE DATA/CURVES

FREQUENCY (MHz)	GAIN (dB)			DIRECTIVITY (dB)			VSWR (:1)		NOISE FIGURE (dB)	POUT at 1 dB COMPR. (dBm)
	23V	24V	24.5V	23V	24V	24.5V	IN	OUT	24V	24V
0.40	24.85	24.87	24.88	12.80	12.80	12.90	1.14	1.63	—	31.24
0.80	25.06	25.08	25.10	12.50	12.40	12.50	1.18	1.63	—	31.65
2.60	25.10	25.13	25.15	12.50	12.40	12.30	1.20	1.63	—	31.74
7.80	25.10	25.14	25.15	12.40	12.40	12.40	1.21	1.64	—	32.08
23.90	25.17	25.21	25.21	12.50	12.40	12.40	1.27	1.66	5.11	32.17
54.10	25.38	25.41	25.43	12.50	12.50	12.40	1.45	1.68	5.21	31.97
65.60	25.45	25.48	25.50	12.50	12.40	12.40	1.51	1.70	5.22	31.74
77.10	25.46	25.50	25.51	12.50	12.40	12.40	1.55	1.69	5.25	31.98
84.80	25.45	25.49	25.51	12.50	12.40	12.40	1.55	1.69	5.29	31.77
92.50	25.43	25.46	25.49	12.50	12.50	12.40	1.53	1.69	5.33	31.76
104.00	25.43	25.47	25.48	12.40	12.40	12.40	1.48	1.69	5.42	31.53
115.50	25.39	25.42	25.44	12.30	12.20	12.30	1.35	1.72	5.57	31.73
127.00	25.36	25.39	25.40	12.00	12.10	12.10	1.20	1.75	5.84	31.61
138.50	25.29	25.32	25.33	11.90	12.00	11.90	1.03	1.77	6.27	31.78
150.00	25.08	25.11	25.12	12.00	12.00	12.00	1.36	1.67	6.88	31.01



### NOTES

- A. Performance and quality attributes and conditions not expressly stated in this specification document are intended to be excluded and do not form a part of this specification document.
- B. Electrical specifications and performance data contained in this specification document are based on Mini-Circuit's applicable established test performance criteria and measurement instructions.
- C. The parts covered by this specification document are subject to Mini-Circuits standard limited warranty and terms and conditions (collectively, "Standard Terms"); Purchasers of this part are entitled to the rights and benefits contained therein. For a full statement of the standard terms and the exclusive rights and remedies thereunder, please visit Mini-Circuits' website at [www.minicircuits.com/terms/viewterm.html](http://www.minicircuits.com/terms/viewterm.html)



# Amplifier

# ZHL-3A+

## Typical Performance Data

FREQUENCY (MHz)	GAIN (dB)			DIRECTIVITY (dB)			VSWR IN (:1)	VSWR OUT (:1)	NOISE FIGURE (dB)	Pout at 1dB Comp. (dBm)
	23V	24V	24.5V	23V	24V	24.5V	24V	24V		
0.40	24.85	24.87	24.88	12.80	12.80	12.90	1.14	1.63		31.24
0.80	25.06	25.08	25.10	12.50	12.40	12.50	1.18	1.63		31.65
2.60	25.10	25.13	25.15	12.50	12.40	12.30	1.20	1.63		31.74
7.80	25.10	25.14	25.15	12.40	12.40	12.40	1.21	1.64		32.08
23.90	25.17	25.21	25.21	12.50	12.40	12.40	1.27	1.66	5.11	32.17
54.10	25.38	25.41	25.43	12.50	12.50	12.40	1.45	1.68	5.21	31.97
65.60	25.45	25.48	25.50	12.50	12.40	12.40	1.51	1.70	5.22	31.74
77.10	25.46	25.50	25.51	12.50	12.40	12.40	1.55	1.69	5.25	31.98
84.80	25.45	25.49	25.51	12.50	12.40	12.40	1.55	1.69	5.29	31.77
92.50	25.43	25.46	25.49	12.50	12.50	12.40	1.53	1.69	5.33	31.76
104.00	25.43	25.47	25.48	12.40	12.40	12.40	1.48	1.69	5.42	31.53
115.50	25.39	25.42	25.44	12.30	12.20	12.30	1.35	1.72	5.57	31.73
127.00	25.36	25.39	25.40	12.00	12.10	12.10	1.20	1.75	5.84	31.61
138.50	25.29	25.32	25.33	11.90	12.00	11.90	1.03	1.77	6.27	31.78
150.00	25.08	25.11	25.12	12.00	12.00	12.00	1.36	1.67	6.88	31.01

REV. X1  
ZHL-3A+  
110410  
Page 1 of 1



IF/RF MICROWAVE COMPONENTS • ISO 9001 ISO 14001 AS 9100 CERTIFIED RoHS compliant

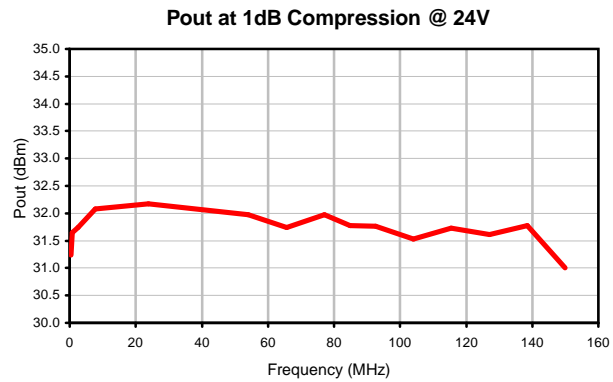
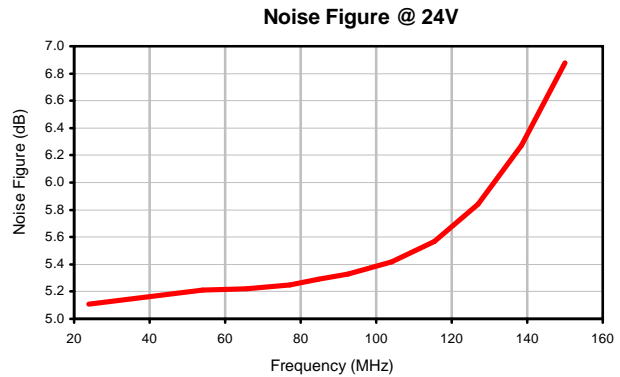
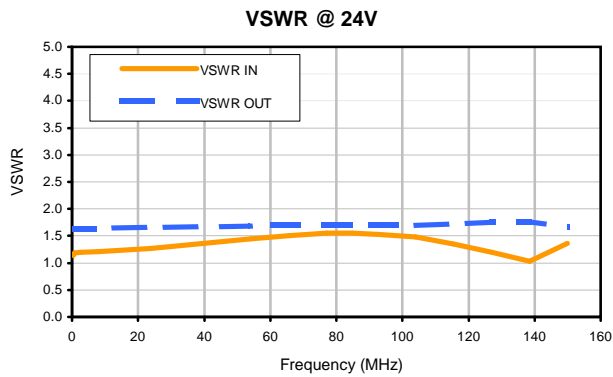
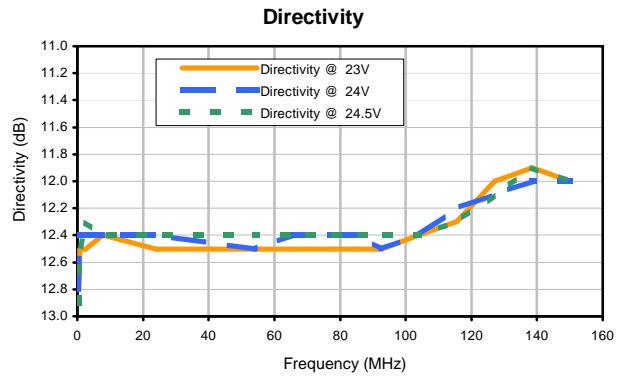
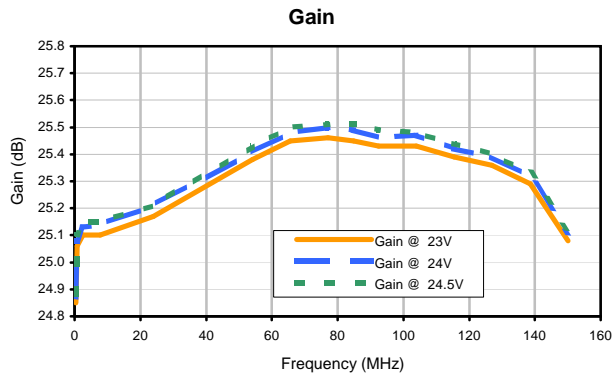
P.O. Box 350166, Brooklyn, New York 11235-0003 (718) 934-4500 Fax (718) 332-4661



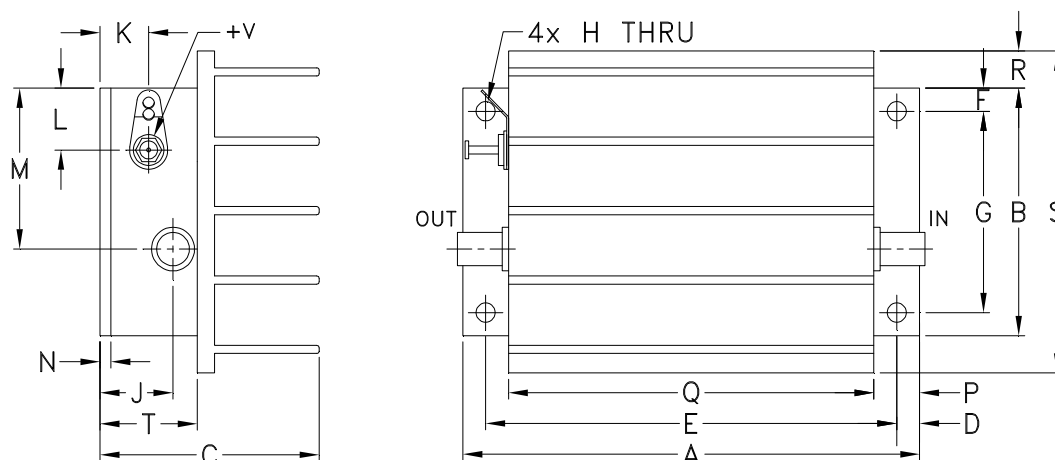
The Design Engineers Search Engine finds the model you need, Instantly • For detailed performance specs & shopping online see



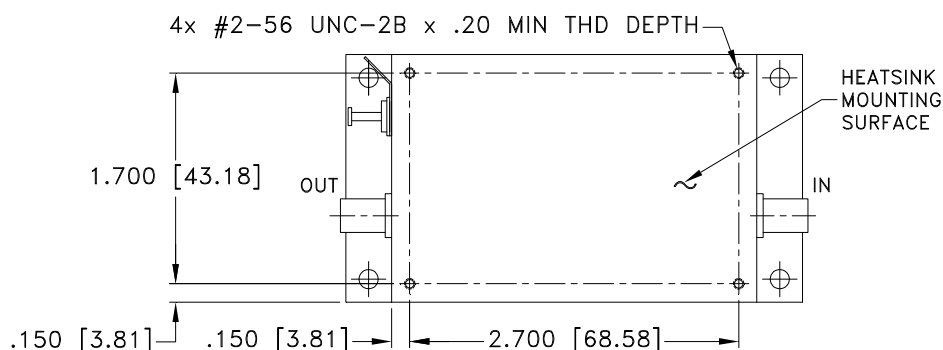
## Typical Performance Curves



### Outline Dimensions



#### MOUNTING INFORMATION FOR MODELS WITHOUT HEATSINK



CASE#	A	B	C	D	E	F	G	H	J	K	L	M	N
S32	3.75 (95.25)	2.00 (50.80)	1.80 (45.72)	.19 (4.83)	3.375 (85.73)	.19 (4.83)	1.625 (41.28)	.144 (3.66)	.50 (12.70)	.40 (10.16)	.50 (12.70)	1.30 (33.02)	.10 (2.54)

CASE#	P	Q	R	S	T	WT. GRAMS	WT. WITHOUT HEATSINK GRAMS
S32	.38 (9.65)	3.00 (76.20)	.30 (7.62)	2.60 (66.04)	.80 (20.32)	220.0	150.0

Dimensions are in inches (mm). Tolerances: 2 Pl.  $\pm .03$ ; 3 Pl.  $\pm .015$

#### Notes:

- Case material: Aluminum alloy.
- Case finish:  
For RoHS Case Styles: Clear chemical conversion coating, non-chrome or trivalent chrome based.
- Heat sink finish: Black anodize.



P.O. Box 350166, Brooklyn, New York 11235-0003 (718) 934-4500 Fax (718) 332-4661 For detailed performance specs & shopping online see Mini-Circuits web site



The Design Engineers Search Engine Provides ACTUAL Data Instantly From MINI-CIRCUITS At: [www.minicircuits.com](http://www.minicircuits.com)

RF/IF MICROWAVE COMPONENTS

All Mini-Circuits products are manufactured under exacting quality assurance and control standards, and are capable of meeting published specifications after being subjected to any or all of the following physical and environmental test.

Specification	Test/Inspection Condition	Reference/Spec
Operating Temperature	-20° to 65° C Ambient Environment	Individual Model Data Sheet
Storage Temperature	-55° to 100° C Ambient Environment	Individual Model Data Sheet
Stabilization Bake	(non-operating) 125°C, 24 hours	- - -
Burn-in at Elevated Temp.	(DC on) 160 hours at 85° C	MIL-STD-202, Method 108
Thermal Shock	-55° to 100°C, 5 cycles	MIL-STD-202, Method 107, Condition A, except 100°C