



COAXIAL

Medium High Power Amplifier **ZHL-32A+**

50Ω 0.05 to 130 MHz

FEATURES

- Medium High Power, +29 dBm min.
- High IP3, +38 dBm typ.



Generic photo used for illustration purposes only

APPLICATIONS

- HF/VHF
- Instrumentation
- Communication Systems
- Laboratory

Model No.	ZHL-32A+	ZHL-32A-S+
Case Style	S32	
Connectors	BNC	SMA

+RoHS Compliant
 The +Suffix identifies RoHS Compliance.
 See our website for methodologies and qualifications

ELECTRICAL SPECIFICATIONS

Parameter	Frequency (MHz)	Min.	Typ.	Max.	Units
Frequency Range		0.05		130	MHz
Gain	0.05 - 130	25			dB
Gain Flatness	0.05 - 130			±1.0	dB
Output Power at 1dB compression	0.05 - 130	+29			dBm
Output third order intercept point	0.05 - 130		+38		dBm
Noise Figure	0.05 - 130		10		dB
Input VSWR	0.05 - 130		2.0		:1
Output VSWR	0.05 - 130		2.0		:1
DC Supply Voltage			+24		V
Supply Current				0.6	A

Open load is not recommended, potentially can cause damage.
 With no load derate max input power by 20 dB

ABSOLUTE MAXIMUM RATINGS

Parameter	Ratings
Operating Temperature	-20°C to +65°C
Storage Temperature	-55°C to +100°C
DC Voltage	+25V Max.
RF Input Power (no damage)	+10 dBm

Permanent damage may occur if any of these limits are exceeded.



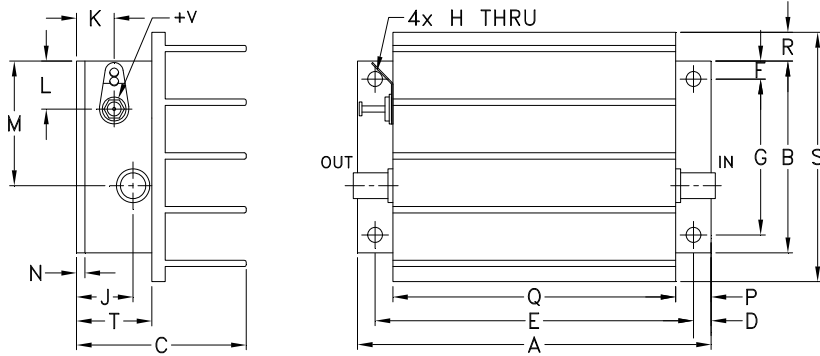


COAXIAL

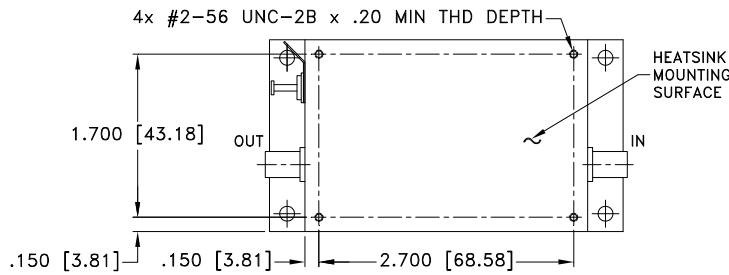
Medium High Power Amplifier ZHL-32A+

50Ω 0.05 to 130 MHz

OUTLINE DRAWING



MOUNTING INFORMATION FOR MODELS WITHOUT HEATSINK



OUTLINE DIMENSIONS (Inch/mm)

A	B	C	D	E	F	G	H	J	K	L	M	N	P	Q	R	S	T	wt	
3.75	2.00	1.80	.19	3.375	.19	1.625	.144	.50	.40	.50	1.30	.10	.38	3.00	.30	2.60	.80	grams	
95.25	50.80	45.72	4.83	85.73	4.83	41.28	3.66	12.70	10.16	12.70	33.02	2.54	9.65	76.20	7.62	66.04	20.32	220.0	
																		wt. w/o heat sink	150



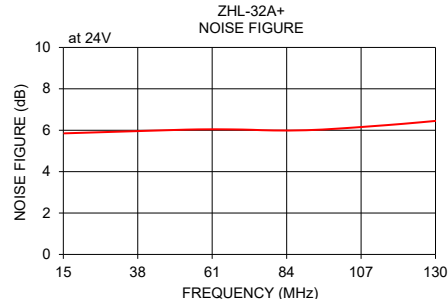
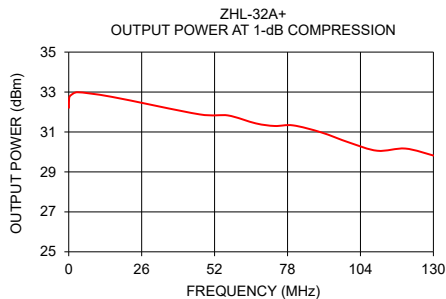
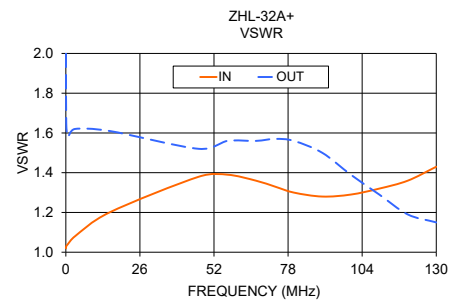
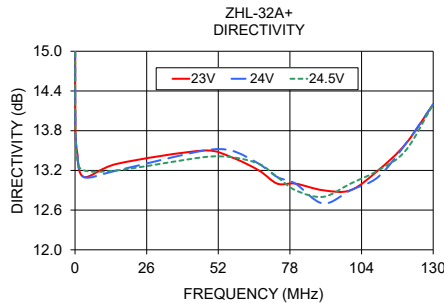
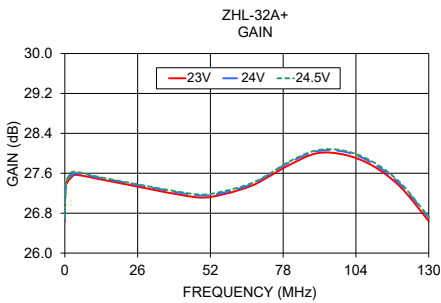
COAXIAL

Medium High Power Amplifier ZHL-32A+

50Ω 0.05 to 130 MHz

TYPICAL PERFORMANCE DATA/CURVES

FREQUENCY (MHz)	GAIN (dB)			DIRECTIVITY (dB)			VSWR (:1)		NOISE FIGURE (dB)	POUT at 1 dB COMPR. (dBm)
	23V	24V	24.5V	23V	24V	24.5V	IN	OUT	24V	24V
0.05	26.65	26.67	26.69	15.10	15.10	15.10	1.02	2.00	-	32.21
0.14	27.27	27.30	27.31	13.80	13.80	13.80	1.03	1.65	-	32.68
0.68	27.41	27.44	27.45	13.50	13.50	13.40	1.04	1.58	-	32.83
3.20	27.57	27.60	27.63	13.10	13.10	13.20	1.08	1.62	-	32.99
15.30	27.45	27.48	27.49	13.30	13.20	13.20	1.20	1.61	5.85	32.76
46.70	27.12	27.16	27.18	13.50	13.50	13.40	1.38	1.52	6.00	31.88
56.70	27.18	27.21	27.24	13.40	13.50	13.40	1.39	1.56	6.04	31.83
66.70	27.35	27.38	27.40	13.20	13.30	13.30	1.36	1.56	6.04	31.43
73.40	27.55	27.59	27.60	13.00	13.10	13.10	1.33	1.57	6.02	31.30
80.00	27.76	27.81	27.83	13.00	13.00	12.90	1.30	1.56	5.99	31.33
90.00	28.00	28.04	28.06	12.90	12.70	12.80	1.28	1.50	6.00	30.98
100.00	27.97	28.03	28.05	12.90	12.90	13.00	1.29	1.39	6.08	30.47
110.00	27.75	27.80	27.83	13.20	13.10	13.20	1.32	1.29	6.19	30.06
120.00	27.32	27.37	27.40	13.60	13.60	13.50	1.36	1.19	6.31	30.17
130.00	26.64	26.71	26.72	14.20	14.20	14.20	1.43	1.15	6.45	29.82



NOTES

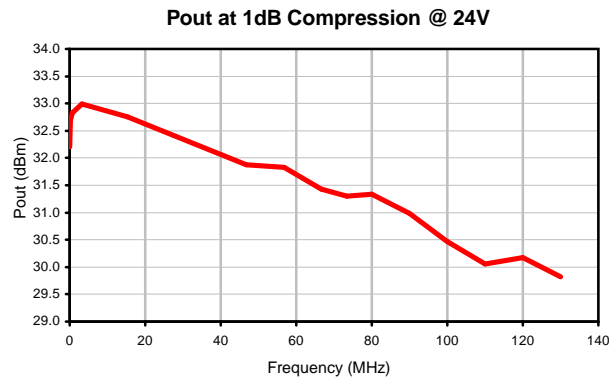
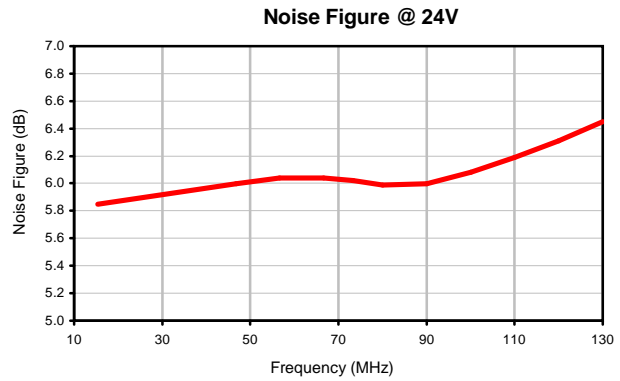
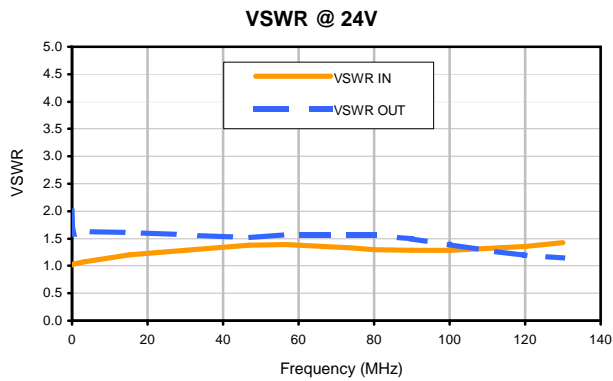
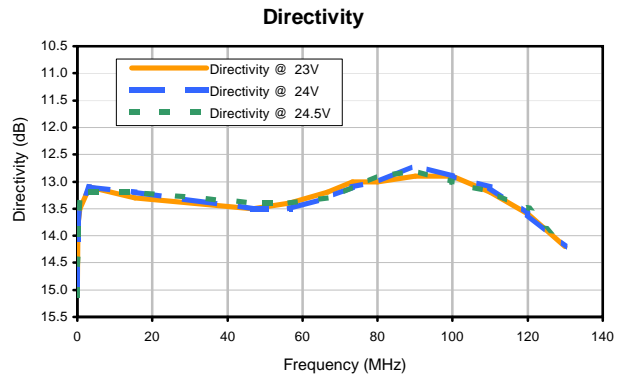
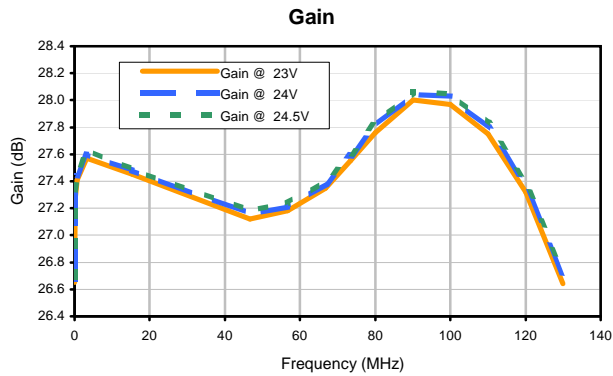
- A. Performance and quality attributes and conditions not expressly stated in this specification document are intended to be excluded and do not form a part of this specification document.
- B. Electrical specifications and performance data contained in this specification document are based on Mini-Circuit's applicable established test performance criteria and measurement instructions.
- C. The parts covered by this specification document are subject to Mini-Circuits standard limited warranty and terms and conditions (collectively, "Standard Terms"); Purchasers of this part are entitled to the rights and benefits contained therein. For a full statement of the standard terms and the exclusive rights and remedies thereunder, please visit Mini-Circuits' website at www.minicircuits.com/terms/viewterm.html



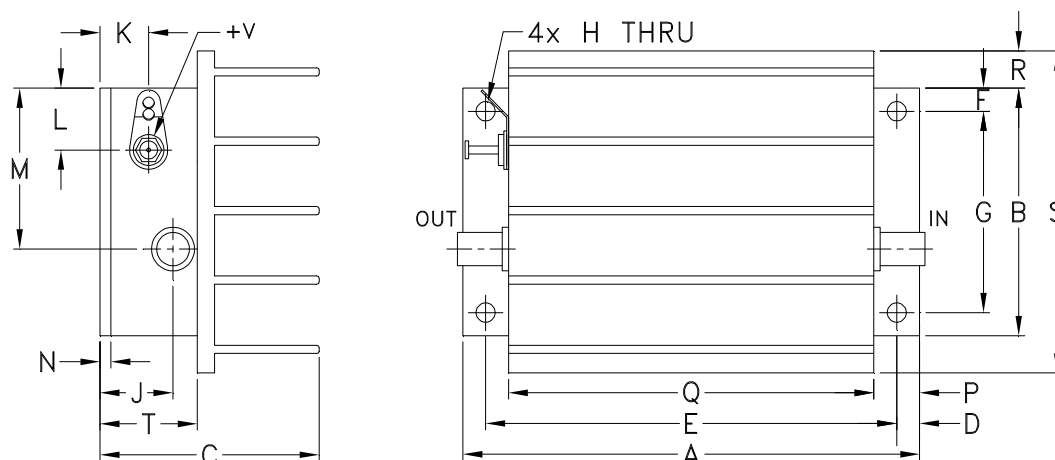
Typical Performance Data

FREQUENCY (MHz)	GAIN (dB)			DIRECTIVITY (dB)			VSWR IN (:1) 24V	VSWR OUT (:1) 24V	NOISE FIGURE (dB) 24V	Pout at 1dB Comp. (dBm) 24V
	23V	24V	24.5V	23V	24V	24.5V				
0.05	26.65	26.67	26.69	15.10	15.10	15.10	1.02	2.00		32.21
0.14	27.27	27.30	27.31	13.80	13.80	13.80	1.03	1.65		32.68
0.68	27.41	27.44	27.45	13.50	13.50	13.40	1.04	1.58		32.83
3.21	27.57	27.60	27.63	13.10	13.10	13.20	1.08	1.62		32.99
15.32	27.45	27.48	27.49	13.30	13.20	13.20	1.20	1.61	5.85	32.76
46.70	27.12	27.16	27.18	13.50	13.50	13.40	1.38	1.52	6.00	31.88
56.70	27.18	27.21	27.24	13.40	13.50	13.40	1.39	1.56	6.04	31.83
66.69	27.35	27.38	27.40	13.20	13.30	13.30	1.36	1.56	6.04	31.43
73.36	27.55	27.59	27.60	13.00	13.10	13.10	1.33	1.57	6.02	31.30
80.02	27.76	27.81	27.83	13.00	13.00	12.90	1.30	1.56	5.99	31.33
90.02	28.00	28.04	28.06	12.90	12.70	12.80	1.28	1.50	6.00	30.98
100.01	27.97	28.03	28.05	12.90	12.90	13.00	1.29	1.39	6.08	30.47
110.01	27.75	27.80	27.83	13.20	13.10	13.20	1.32	1.29	6.19	30.06
120.00	27.32	27.37	27.40	13.60	13.60	13.50	1.36	1.19	6.31	30.17
130.00	26.64	26.71	26.72	14.20	14.20	14.20	1.43	1.15	6.45	29.82

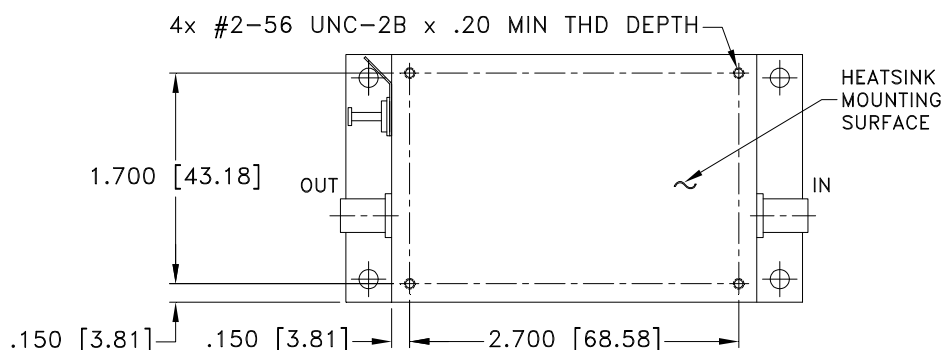
Typical Performance Curves



Outline Dimensions



MOUNTING INFORMATION FOR MODELS WITHOUT HEATSINK



CASE#	A	B	C	D	E	F	G	H	J	K	L	M	N
S32	3.75 (95.25)	2.00 (50.80)	1.80 (45.72)	.19 (4.83)	3.375 (85.73)	.19 (4.83)	1.625 (41.28)	.144 (3.66)	.50 (12.70)	.40 (10.16)	.50 (12.70)	1.30 (33.02)	.10 (2.54)

CASE#	P	Q	R	S	T	WT. GRAMS	WT. WITHOUT HEATSINK GRAMS
S32	.38 (9.65)	3.00 (76.20)	.30 (7.62)	2.60 (66.04)	.80 (20.32)	220.0	150.0

Dimensions are in inches (mm). Tolerances: 2 Pl. $\pm .03$; 3 Pl. $\pm .015$

Notes:

- Case material: Aluminum alloy.
- Case finish:
For RoHS Case Styles: Clear chemical conversion coating, non-chrome or trivalent chrome based.
- Heat sink finish: Black anodize.



P.O. Box 350166, Brooklyn, New York 11235-0003 (718) 934-4500 Fax (718) 332-4661 For detailed performance specs & shopping online see Mini-Circuits web site



The Design Engineers Search Engine Provides ACTUAL Data Instantly From MINI-CIRCUITS At: www.minicircuits.com

RF/IF MICROWAVE COMPONENTS



All Mini-Circuits products are manufactured under exacting quality assurance and control standards, and are capable of meeting published specifications after being subjected to any or all of the following physical and environmental test.

Specification	Test/Inspection Condition	Reference/Spec
Operating Temperature	-20° to 65° C Ambient Environment	Individual Model Data Sheet
Storage Temperature	-55° to 100° C Ambient Environment	Individual Model Data Sheet
Stabilization Bake	(non-operating) 125°C, 24 hours	- - -
Burn-in at Elevated Temp.	(DC on) 160 hours at 85° C	MIL-STD-202, Method 108
Thermal Shock	-55° to 100°C, 5 cycles	MIL-STD-202, Method 107, Condition A, except 100°C