

6dB DC Pass

High Power Bi-Directional Coupler ZGBDC6-372HP+

50Ω Up to 250W 380 to 3700 MHz

The Big Deal

- High Power Handling: 250W
- Low Insertion Loss: 0.29 dB typ.*



CASE STYLE: HT1760-1

Product Overview

The Mini-Circuits ZGBDC6-372HP+ broadband high power directional coupler offers excellent performance across a wide range of popular frequency bands. Built using low loss suspended substrate construction, the ZGBDC6-372HP+ can pass up to 3A of DC current from input to output and handle up to 250W CW. The rugged sealed construction makes this coupler ideal for use in field applications or remote monitoring sites; however, it is also ideal for high power lab testing.

Key Features

Feature	Advantages
Excellent Insertion Loss , 0.29 dB Typ*	With extremely low insertion loss, this coupler is ideal for critical high power applications.
Ultra High Return Loss, 24 dB Typ	Outstanding Return loss makes this coupler ideal for sensitive power measurement and other signal distribution applications.
High Power Handling, 250W	Up to 250W CW power handling, combined with low insertion loss and excellent VSWR support operation in high power applications such as transmitters, base stations and high power device characterization.
Wide bandwidth	Covering 380-3700 MHz, the ZGBDC6-372HP+ covers the most popular Cellular, PCS, DCS, WiMAX, and LTE bands.
Excellent Directivity and Coupling Flatness	Typical 20 dB directivity and ± 0.8 dB of Coupling flatness provides accurate signal sampling of forward or reflected power.
Passes DC Current, 3A	Capable of passing 3A current, input to output; this coupler is suited for application using remote antenna control or other remote motorized requirements.

*Does not include coupling loss

Notes

- A. Performance and quality attributes and conditions not expressly stated in this specification document are intended to be excluded and do not form a part of this specification document.
B. Electrical specifications and performance data contained in this specification document are based on Mini-Circuit's applicable established test performance criteria and measurement instructions.
C. The parts covered by this specification document are subject to Mini-Circuits standard limited warranty and terms and conditions (collectively, "Standard Terms"); Purchasers of this part are entitled to the rights and benefits contained therein. For a full statement of the Standard Terms and the exclusive rights and remedies thereunder, please visit Mini-Circuits' website at www.minicircuits.com/MCLStore/terms.jsp



6dB DC Pass High Power Bi-Directional Coupler

ZGBDC6-372HP+

50Ω Up to 250W 380 to 3700 MHz

Maximum Ratings

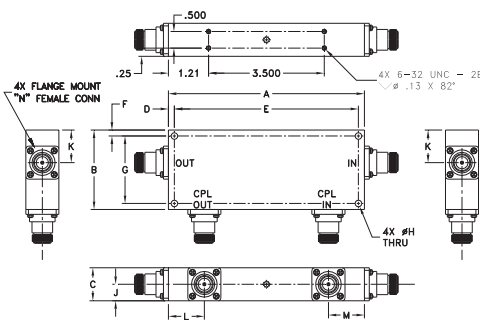
Operating Temperature	-55°C to 100°C
Storage Temperature	-55°C to 100°C
DC Current	3A

Permanent damage may occur if any of these limits are exceeded

Coaxial Connections

INPUT	IN
OUTPUT	OUT
COUPLED FORWARD	CPL IN
COUPLED REVERSE	CPL OUT

Outline Drawing



Outline Dimensions (inch/mm)

A	B	C	D	E	F	G
5.93	2.4	1.00	0.18	5.565	0.18	2.040
150.62	60.96	25.40	4.57	141.35	4.57	51.82
H	J	K	L	M	wt	
0.200	0.50	0.99	1.09	1.09	grams	
5.08	12.70	25.15	27.69	27.69	700	

Features

- wide frequency range, 380 - 3700 MHz
- good coupling flatness, ± 0.3 dB typ. (600-3700 MHz)
- high directivity, 20 dB typ.
- very good return loss, 24 dB typ.
- high power, up to 250W
- DC current pass through input to output

Applications

- cellular
- lab use
- WiMAX
- PCN
- GSM
- ISM



CASE STYLE: HT1760-1

Connectors	Model
N-Type	ZGBDC6-372HP+

+RoHS Compliant

The +Suffix identifies RoHS Compliance. See our web site for RoHS Compliance methodologies and qualifications

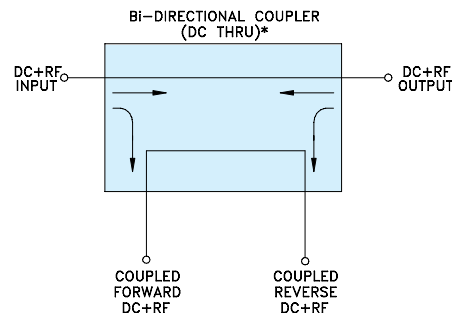
Electrical Specifications at 25°C

Parameter	Frequency (MHz)	Min.	Typ.	Max.	Units
Operating Frequency		380		3700	MHz
Coupling	380-600	—	7.3 \pm 1.5	—	
	600-2700	—	6.3 \pm 0.9	—	dB
	2700-3700	—	6.4 \pm 0.9	—	
Coupling Flatness	380-600	—	± 0.8	± 1.25	dB
	600-2700	—	± 0.3	± 0.75	
Mainline Loss ¹	380-600	—	0.06	0.20	dB
	600-2700	—	0.16	0.50	
Directivity	380-600	—	0.29	0.60	
	600-2700	20	34	—	dB
	2700-3700	18	31	—	
Return Loss	380-600	—	14	23	dB
	600-2700	—	24	—	
	2700-3700	—	—	—	
Input Power ²	380-600	—	—	250	W
	600-2700	—	—	250	
	2700-3700	—	—	150	

1. Does not include coupling loss.

2. At 25°C with no DC current. Derate linearly to 100W (380-2700 MHz) and to 64W (2700-3600 MHz) from 25°C to 100°C. Output load VSWR 2.0:1 max.

Electrical Schematic



* ELECTRICAL SCHEMATIC IS FOR BI-DIRECTIONAL COUPLER WITHOUT INTERNAL TRANSFORMERS AND RESISTORS.

Notes

- Performance and quality attributes and conditions not expressly stated in this specification document are intended to be excluded and do not form a part of this specification document.
- Electrical specifications and performance data contained in this specification document are based on Mini-Circuit's applicable established test performance criteria and measurement instructions.
- The parts covered by this specification document are subject to Mini-Circuits standard limited warranty and terms and conditions (collectively, "Standard Terms"); Purchasers of this part are entitled to the rights and benefits contained therein. For a full statement of the Standard Terms and the exclusive rights and remedies thereunder, please visit Mini-Circuits' website at www.minicircuits.com/MCLStore/terms.jsp

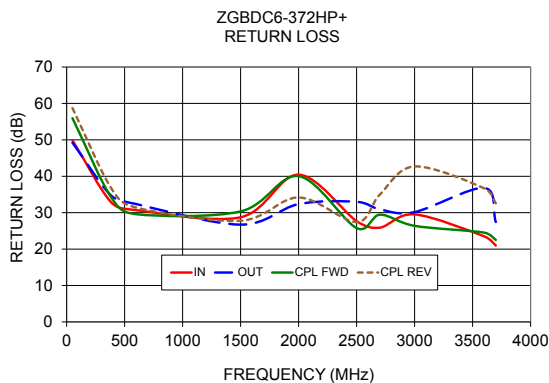
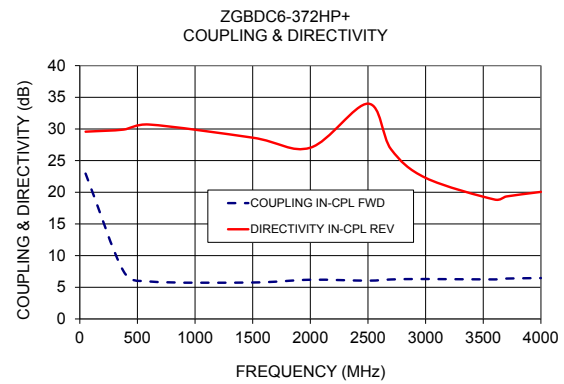
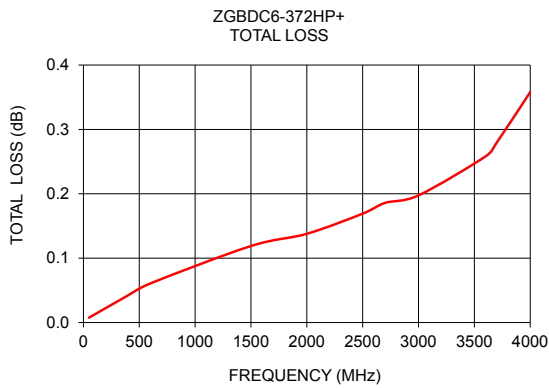


www.minicircuits.com P.O. Box 350166, Brooklyn, NY 11235-0003 (718) 934-4500 sales@minicircuits.com

REV. OR
M171098
ZGBDC6-372HP+
WL/RS/CP
181119
Page 2 of 3

Typical Performance Data

Frequency (MHz)	Mainline Loss (dB) In-Out	Coupling (dB)		Directivity (dB)		Return Loss (dB)			
		In-Cpl Fwd	Out-Cpl Rev	Out-Cpl Fwd	In-Cpl Rev	In	Out	Cpl Fwd	Cpl Rev
50	0.01	23.0	23.0	30.0	29.6	49.9	49.2	56.0	58.7
380	0.04	7.5	7.5	28.9	29.9	33.0	34.8	34.4	36.9
600	0.06	5.9	6.0	30.2	30.7	30.7	32.4	29.6	31.4
1500	0.12	5.8	5.9	31.5	28.6	28.7	26.7	30.3	27.8
2000	0.14	6.2	6.4	30.2	27.0	40.4	32.4	40.0	34.2
2500	0.17	6.0	6.3	30.2	34.0	27.7	33.0	25.8	27.4
2700	0.19	6.2	6.5	25.2	26.8	25.9	30.9	29.4	35.0
3000	0.20	6.3	6.6	25.7	22.3	29.5	30.2	26.4	42.7
3600	0.26	6.2	6.5	19.0	18.8	23.5	36.8	24.5	36.7
3700	0.28	6.4	6.6	19.0	19.3	21.0	27.4	22.5	32.6
4000	0.36	6.5	6.6	20.7	20.1	17.8	21.3	18.6	23.7



Notes

- A. Performance and quality attributes and conditions not expressly stated in this specification document are intended to be excluded and do not form a part of this specification document.
- B. Electrical specifications and performance data contained in this specification document are based on Mini-Circuit's applicable established test performance criteria and measurement instructions.
- C. The parts covered by this specification document are subject to Mini-Circuits standard limited warranty and terms and conditions (collectively, "Standard Terms"); Purchasers of this part are entitled to the rights and benefits contained therein. For a full statement of the Standard Terms and the exclusive rights and remedies thereunder, please visit Mini-Circuits' website at www.minicircuits.com/MCLStore/terms.jsp



Bi-Directional Coupler

ZGBDC6-372HP+

Typical Performance Data

FREQ. (MHz)	INSERTION LOSS ⁽¹⁾		COUPLING		DIRECTIVITY		RETURN LOSS			
	(dB)		(dB)		(dB)		(dB)			
	IN-OUT	FWD-REV	IN-FWD	OUT-REV	IN-REV	OUT-FWD	IN	OUT	FWD	REV
50	0.01	0.01	22.96	22.99	29.57	29.97	49.90	49.22	55.96	58.72
100	0.01	0.02	17.08	17.10	30.03	29.64	44.38	44.42	54.34	54.68
200	0.02	0.03	11.57	11.59	29.79	29.07	37.85	38.56	46.00	48.02
300	0.04	0.04	8.82	8.84	29.73	28.91	34.85	36.43	37.92	40.31
380	0.04	0.05	7.51	7.54	29.90	28.87	32.99	34.81	34.42	36.94
400	0.04	0.05	7.27	7.29	30.00	28.89	32.46	34.37	33.80	36.30
500	0.05	0.07	6.38	6.42	30.08	29.30	31.15	33.63	30.74	32.90
600	0.06	0.08	5.92	5.96	30.70	30.25	30.70	32.37	29.59	31.40
700	0.07	0.09	5.73	5.79	31.67	31.72	31.35	32.96	29.83	31.43
800	0.07	0.10	5.73	5.80	31.99	32.73	33.02	34.98	31.45	33.29
900	0.08	0.11	5.82	5.92	30.84	31.45	36.74	40.91	34.13	36.41
1000	0.08	0.12	5.91	6.04	28.46	28.84	38.15	36.02	33.77	33.77
1100	0.09	0.14	5.96	6.10	26.42	26.86	33.25	31.18	30.40	30.26
1200	0.10	0.15	5.94	6.09	25.19	25.99	29.73	29.39	28.09	29.01
1300	0.11	0.16	5.87	6.02	25.05	26.39	27.96	28.36	27.40	28.89
1400	0.12	0.17	5.79	5.95	26.08	28.08	27.69	27.10	28.24	28.26
1500	0.12	0.18	5.76	5.93	28.62	31.54	28.74	26.72	30.35	27.79
1600	0.12	0.18	5.79	5.98	33.85	39.37	30.94	28.38	33.55	29.38
1700	0.12	0.18	5.90	6.09	60.89	44.24	34.42	33.22	37.10	34.41
1800	0.13	0.19	6.03	6.23	34.32	34.08	38.32	35.55	40.92	38.26
1900	0.13	0.20	6.14	6.36	29.04	30.80	40.30	32.05	50.81	34.13
2000	0.14	0.21	6.19	6.42	27.04	30.17	40.44	32.35	40.03	34.17
2100	0.14	0.21	6.18	6.40	26.66	31.72	39.59	35.82	32.35	34.07
2200	0.15	0.22	6.12	6.34	27.52	36.43	36.62	36.57	28.36	29.92
2300	0.16	0.23	6.05	6.27	29.24	45.71	32.94	33.41	26.29	27.14
2400	0.16	0.24	6.02	6.24	32.06	35.83	29.89	32.57	25.51	26.39
2500	0.17	0.25	6.05	6.28	33.99	30.23	27.67	32.98	25.77	27.43
2600	0.18	0.25	6.13	6.37	30.87	27.03	26.30	32.84	27.10	30.40
2700	0.19	0.26	6.24	6.49	26.79	25.22	25.88	30.91	29.45	34.96
2800	0.19	0.26	6.31	6.59	23.97	24.39	26.62	29.05	31.58	38.52
2900	0.19	0.27	6.34	6.63	22.50	24.50	28.48	28.73	29.76	43.07
3000	0.20	0.28	6.31	6.58	22.27	25.67	29.53	30.16	26.38	42.70
3100	0.21	0.29	6.23	6.49	23.01	27.43	27.29	31.97	23.96	33.04
3200	0.22	0.30	6.15	6.39	23.71	27.38	24.79	31.04	22.62	29.16
3300	0.23	0.31	6.10	6.34	22.96	24.63	23.52	30.65	22.29	28.19
3400	0.24	0.32	6.10	6.33	21.08	21.86	23.54	32.99	22.90	29.18
3500	0.25	0.33	6.14	6.39	19.54	19.91	24.17	39.25	24.17	31.57
3600	0.26	0.33	6.24	6.49	18.85	19.01	23.49	36.79	24.52	36.68
3700	0.28	0.33	6.38	6.60	19.34	19.03	20.97	27.44	22.51	32.56
3800	0.31	0.36	6.48	6.69	20.91	20.08	18.73	22.47	20.07	25.49
3900	0.34	0.38	6.52	6.71	21.92	20.97	17.61	20.52	18.75	23.08
4000	0.36	0.39	6.46	6.64	20.06	20.66	17.84	21.26	18.58	23.74

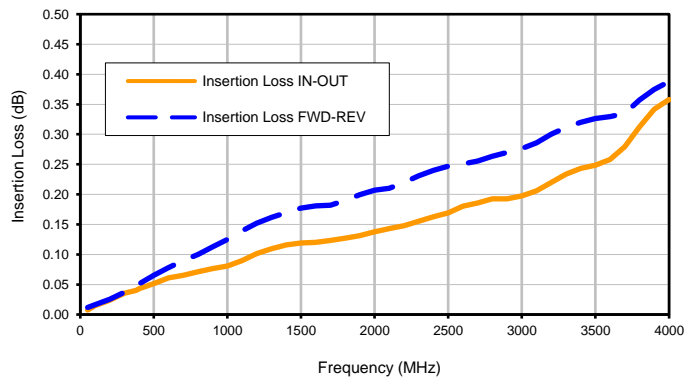
⁽¹⁾ Does not include coupling loss

Bi-Directional Coupler

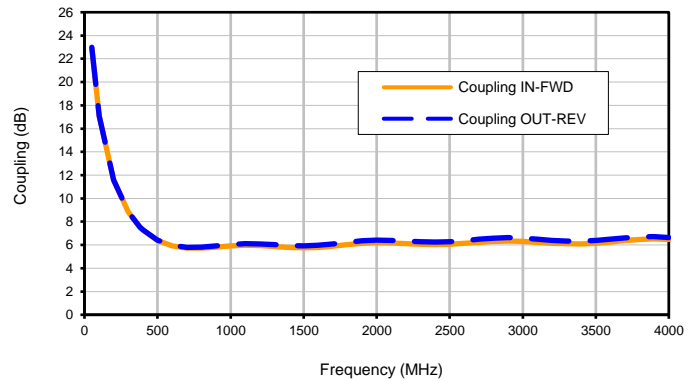
Typical Performance Curves

ZGBDC6-372HP+

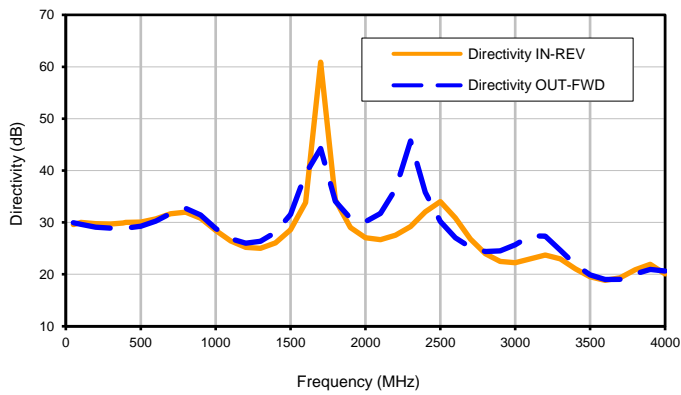
Insertion Loss



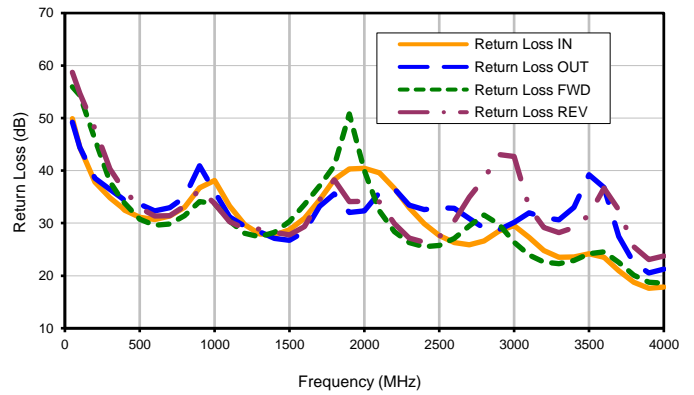
Coupling



Directivity



Return Loss

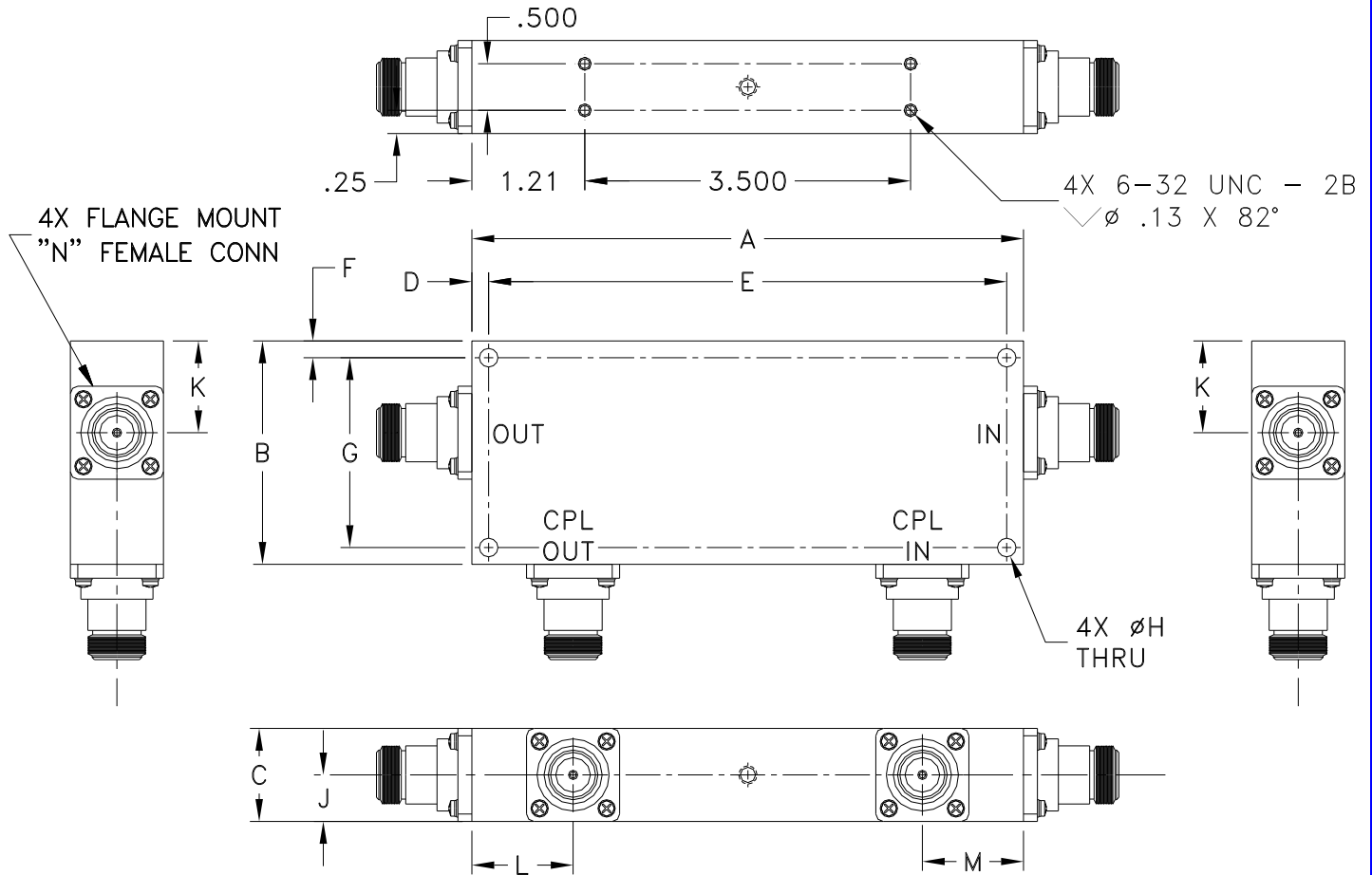


Case Style

HT

Outline Dimensions

HT1760-1



CASE #	A	B	C	D	E	F	G	H	J	K
HT1760-1	5.93 (150.62)	2.40 (60.96)	1.00 (25.40)	.18 (4.57)	5.565 (141.35)	.18 (4.57)	2.040 (51.82)	.200 (5.08)	.50 (12.70)	.99 (25.15)

CASE #	L	M	WT. GRAM
HT1760-1	1.09 (27.69)	1.09 (27.69)	700.0

Dimensions are in inches (mm). Tolerances: 2Pl. $\pm .03$; 3Pl. $\pm .015$

Notes:

1. Case material: Aluminum alloy.
2. Case finish:

For RoHS Case Styles: Clear Chemical conversion coating, non-chrome or trivalent chrome based.

Mini-Circuits®
ISO 9001 ISO 14001 CERTIFIED

ALL NEW
minicircuits.com

P.O. Box 350166, Brooklyn, New York 11235-0003 (718) 934-4500 Fax (718) 332-4661 For detailed performance specs & shopping online see Mini-Circuits web site



The Design Engineers Search Engine Provides ACTUAL Data Instantly From MINI-CIRCUITS At: www.minicircuits.com

RF/IF MICROWAVE COMPONENTS

All Mini-Circuits products are manufactured under exacting quality assurance and control standards, and are capable of meeting published specifications after being subjected to any or all of the following physical and environmental test.

Specification	Test/Inspection Condition	Reference/Spec
Operating Temperature	-55° to 100° C Ambient Environment	Individual Model Data Sheet
Storage Temperature	-55° to 100° C Ambient Environment	Individual Model Data Sheet
Liquid Ingress	Immersion in 1 meter water, 1/2 hour	IP67, IEC60529
Thermal Shock	-55° to 100°C, 100 cycles	MIL-STD-202, Method 107, Condition A-3, except +100°C
Vibration (High Frequency)	20g peak, 10-2000 Hz, 12 times in each of three perpendicular directions (total 36)	MIL-STD-202, Method 204, Condition D
Mechanical Shock	100g, 6ms sawtooth, 3 shocks each direction 3 axes (total 18)	MIL-STD-202, Method 213, Condition I