

2 Way-0° Power Splitter/Combiner

ZFSC-2-4+

Typical Performance Data

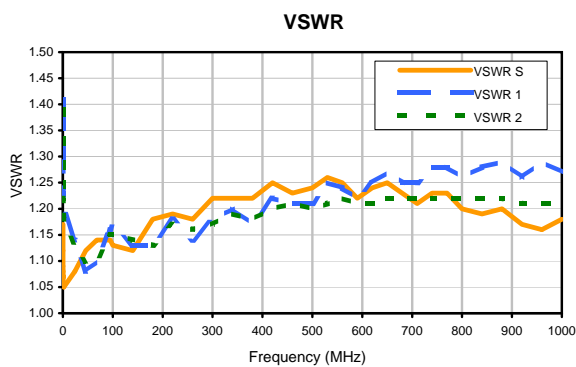
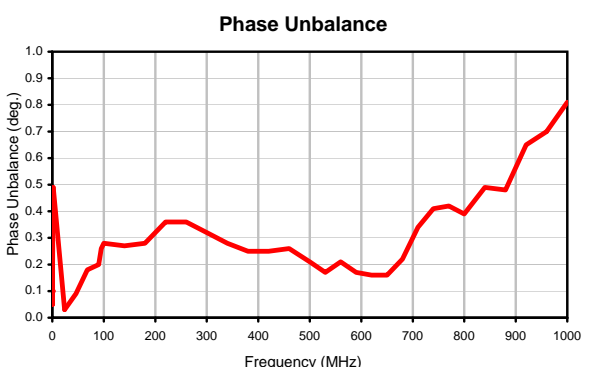
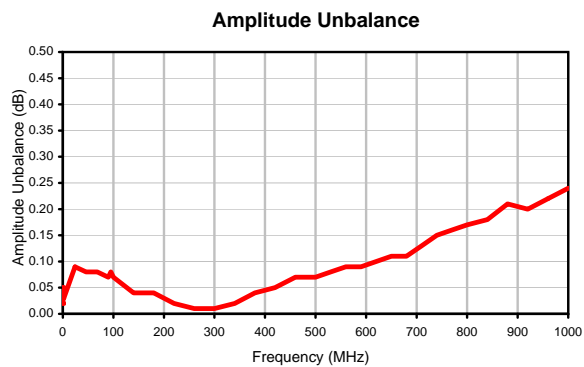
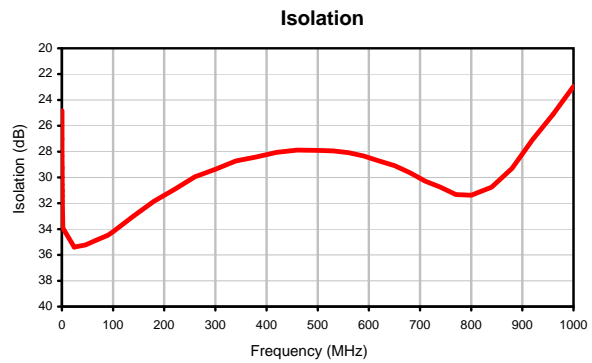
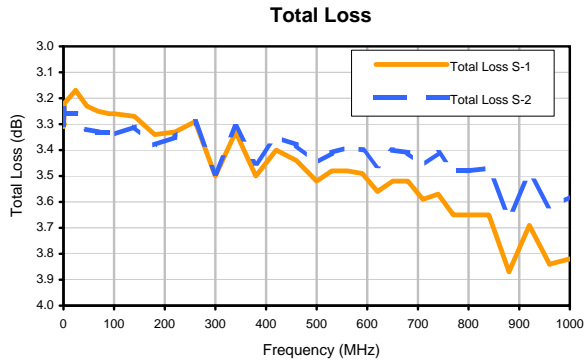
FREQ. (MHz)	TOTAL LOSS ¹ (dB)		AMP. UNBAL. (dB)	ISOLATION (dB)	PHASE UNBAL. (deg.)	FREQ. (MHz)	VSWR (:1)		
	S-1	S-2					S	1	2
0.2	3.31	3.30	0.02	24.83	0.10	0.2	1.17	1.41	1.39
0.3	3.30	3.28	0.02	27.03	0.10	0.3	1.12	1.32	1.30
0.4	3.30	3.27	0.03	28.34	0.05	0.4	1.09	1.29	1.27
0.5	3.29	3.26	0.03	29.26	0.05	0.5	1.08	1.27	1.25
0.6	3.29	3.24	0.05	29.97	0.11	0.6	1.07	1.26	1.24
0.7	3.29	3.24	0.05	30.54	0.20	0.7	1.07	1.25	1.23
0.8	3.28	3.25	0.03	31.03	0.29	0.8	1.06	1.24	1.22
0.9	3.27	3.24	0.03	31.46	0.34	0.9	1.06	1.23	1.21
1.0	3.26	3.24	0.03	31.83	0.36	1.0	1.06	1.23	1.21
2.0	3.22	3.26	0.03	33.92	0.49	2.0	1.05	1.20	1.18
24.0	3.17	3.26	0.09	35.39	0.03	24.0	1.08	1.14	1.13
46.0	3.23	3.32	0.08	35.23	0.09	46.0	1.12	1.08	1.10
68.0	3.25	3.33	0.08	34.84	0.18	68.0	1.14	1.10	1.10
90.0	3.26	3.33	0.07	34.47	0.20	90.0	1.14	1.15	1.14
95.0	3.26	3.34	0.08	34.34	0.26	95.0	1.14	1.16	1.15
100.0	3.26	3.34	0.07	34.20	0.28	100.0	1.13	1.17	1.15
140.0	3.27	3.31	0.04	32.99	0.27	140.0	1.12	1.13	1.14
180.0	3.34	3.38	0.04	31.85	0.28	180.0	1.18	1.13	1.13
220.0	3.33	3.35	0.02	30.93	0.36	220.0	1.19	1.18	1.17
260.0	3.29	3.29	0.01	29.95	0.36	260.0	1.18	1.14	1.16
300.0	3.50	3.49	0.01	29.37	0.32	300.0	1.22	1.18	1.17
340.0	3.33	3.31	0.02	28.72	0.28	340.0	1.22	1.20	1.19
380.0	3.50	3.45	0.04	28.42	0.25	380.0	1.22	1.17	1.18
420.0	3.40	3.35	0.05	28.06	0.25	420.0	1.25	1.22	1.20
460.0	3.44	3.38	0.07	27.88	0.26	460.0	1.23	1.21	1.21
500.0	3.52	3.45	0.07	27.91	0.21	500.0	1.24	1.21	1.20
530.0	3.48	3.41	0.08	27.94	0.17	530.0	1.26	1.25	1.21
560.0	3.48	3.39	0.09	28.08	0.21	560.0	1.25	1.24	1.22
590.0	3.49	3.40	0.09	28.34	0.17	590.0	1.22	1.22	1.21
620.0	3.56	3.46	0.10	28.72	0.16	620.0	1.24	1.25	1.21
650.0	3.52	3.40	0.11	29.08	0.16	650.0	1.25	1.27	1.22
680.0	3.52	3.41	0.11	29.63	0.22	680.0	1.23	1.25	1.22
710.0	3.59	3.46	0.13	30.28	0.34	710.0	1.21	1.25	1.22
740.0	3.57	3.41	0.15	30.76	0.41	740.0	1.23	1.28	1.22
770.0	3.65	3.48	0.16	31.32	0.42	770.0	1.23	1.28	1.22
800.0	3.65	3.48	0.17	31.37	0.39	800.0	1.20	1.26	1.22
840.0	3.65	3.47	0.18	30.75	0.49	840.0	1.19	1.28	1.22
880.0	3.87	3.66	0.21	29.29	0.48	880.0	1.20	1.29	1.22
920.0	3.69	3.49	0.20	27.07	0.65	920.0	1.17	1.26	1.21
960.0	3.84	3.62	0.22	25.12	0.70	960.0	1.16	1.29	1.21
1000.0	3.82	3.58	0.24	22.95	0.81	1000.0	1.18	1.27	1.21

¹ Total Loss = Insertion Loss+ 3dB Splitter Loss

2 Way-0° Power Splitter/Combiner

ZFSC-2-4+

Typical Performance Curves



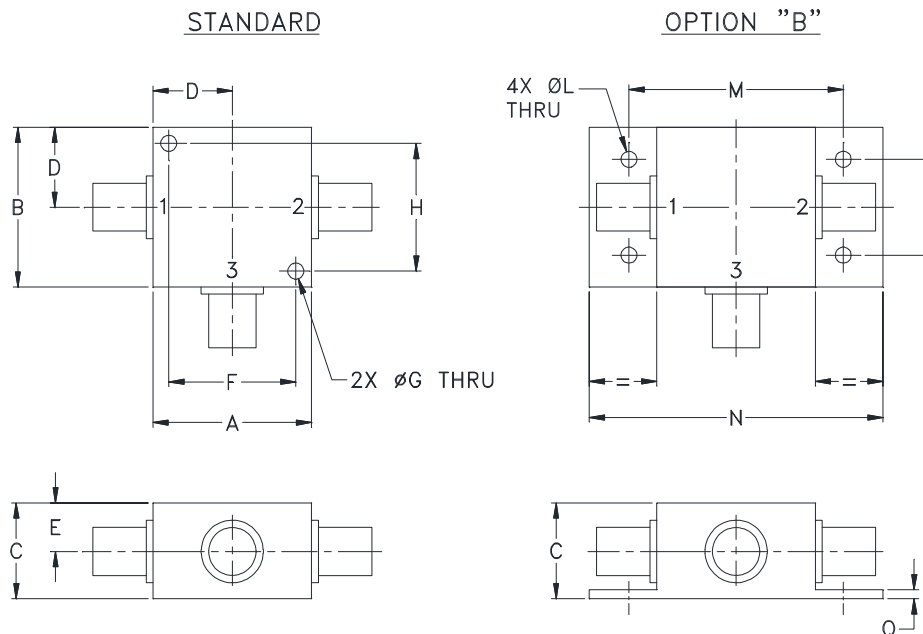
REV. X2
ZFSC-2-4+
100627
Page 1 of 1

Case Style

K

K18

Outline Dimensions



CASE#	A	B	C	D	E	F	G	H	J	K	L	M	N
K18	1.25 (31.75)	1.25 (31.75)	.75 (19.05)	.63 (16.00)	.38 (9.65)	1.000 (25.40)	.125 (3.18)	1.000 (25.40)	--	--	.125 (3.18)	1.688 (42.88)	2.18 (55.37)

CASE#	P	Q	WT. GRAMS
K18	.75 (19.05)	.07 (1.78)	70.0

Dimensions are in inches (mm). Tolerances: 2 Pl. \pm .03; 3 Pl. \pm .015

Notes:

- Case material: Aluminum alloy.
- Case finish:
For RoHS Case Styles: Clear chemical conversion coating, non-chrome or trivalent chrome based.
- Mounting bracket available on request. Add suffix B to part number.
- For port marking 1, 2, and 3 see specifications data sheet.
- For bracket version, option B, dimension "C" changes from .75 to .94 inches when connectors are type N.
- Refer to the individual model data sheet for the type of connectors available.

Mini-Circuits®

INTERNET <http://www.minicircuits.com>

P.O. Box 350166, Brooklyn, New York 11235-0003 (718) 934-4500 Fax (718) 332-4661

Distribution Centers NORTH AMERICA 800-654-7949 • 417-335-5935 • Fax 417-335-5945 • EUROPE 44-1252-832600 • Fax 44-1252-837010

Mini-Circuits ISO 9001 & ISO 14001 Certified

All Mini-Circuits products are manufactured under exacting quality assurance and control standards, and are capable of meeting published specifications after being subjected to any or all of the following physical and environmental test.

Specification	Test/Inspection Condition	Reference/Spec
Operating Temperature	-55° to 100°C Ambient Environment	Individual Model Data Sheet
Storage Temperature	-55° to 100° C Ambient Environment	Individual Model Data Sheet
Barometric Pressure	100,000 Feet	MIL-STD-202, Method 105, Condition D
Humidity	90% RH, 65°C Units may require bake-out after humidity to restore full performance.	MIL-STD-202, Method 103
Thermal Shock	-65° to 125°C, 5 cycles	MIL-STD-202, Method 107, Condition B
Vibration (High Frequency)	20g peak, 10-2000 Hz, 12 times in each of three perpendicular directions (total 36)	MIL-STD-202, Method 204, Condition D
Mechanical Shock	100g, 6ms sawtooth, 3 shocks each direction 3 axes (total 18)	MIL-STD-202, Method 213, Condition I