

Coaxial

Power Splitter/Combiner

ZFSC-2-2+

2 Way-0° 50Ω 10 to 1000 MHz



Generic photo used for illustration purposes only
CASE STYLE: K18

| Connectors | Model |
|----------------------|-------------|
| BNC | ZFSC-2-2+ |
| SMA | ZFSC-2-2-S+ |
| N-TYPE | ZFSC-2-2-N+ |
| BRACKET (OPTION "B") | |

+RoHS Compliant

The +Suffix identifies RoHS Compliance. See our web site for RoHS Compliance methodologies and qualifications

Maximum Ratings

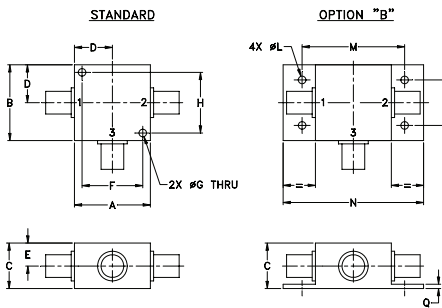
| | |
|-----------------------------|----------------|
| Operating Temperature | -55°C to 100°C |
| Storage Temperature | -55°C to 100°C |
| Power Input (as a splitter) | 1W max. |
| Internal Dissipation | 0.125W max. |

Permanent damage may occur if any of these limits are exceeded.

Coaxial Connections

| | |
|----------|---|
| SUM PORT | 3 |
| PORT 1 | 1 |
| PORT 2 | 2 |

Outline Drawing



Outline Dimensions (inch/mm)

| | | | | | | | | | | | | | | | |
|-------|-------|-------|-------|------|-------|------|-------|----|----|------|-------|-------|-------|------|-------|
| A | B | C | D | E | F | G | H | J | K | L | M | N | P | Q | wt |
| 1.25 | 1.25 | .75 | .63 | .38 | 1.00 | .125 | 1.000 | -- | -- | .125 | 1.688 | 2.18 | .75 | .07 | grams |
| 31.75 | 31.75 | 19.05 | 16.00 | 9.65 | 25.40 | 3.18 | 25.40 | -- | -- | 3.18 | 42.88 | 55.37 | 19.05 | 1.78 | 70.0 |

For option B with N-type connectors, dimension "C" increases to 0.94 inches.

Features

- wideband, 10 to 1000 MHz
- low insertion loss, 0.4 dB typ.
- excellent isolation, 28 dB typ.
- excellent amplitude unbalance, 0.1 dB typ.
- excellent phase unbalance, 0.5 deg. typ.
- very good return loss, VSWR, 1.2:1 typ.
- rugged shielded case

Applications

- cellular
- VHF/UHF
- instrumentation

Electrical Specifications

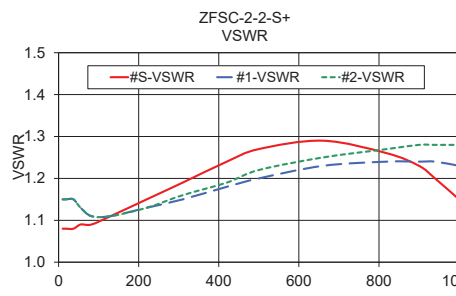
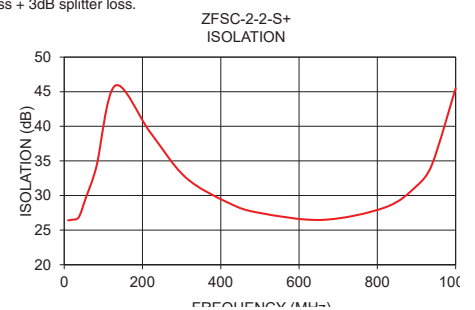
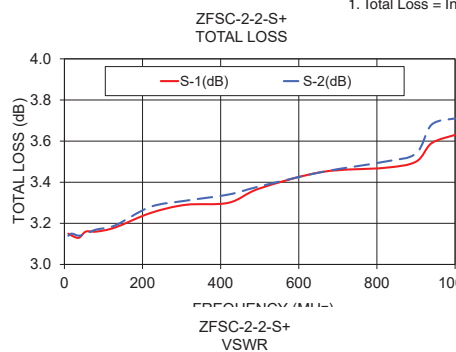
| FREQ. RANGE (MHz) | ISOLATION (dB) | | | INSERTION LOSS (dB) ABOVE 3.0 dB | | | PHASE UNBALANCE (Degrees) | | | AMPLITUDE UNBALANCE (dB) | | | | | | | | |
|-------------------|----------------|----|----|----------------------------------|----|----|---------------------------|-----|-----|--------------------------|-----|-----|---|---|---|------|------|------|
| | L | M | U | L | M | U | L | M | U | L | M | U | | | | | | |
| 10-1000 | 30 | 20 | 25 | 20 | 23 | 18 | 0.2 | 0.5 | 0.5 | 1.0 | 0.9 | 1.2 | 2 | 4 | 4 | 0.15 | 0.15 | 0.30 |

L = low range [f_L to 10 f_L] M = mid range [$10 f_L$ to $f_U/2$] U = upper range [$f_U/2$ to f_U]

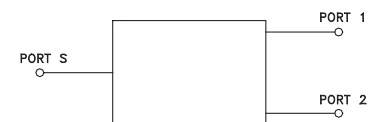
Typical Performance Data

| Frequency (MHz) | Total Loss ¹ (dB) | | Amplitude Unbalance (dB) | Isolation (dB) | Phase Unbalance (deg.) | VSWR S | VSWR 1 | VSWR 2 |
|-----------------|------------------------------|------|--------------------------|----------------|------------------------|--------|--------|--------|
| | S-1 | S-2 | | | | | | |
| 10.00 | 3.15 | 3.14 | 0.01 | 26.42 | 0.03 | 1.08 | 1.15 | 1.15 |
| 19.00 | 3.14 | 3.15 | 0.00 | 26.49 | 0.01 | 1.08 | 1.15 | 1.15 |
| 37.00 | 3.13 | 3.14 | 0.01 | 26.85 | 0.03 | 1.08 | 1.15 | 1.15 |
| 55.00 | 3.16 | 3.15 | 0.01 | 29.63 | 0.06 | 1.09 | 1.13 | 1.13 |
| 82.00 | 3.16 | 3.17 | 0.01 | 34.12 | 0.00 | 1.09 | 1.11 | 1.11 |
| 130.00 | 3.18 | 3.19 | 0.01 | 45.87 | 0.00 | 1.11 | 1.11 | 1.11 |
| 220.00 | 3.25 | 3.28 | 0.03 | 39.11 | 0.03 | 1.15 | 1.13 | 1.13 |
| 310.00 | 3.29 | 3.31 | 0.02 | 32.63 | 0.15 | 1.19 | 1.15 | 1.16 |
| 420.00 | 3.30 | 3.34 | 0.04 | 28.93 | 0.22 | 1.24 | 1.18 | 1.19 |
| 500.00 | 3.37 | 3.38 | 0.01 | 27.48 | 0.37 | 1.27 | 1.20 | 1.22 |
| 660.00 | 3.45 | 3.45 | 0.00 | 26.48 | 0.31 | 1.29 | 1.23 | 1.25 |
| 820.00 | 3.47 | 3.50 | 0.03 | 28.28 | 0.87 | 1.26 | 1.24 | 1.27 |
| 900.00 | 3.50 | 3.54 | 0.04 | 31.36 | 0.87 | 1.23 | 1.24 | 1.28 |
| 940.00 | 3.59 | 3.68 | 0.08 | 34.52 | 0.52 | 1.20 | 1.24 | 1.28 |
| 1000.00 | 3.63 | 3.71 | 0.08 | 45.49 | 0.51 | 1.15 | 1.23 | 1.28 |

1. Total Loss = Insertion Loss + 3dB splitter loss.



electrical schematic



Notes

- Performance and quality attributes and conditions not expressly stated in this specification document are intended to be excluded and do not form a part of this specification document.
- Electrical specifications and performance data contained in this specification document are based on Mini-Circuit's applicable established test performance criteria and measurement instructions.
- The parts covered by this specification document are subject to Mini-Circuit's standard limited warranty and terms and conditions (collectively, "Standard Terms"); Purchasers of this part are entitled to the rights and benefits contained therein. For a full statement of the Standard Terms and the exclusive rights and remedies thereunder, please visit Mini-Circuit's website at www.minicircuits.com/MCLStore/terms.jsp



2 Way-0° Power Splitter/Combiner

ZFSC-2-2+

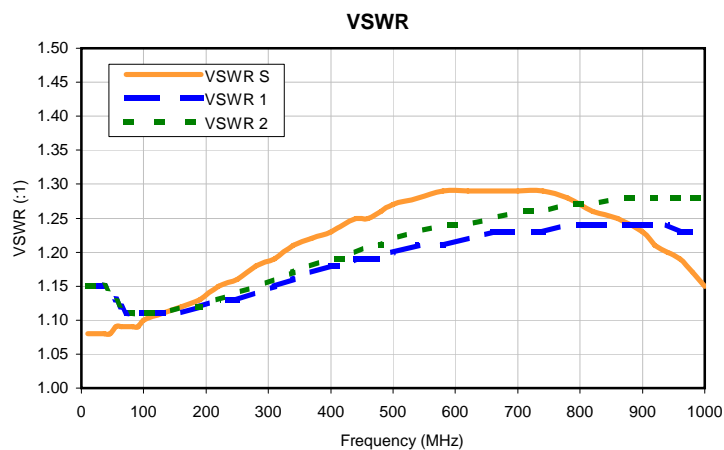
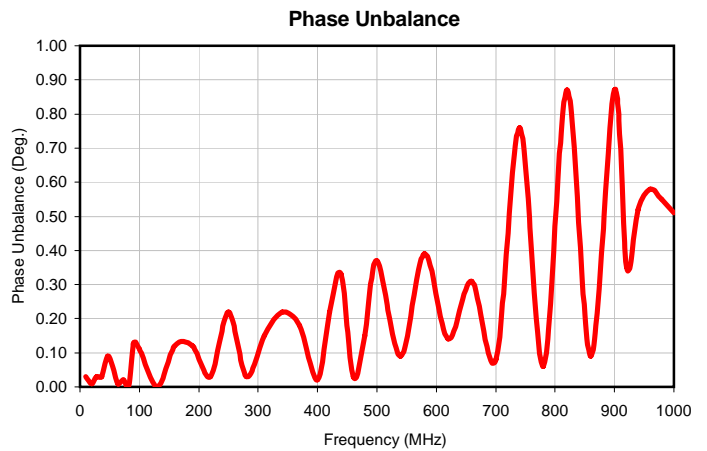
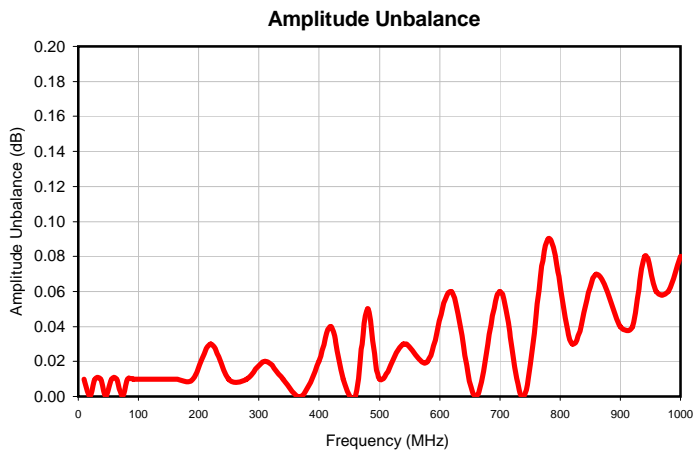
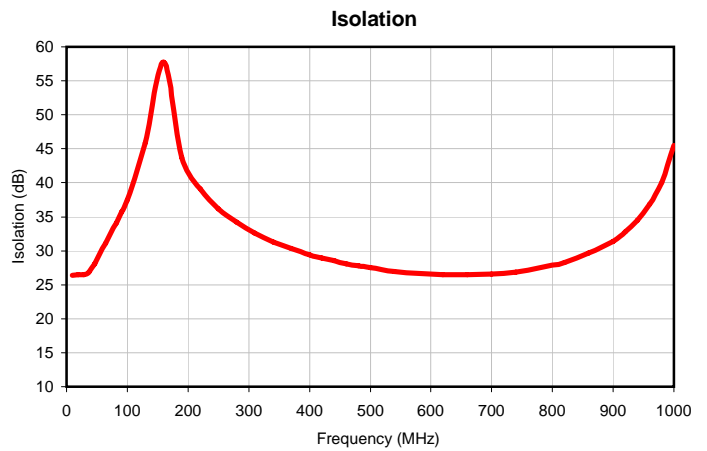
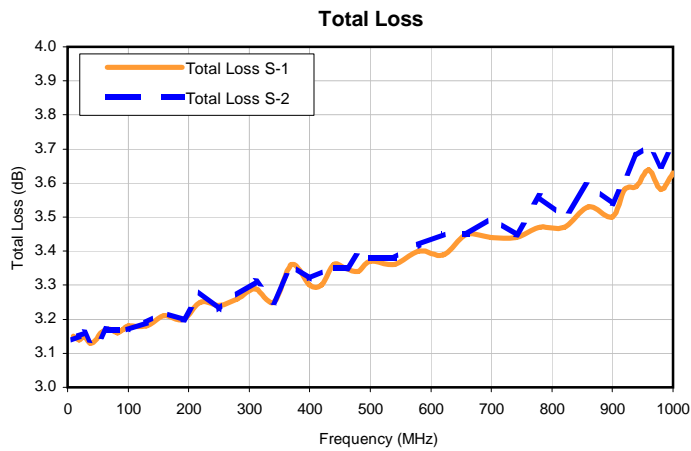
Typical Performance Data

| FREQ. (MHz) | TOTAL LOSS ¹ | | AMP. UNBAL. (dB) | ISOLATION (dB) | PHASE UNBAL. (Deg.) | FREQ. (MHz) | VSWR | | |
|----------------|-------------------------|------|------------------------|-------------------|---------------------------|----------------|------|------|------|
| | (dB) | | | | | | S | 1 | 2 |
| | S-1 | S-2 | | | | | | | |
| 10.0 | 3.15 | 3.14 | 0.01 | 26.42 | 0.03 | 10.0 | 1.08 | 1.15 | 1.15 |
| 19.0 | 3.14 | 3.15 | 0.00 | 26.49 | 0.01 | 19.0 | 1.08 | 1.15 | 1.15 |
| 28.0 | 3.15 | 3.16 | 0.01 | 26.48 | 0.03 | 28.0 | 1.08 | 1.15 | 1.15 |
| 37.0 | 3.13 | 3.14 | 0.01 | 26.85 | 0.03 | 37.0 | 1.08 | 1.15 | 1.15 |
| 46.0 | 3.14 | 3.14 | 0.00 | 28.07 | 0.09 | 46.0 | 1.08 | 1.14 | 1.14 |
| 55.0 | 3.16 | 3.15 | 0.01 | 29.63 | 0.06 | 55.0 | 1.09 | 1.13 | 1.13 |
| 64.0 | 3.17 | 3.17 | 0.01 | 31.11 | 0.01 | 64.0 | 1.09 | 1.12 | 1.12 |
| 73.0 | 3.17 | 3.17 | 0.00 | 32.61 | 0.02 | 73.0 | 1.09 | 1.11 | 1.12 |
| 82.0 | 3.16 | 3.17 | 0.01 | 34.12 | 0.00 | 82.0 | 1.09 | 1.11 | 1.11 |
| 91.0 | 3.17 | 3.18 | 0.01 | 35.74 | 0.13 | 91.0 | 1.09 | 1.11 | 1.11 |
| 100.0 | 3.18 | 3.17 | 0.01 | 37.54 | 0.11 | 100.0 | 1.10 | 1.11 | 1.11 |
| 130.0 | 3.18 | 3.19 | 0.01 | 45.87 | 0.00 | 130.0 | 1.11 | 1.11 | 1.11 |
| 160.0 | 3.21 | 3.22 | 0.01 | 57.73 | 0.12 | 160.0 | 1.12 | 1.11 | 1.12 |
| 190.0 | 3.20 | 3.20 | 0.01 | 43.74 | 0.12 | 190.0 | 1.13 | 1.12 | 1.12 |
| 220.0 | 3.25 | 3.28 | 0.03 | 39.11 | 0.03 | 220.0 | 1.15 | 1.13 | 1.13 |
| 250.0 | 3.24 | 3.23 | 0.01 | 36.19 | 0.22 | 250.0 | 1.16 | 1.13 | 1.14 |
| 280.0 | 3.26 | 3.27 | 0.01 | 34.20 | 0.03 | 280.0 | 1.18 | 1.14 | 1.15 |
| 310.0 | 3.29 | 3.31 | 0.02 | 32.63 | 0.15 | 310.0 | 1.19 | 1.15 | 1.16 |
| 340.0 | 3.25 | 3.25 | 0.01 | 31.32 | 0.22 | 340.0 | 1.21 | 1.16 | 1.17 |
| 370.0 | 3.36 | 3.36 | 0.00 | 30.37 | 0.18 | 370.0 | 1.22 | 1.17 | 1.18 |
| 400.0 | 3.30 | 3.32 | 0.02 | 29.44 | 0.02 | 400.0 | 1.23 | 1.18 | 1.19 |
| 420.0 | 3.30 | 3.34 | 0.04 | 28.93 | 0.22 | 420.0 | 1.24 | 1.18 | 1.19 |
| 440.0 | 3.36 | 3.35 | 0.01 | 28.52 | 0.33 | 440.0 | 1.25 | 1.19 | 1.20 |
| 460.0 | 3.35 | 3.35 | 0.00 | 28.10 | 0.03 | 460.0 | 1.25 | 1.19 | 1.21 |
| 480.0 | 3.34 | 3.39 | 0.05 | 27.79 | 0.15 | 480.0 | 1.26 | 1.19 | 1.21 |
| 500.0 | 3.37 | 3.38 | 0.01 | 27.48 | 0.37 | 500.0 | 1.27 | 1.20 | 1.22 |
| 540.0 | 3.36 | 3.38 | 0.03 | 26.97 | 0.09 | 540.0 | 1.28 | 1.21 | 1.23 |
| 580.0 | 3.40 | 3.42 | 0.02 | 26.68 | 0.39 | 580.0 | 1.29 | 1.21 | 1.24 |
| 620.0 | 3.39 | 3.45 | 0.06 | 26.48 | 0.14 | 620.0 | 1.29 | 1.22 | 1.24 |
| 660.0 | 3.45 | 3.45 | 0.00 | 26.48 | 0.31 | 660.0 | 1.29 | 1.23 | 1.25 |
| 700.0 | 3.44 | 3.50 | 0.06 | 26.61 | 0.08 | 700.0 | 1.29 | 1.23 | 1.26 |
| 740.0 | 3.44 | 3.45 | 0.00 | 26.90 | 0.76 | 740.0 | 1.29 | 1.23 | 1.26 |
| 780.0 | 3.47 | 3.56 | 0.09 | 27.51 | 0.06 | 780.0 | 1.28 | 1.24 | 1.27 |
| 820.0 | 3.47 | 3.50 | 0.03 | 28.28 | 0.87 | 820.0 | 1.26 | 1.24 | 1.27 |
| 860.0 | 3.53 | 3.60 | 0.07 | 29.64 | 0.09 | 860.0 | 1.25 | 1.24 | 1.28 |
| 900.0 | 3.50 | 3.54 | 0.04 | 31.36 | 0.87 | 900.0 | 1.23 | 1.24 | 1.28 |
| 920.0 | 3.58 | 3.61 | 0.04 | 32.75 | 0.35 | 920.0 | 1.21 | 1.24 | 1.28 |
| 940.0 | 3.59 | 3.68 | 0.08 | 34.52 | 0.52 | 940.0 | 1.20 | 1.24 | 1.28 |
| 960.0 | 3.64 | 3.71 | 0.06 | 36.82 | 0.58 | 960.0 | 1.19 | 1.23 | 1.28 |
| 980.0 | 3.58 | 3.65 | 0.06 | 40.07 | 0.55 | 980.0 | 1.17 | 1.23 | 1.28 |
| 1000.0 | 3.63 | 3.71 | 0.08 | 45.49 | 0.51 | 1000.0 | 1.15 | 1.23 | 1.28 |

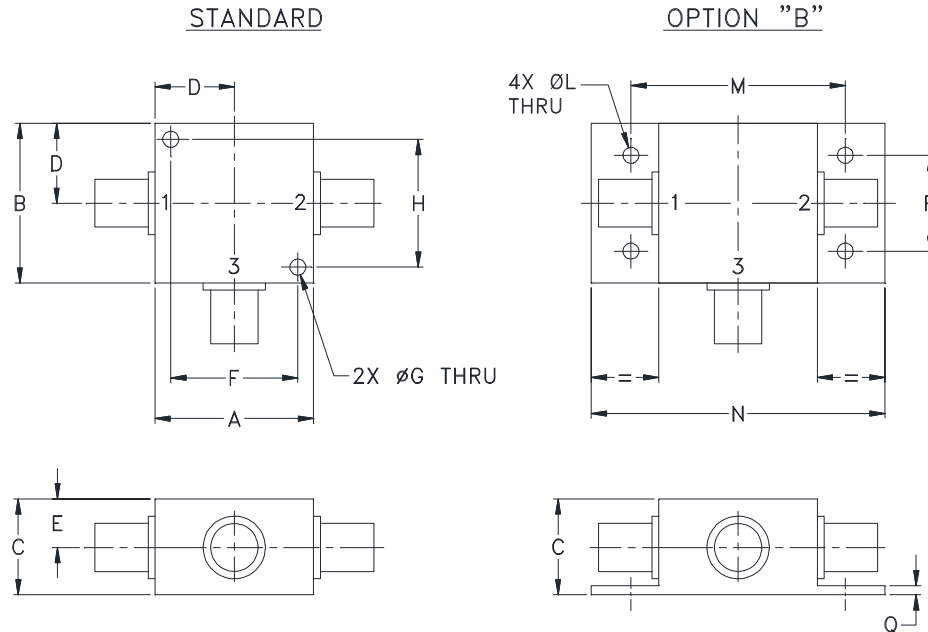
¹Total Loss = Insertion Loss + 3dB Splitter Loss



Typical Performance Curves



Outline Dimensions



| CASE# | A | B | C | D | E | F | G | H | J | K | L | M | N |
|-------|-----------------|-----------------|----------------|----------------|---------------|------------------|----------------|------------------|----|----|----------------|------------------|-----------------|
| K18 | 1.25 (31.75) | 1.25 (31.75) | .75 (19.05) | .63 (16.00) | .38 (9.65) | 1.000 (25.40) | .125 (3.18) | 1.000 (25.40) | -- | -- | .125 (3.18) | 1.688 (42.88) | 2.18 (55.37) |

| CASE# | P | Q | WT. GRAMS |
|-------|----------------|---------------|-----------|
| K18 | .75 (19.05) | .07 (1.78) | 70.0 |

Dimensions are in inches (mm). Tolerances: 2 Pl. $\pm .03$; 3 Pl. $\pm .015$

Notes:

- Case material: Aluminum alloy.
- Case finish:
For RoHS Case Styles: Clear chemical conversion coating, non-chrome or trivalent chrome based.
- Mounting bracket available on request. Add suffix B to part number.
- For port marking 1, 2, and 3 see specifications data sheet.
- For bracket version, option B, dimension "C" changes from .75 to .94 inches when connectors are type N.
- Refer to the individual model data sheet for the type of connectors available.

Mini-Circuits[®]

INTERNET <http://www.minicircuits.com>

P.O. Box 350166, Brooklyn, New York 11235-0003 (718) 934-4500 Fax (718) 332-4661

Distribution Centers NORTH AMERICA 800-654-7949 • 417-335-5935 • Fax 417-335-5945 • EUROPE 44-1252-832600 • Fax 44-1252-837010

Mini-Circuits ISO 9001 & ISO 14001 Certified



All Mini-Circuits products are manufactured under exacting quality assurance and control standards, and are capable of meeting published specifications after being subjected to any or all of the following physical and environmental test.

| Specification | Test/Inspection Condition | Reference/Spec |
|----------------------------|--|--------------------------------------|
| Operating Temperature | -55° to 100°C Ambient Environment | Individual Model Data Sheet |
| Storage Temperature | -55° to 100° C Ambient Environment | Individual Model Data Sheet |
| Barometric Pressure | 100,000 Feet | MIL-STD-202, Method 105, Condition D |
| Humidity | 90% RH, 65°C Units may require bake-out after humidity to restore full performance. | MIL-STD-202, Method 103 |
| Thermal Shock | -65° to 125°C, 5 cycles | MIL-STD-202, Method 107, Condition B |
| Vibration (High Frequency) | 20g peak, 10-2000 Hz, 12 times in each of three perpendicular directions (total 36) | MIL-STD-202, Method 204, Condition D |
| Mechanical Shock | 100g, 6ms sawtooth, 3 shocks each direction 3 axes (total 18) | MIL-STD-202, Method 213, Condition I |